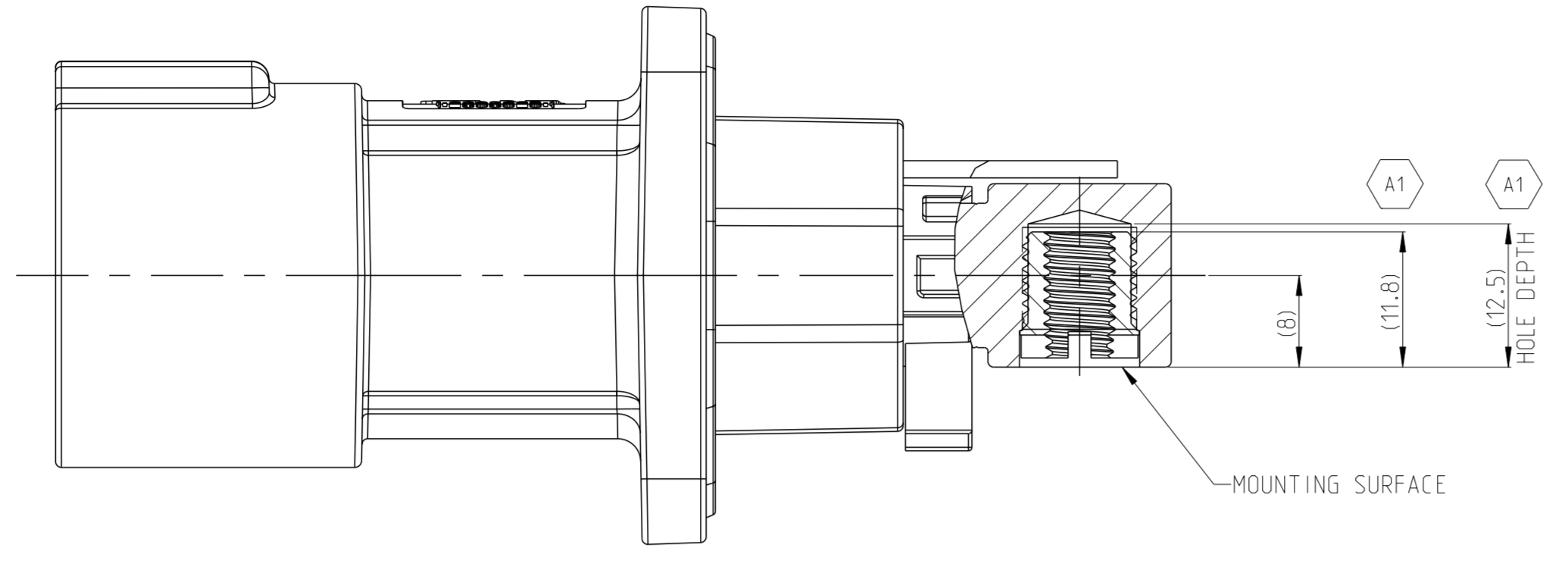
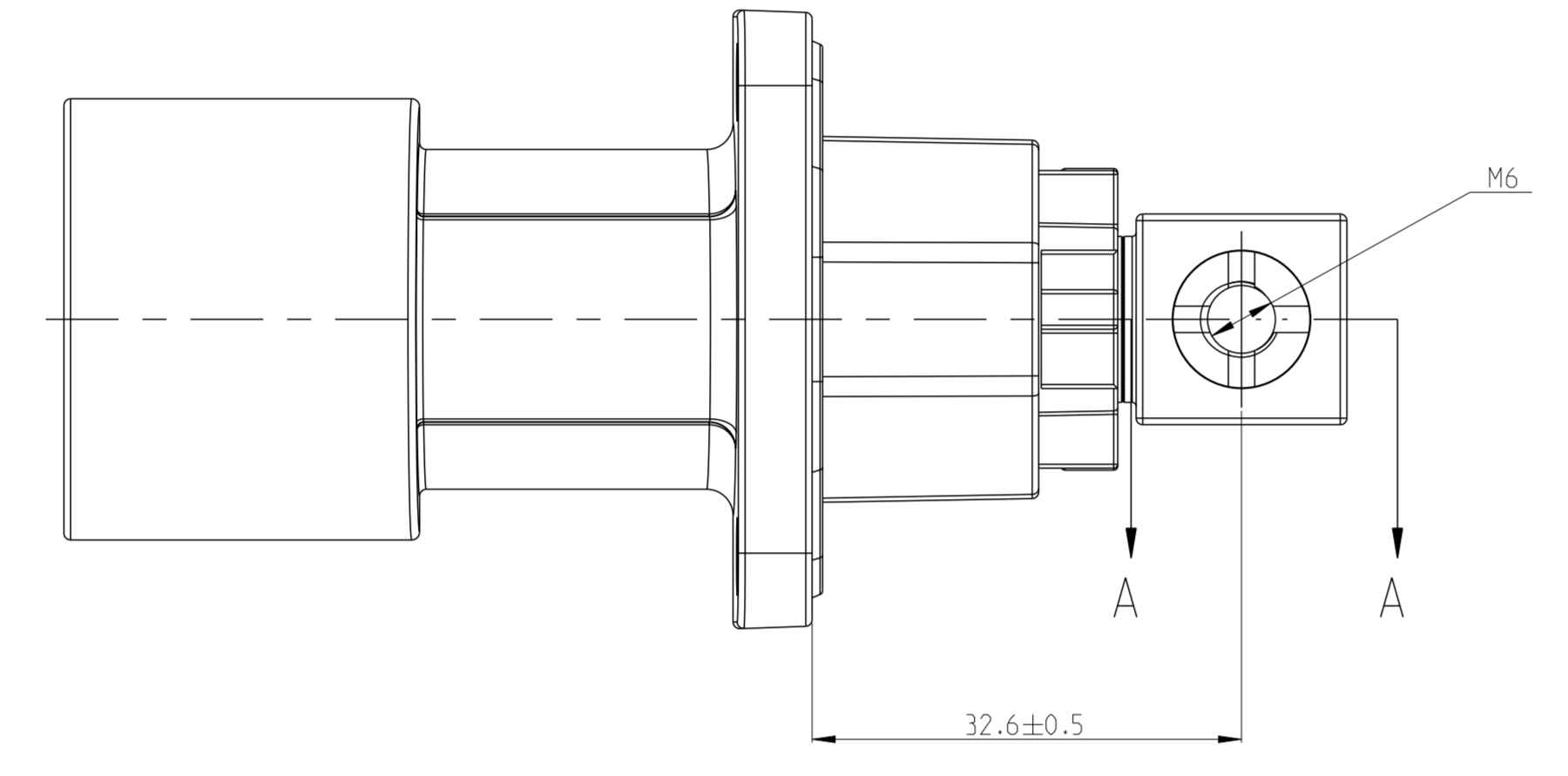


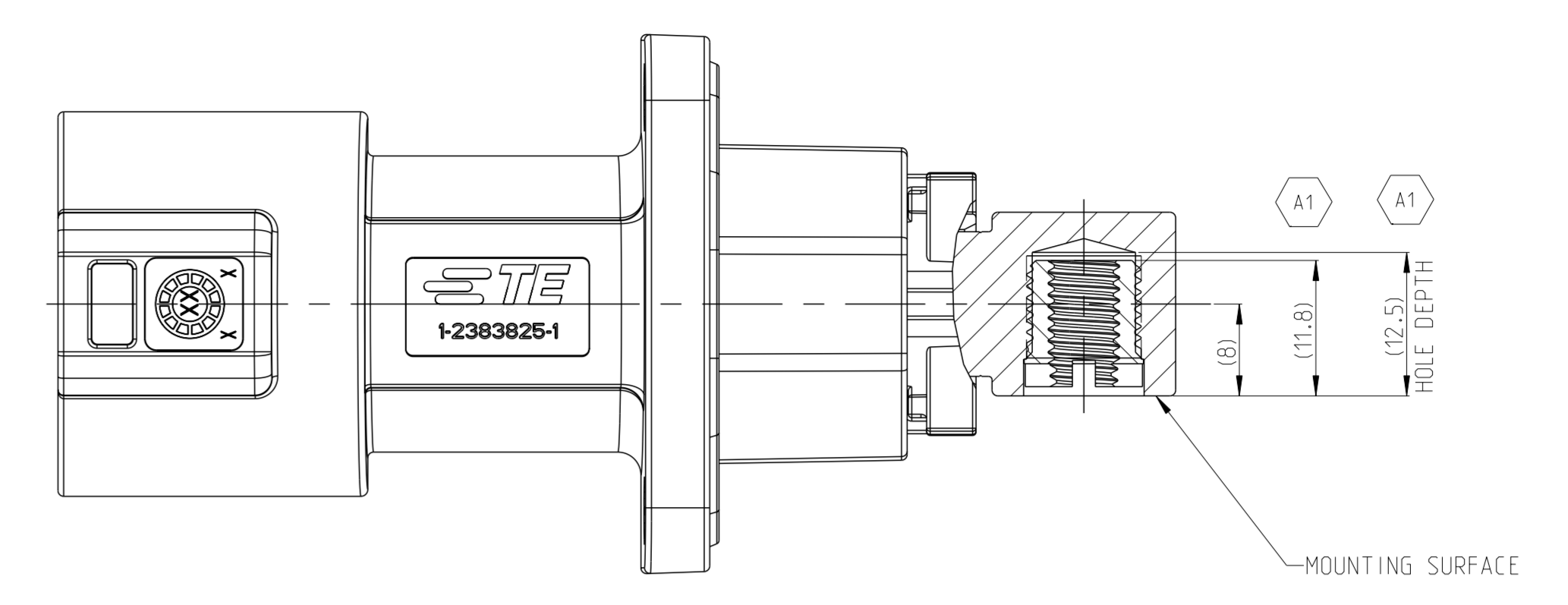
REVISIONS			
REV	DATE	BY	APPV
1			
SEE SHEET 1			



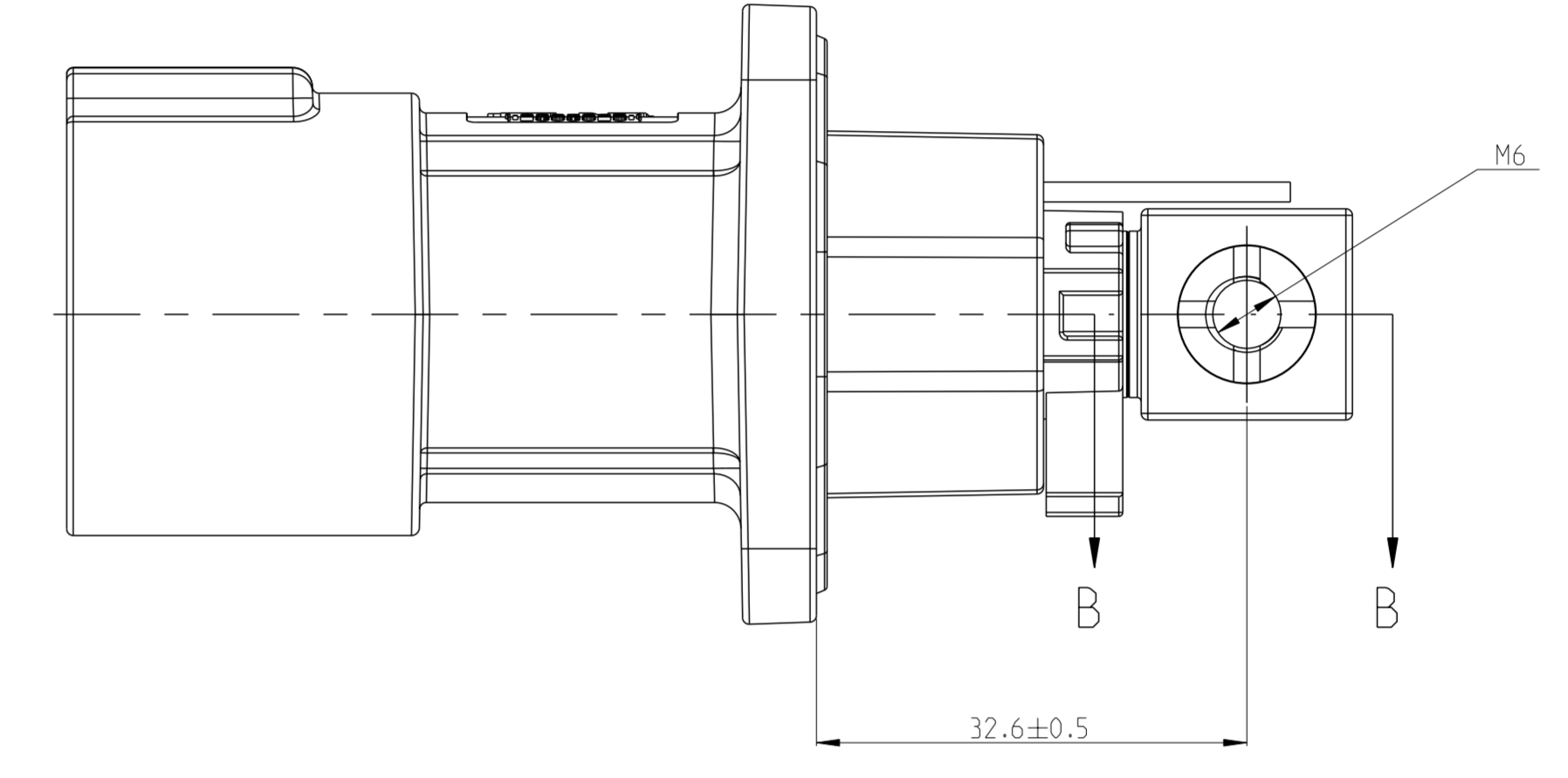
SECTION A-A



1. MISSING DIMENSIONS REFER TO 8-2394060-1



SECTION B-B



1. MISSING DIMENSIONS REFER TO 8-2394060-1

TE-ASSY-NO.	CODE	DESCRIPTION	DESCRIPTION	CODE	MATERIAL	SURFACE COLOR	WEIGHT (g)	QTY	ITEM
1-2394060-3	M	1POS.PIN DIA 10.0 HDR ASSY.180DEG	CODE HOUSING FOLLOW 2394060-1	M	PA66-GF	AQUA RED	(140)	1	7
								-	1-6
1-2394060-2	L	1POS.PIN DIA 10.0 HDR ASSY.180DEG	CODE HOUSING FOLLOW 2394060-1	L	PA66-GF	AQUA BROWN	(140)	1	7
								-	1-6
1-2394060-1	K	1POS.PIN DIA 10.0 HDR ASSY.180DEG	CODE HOUSING FOLLOW 2394060-1	K	PA66-GF	AQUA GREEN	(140)	1	7
								-	1-6
2394060-9	J	1POS.PIN DIA 10.0 HDR ASSY.180DEG	CODE HOUSING FOLLOW 2394060-1	J	PA66-GF	ORANGE	(140)	1	7
								-	1-6
2394060-8	H	1POS.PIN DIA 10.0 HDR ASSY.180DEG	CODE HOUSING FOLLOW 2394060-1	H	PA66-GF	YELLOW	(140)	1	7
								-	1-6
2394060-7	G	1POS.PIN DIA 10.0 HDR ASSY.180DEG	CODE HOUSING FOLLOW 2394060-1	G	PA66-GF	RED	(140)	1	7
								-	1-6
2394060-6	F	1POS.PIN DIA 10.0 HDR ASSY.180DEG	CODE HOUSING FOLLOW 2394060-1	F	PA66-GF	BROWN	(140)	1	7
								-	1-6
2394060-5	E	1POS.PIN DIA 10.0 HDR ASSY.180DEG	CODE HOUSING FOLLOW 2394060-1	E	PA66-GF	GREEN	(140)	1	7
								-	1-6
2394060-4	D	1POS.PIN DIA 10.0 HDR ASSY.180DEG	CODE HOUSING FOLLOW 2394060-1	D	PA66-GF	PURPLE	(140)	1	7
								-	1-6
2394060-3	C	1POS.PIN DIA 10.0 HDR ASSY.180DEG	CODE HOUSING FOLLOW 2394060-1	C	PA66-GF	BLUE	(140)	1	7
								-	1-6
2394060-2	B	1POS.PIN DIA 10.0 HDR ASSY.180DEG	CODE HOUSING FOLLOW 2394060-1	B	PA66-GF	NATURE	(140)	1	7
								-	1-6
2394060-1	A	1POS.PIN DIA 10.0 HDR ASSY.180DEG	CODE HOUSING	A	PA66-GF	BLACK	(140)	1	7
			HV INTERLOCK TERMINAL WIRE	-	-	-		2	6
			FACE SEAL	-	SILICONE	RED		1	5
			BUSBAR, FRONT SIDE	-	COPPER	Ag PLATED		1	4
			HEADER TPA	-	PA66-GF	RED		1	3
			FINGER PROTECTION CAP	-	PA66-GF	BLACK		1	2
			HEADER HOUSING 180DEG	-	AL-ALLOY	NICKEL PLATED		1	1

TE-ASSY-NO.	CODE	DESCRIPTION	DESCRIPTION	CODE	MATERIAL	SURFACE COLOR	WEIGHT (g)	QTY	ITEM
3-2394060-3	M	1POS.PIN DIA 10.0 HDR ASSY.180DEG	CODE HOUSING FOLLOW 2-2394060-1	M	PA66-GF	AQUA RED	(140)	1	7
								-	1-6
3-2394060-2	L	1POS.PIN DIA 10.0 HDR ASSY.180DEG	CODE HOUSING FOLLOW 2-2394060-1	L	PA66-GF	AQUA BROWN	(140)	1	7
								-	1-6
3-2394060-1	K	1POS.PIN DIA 10.0 HDR ASSY.180DEG	CODE HOUSING FOLLOW 2-2394060-1	K	PA66-GF	AQUA GREEN	(140)	1	7
								-	1-6
2-2394060-9	J	1POS.PIN DIA 10.0 HDR ASSY.180DEG	CODE HOUSING FOLLOW 2-2394060-1	J	PA66-GF	ORANGE	(140)	1	7
								-	1-6
2-2394060-8	H	1POS.PIN DIA 10.0 HDR ASSY.180DEG	CODE HOUSING FOLLOW 2-2394060-1	H	PA66-GF	YELLOW	(140)	1	7
								-	1-6
2-2394060-7	G	1POS.PIN DIA 10.0 HDR ASSY.180DEG	CODE HOUSING FOLLOW 2-2394060-1	G	PA66-GF	RED	(140)	1	7
								-	1-6
2-2394060-6	F	1POS.PIN DIA 10.0 HDR ASSY.180DEG	CODE HOUSING FOLLOW 2-2394060-1	F	PA66-GF	BROWN	(140)	1	7
								-	1-6
2-2394060-5	E	1POS.PIN DIA 10.0 HDR ASSY.180DEG	CODE HOUSING FOLLOW 2-2394060-1	E	PA66-GF	GREEN	(140)	1	7
								-	1-6
2-2394060-4	D	1POS.PIN DIA 10.0 HDR ASSY.180DEG	CODE HOUSING FOLLOW 2-2394060-1	D	PA66-GF	PURPLE	(140)	1	7
								-	1-6
2-2394060-3	C	1POS.PIN DIA 10.0 HDR ASSY.180DEG	CODE HOUSING FOLLOW 2-2394060-1	C	PA66-GF	BLUE	(140)	1	7
								-	1-6
2-2394060-2	B	1POS.PIN DIA 10.0 HDR ASSY.180DEG	CODE HOUSING FOLLOW 2-2394060-1	B	PA66-GF	NATURE	(140)	1	7
								-	1-6
2-2394060-1	A	1POS.PIN DIA 10.0 HDR ASSY.180DEG	CODE HOUSING	A	PA66-GF	BLACK	(140)	1	7
			HV INTERLOCK TERMINAL WIRE	-	-	-		2	6
			FACE SEAL	-	SILICONE	RED		1	5
			BUSBAR, RIGHT SIDE	-	COPPER	Ag PLATED		1	4
			HEADER TPA	-	PA66-GF	RED		1	3
			FINGER PROTECTION CAP	-	PA66-GF	BLACK		1	2
			HEADER HOUSING 180DEG	-	AL-ALLOY	NICKEL PLATED		1	1

THIS DRAWING IS A CONTROLLED DOCUMENT.

DATE	31DEC2021
CHK	LL
DATE	31DEC2021
CHK	LL
DATE	31DEC2021
CHK	LL

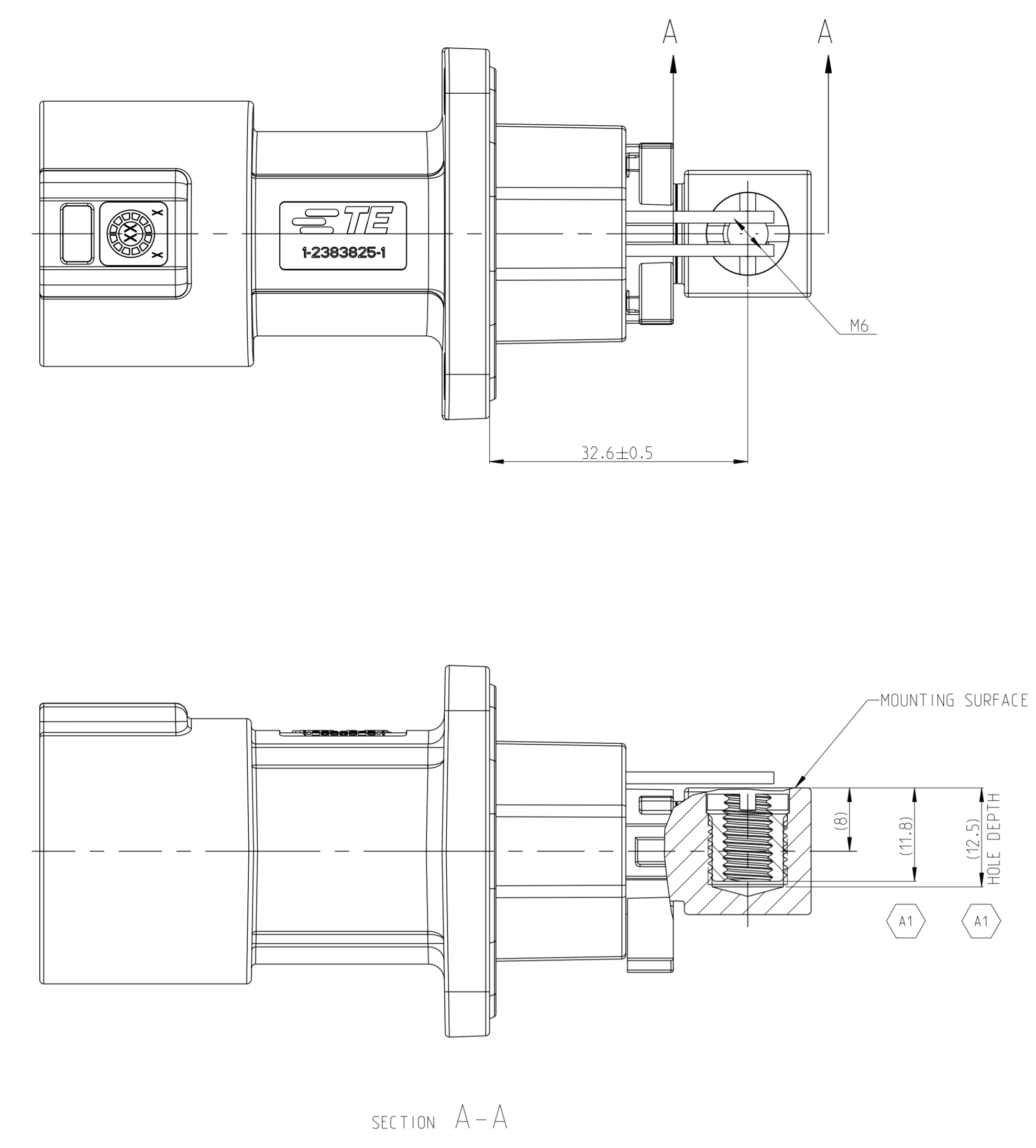
STE TE Connectivity

1POS.PIN DIA 10.0 HDR ASSY.180DEG
HVP-HD1000

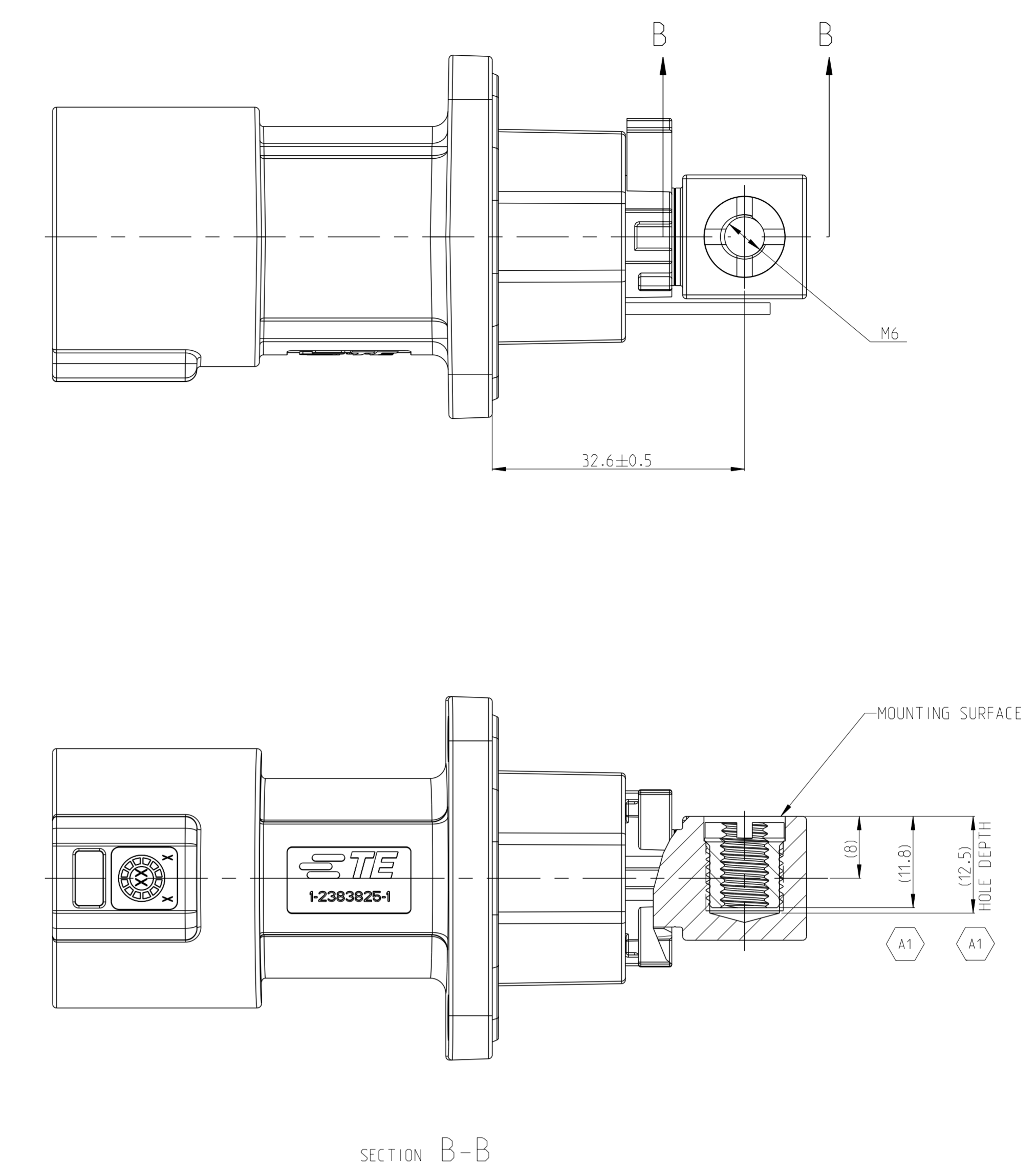
108-160341
APPLICATION SPEC 114-160181

SCALE 2:1 SHEET 2 OF 5

REVISIONS			
REV	DATE	BY	APPV
1			
SEE SHEET 1			



1. MISSING DIMENSIONS REFER TO 8-2394060-1



1. MISSING DIMENSIONS REFER TO 8-2394060-1

TE-ASSY-NO.	CODE	DESCRIPTION	DESCRIPTION	CODE	MATERIAL	SURFACE COLOR	WEIGHT (g)	QTY	ITEM
5-2394060-3	M	1POS.PIN DIA 10.0 HDR ASSY,180DEG	CODE HOUSING FOLLOW 4-2394060-1	M	PA66-GF	AQUA RED	(14.0)	1	7
5-2394060-2	L	1POS.PIN DIA 10.0 HDR ASSY,180DEG	CODE HOUSING FOLLOW 4-2394060-1	L	PA66-GF	AQUA BROWN	(14.0)	1	7
5-2394060-1	K	1POS.PIN DIA 10.0 HDR ASSY,180DEG	CODE HOUSING FOLLOW 4-2394060-1	K	PA66-GF	AQUA GREEN	(14.0)	1	7
4-2394060-9	J	1POS.PIN DIA 10.0 HDR ASSY,180DEG	CODE HOUSING FOLLOW 4-2394060-1	J	PA66-GF	ORANGE	(14.0)	1	7
4-2394060-8	H	1POS.PIN DIA 10.0 HDR ASSY,180DEG	CODE HOUSING FOLLOW 4-2394060-1	H	PA66-GF	YELLOW	(14.0)	1	7
4-2394060-7	G	1POS.PIN DIA 10.0 HDR ASSY,180DEG	CODE HOUSING FOLLOW 4-2394060-1	G	PA66-GF	RED	(14.0)	1	7
4-2394060-6	F	1POS.PIN DIA 10.0 HDR ASSY,180DEG	CODE HOUSING FOLLOW 4-2394060-1	F	PA66-GF	BROWN	(14.0)	1	7
4-2394060-5	E	1POS.PIN DIA 10.0 HDR ASSY,180DEG	CODE HOUSING FOLLOW 4-2394060-1	E	PA66-GF	GREEN	(14.0)	1	7
4-2394060-4	D	1POS.PIN DIA 10.0 HDR ASSY,180DEG	CODE HOUSING FOLLOW 4-2394060-1	D	PA66-GF	PURPLE	(14.0)	1	7
4-2394060-3	C	1POS.PIN DIA 10.0 HDR ASSY,180DEG	CODE HOUSING FOLLOW 4-2394060-1	C	PA66-GF	BLUE	(14.0)	1	7
4-2394060-2	B	1POS.PIN DIA 10.0 HDR ASSY,180DEG	CODE HOUSING FOLLOW 4-2394060-1	B	PA66-GF	NATURE	(14.0)	1	7
4-2394060-1	A	1POS.PIN DIA 10.0 HDR ASSY,180DEG	CODE HOUSING HV INTERLOCK TERMINAL WIRE FACE SEAL BUSBAR, BACK SIDE HEADER TPA FINGER PROTECTION CAP HEADER HOUSING 180DEG	A	PA66-GF - SILICONE COPPER PA66-GF PA66-GF AL-ALLOY	BLACK - RED Ag PLATED RED BLACK NICKEL PLATED	(14.0)	1 2 1 1 1 1 1	7 6 5 4 3 2 1

TE-ASSY-NO.	CODE	DESCRIPTION	DESCRIPTION	CODE	MATERIAL	SURFACE COLOR	WEIGHT (g)	QTY	ITEM
7-2394060-3	M	1POS.PIN DIA 10.0 HDR ASSY,180DEG	CODE HOUSING FOLLOW 6-2394060-1	M	PA66-GF	AQUA RED	(14.0)	1	7
7-2394060-2	L	1POS.PIN DIA 10.0 HDR ASSY,180DEG	CODE HOUSING FOLLOW 6-2394060-1	L	PA66-GF	AQUA BROWN	(14.0)	1	7
7-2394060-1	K	1POS.PIN DIA 10.0 HDR ASSY,180DEG	CODE HOUSING FOLLOW 6-2394060-1	K	PA66-GF	AQUA GREEN	(14.0)	1	7
6-2394060-9	J	1POS.PIN DIA 10.0 HDR ASSY,180DEG	CODE HOUSING FOLLOW 6-2394060-1	J	PA66-GF	ORANGE	(14.0)	1	7
6-2394060-8	H	1POS.PIN DIA 10.0 HDR ASSY,180DEG	CODE HOUSING FOLLOW 6-2394060-1	H	PA66-GF	YELLOW	(14.0)	1	7
6-2394060-7	G	1POS.PIN DIA 10.0 HDR ASSY,180DEG	CODE HOUSING FOLLOW 6-2394060-1	G	PA66-GF	RED	(14.0)	1	7
6-2394060-6	F	1POS.PIN DIA 10.0 HDR ASSY,180DEG	CODE HOUSING FOLLOW 6-2394060-1	F	PA66-GF	BROWN	(14.0)	1	7
6-2394060-5	E	1POS.PIN DIA 10.0 HDR ASSY,180DEG	CODE HOUSING FOLLOW 6-2394060-1	E	PA66-GF	GREEN	(14.0)	1	7
6-2394060-4	D	1POS.PIN DIA 10.0 HDR ASSY,180DEG	CODE HOUSING FOLLOW 6-2394060-1	D	PA66-GF	PURPLE	(14.0)	1	7
6-2394060-3	C	1POS.PIN DIA 10.0 HDR ASSY,180DEG	CODE HOUSING FOLLOW 6-2394060-1	C	PA66-GF	BLUE	(14.0)	1	7
6-2394060-2	B	1POS.PIN DIA 10.0 HDR ASSY,180DEG	CODE HOUSING FOLLOW 6-2394060-1	B	PA66-GF	NATURE	(14.0)	1	7
6-2394060-1	A	1POS.PIN DIA 10.0 HDR ASSY,180DEG	CODE HOUSING HV INTERLOCK TERMINAL WIRE FACE SEAL BUSBAR, LEFT SIDE HEADER TPA FINGER PROTECTION CAP HEADER HOUSING 180DEG	A	PA66-GF - SILICONE COPPER PA66-GF PA66-GF AL-ALLOY	BLACK - RED Ag PLATED RED BLACK NICKEL PLATED	(14.0)	1 2 1 1 1 1 1	7 6 5 4 3 2 1

THIS DRAWING IS A CONTROLLED DOCUMENT.

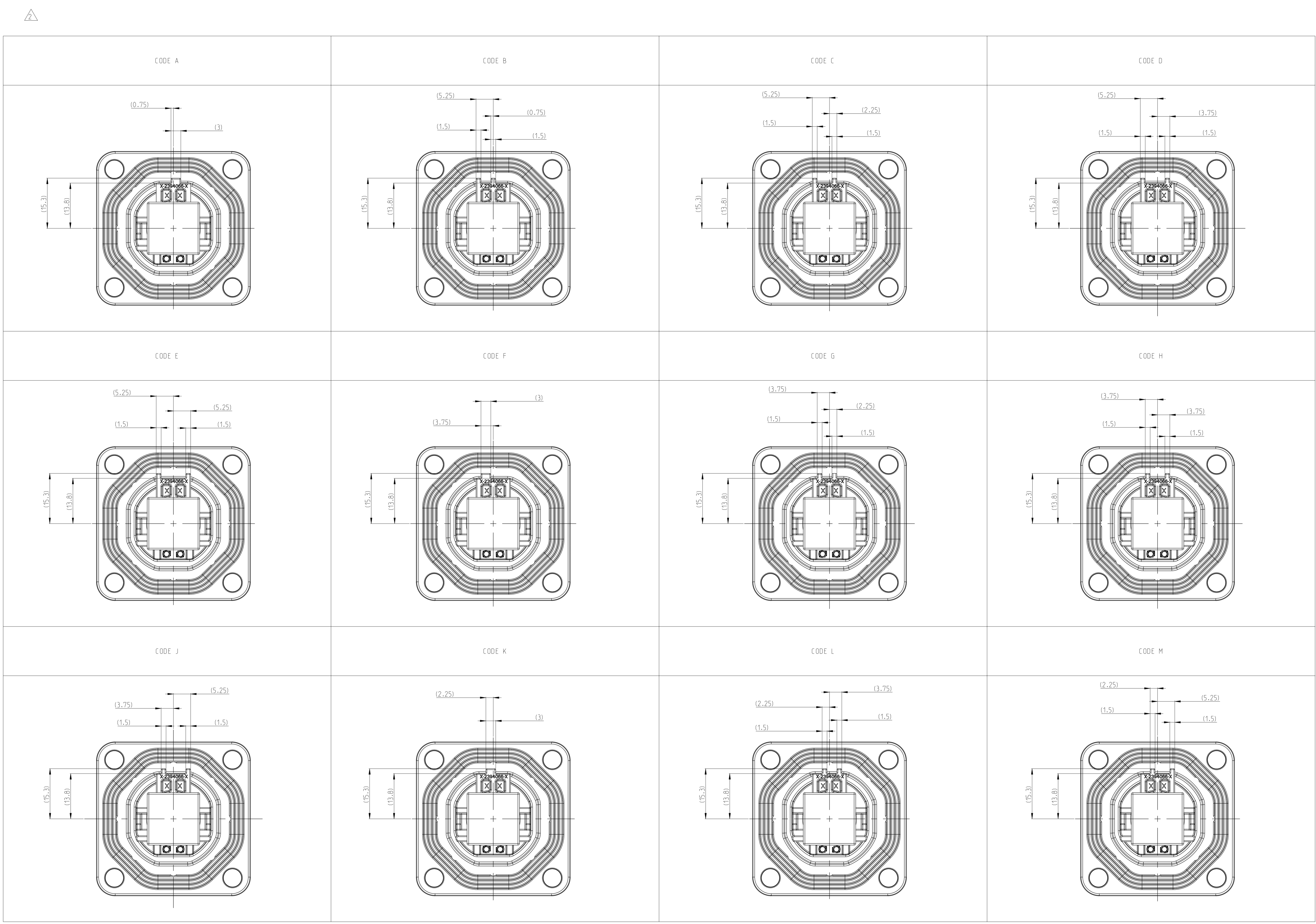
DATE: 31DEC2021
 DRAWN BY: L.C.AO
 CHECKED BY: L.L.
 APPROVED BY: J.V.YIN

TE Connectivity
 10POS.PIN DIA 10.0 HDR ASSY,180DEG
 HVP-HD1000

REV: 1
 DATE: 31DEC2021
 BY: J.V.YIN
 PRODUCT SPEC: 10B-160341
 APPLICATION SPEC: 114-160181

SCALE: 2:1
 SHEET: 3 OF 5
 REV: A1

REVISIONS			
REV	DATE	BY	APPD
1			
SEE SHEET 1			



printed on 08/09/2022 10:51:03 AM Standard Time from 1649955

THIS DRAWING IS A CONTROLLED DOCUMENT.

DESIGNED BY	CHK	DATE
DRN	LL	31DEC2021
APP'D	JYIN	31DEC2021

TE Connectivity

1POS. PIN DIA 10.0 HDR ASSY.180DEG
HVP-HD1000

SCALE: 2:1 SHEET 4 OF 5

REVISIONS			
REV	DATE	DESCRIPTION	BY
1		SEE SHEET 1	



TABLE 6

CODE A	CODE B	CODE C	CODE D
CODE E	CODE F	CODE G	CODE H
CODE J	CODE K	CODE L	CODE M

printed on 10/19/2022 10:13 AM Standard Time from 1649955

THIS DRAWING IS A CONTROLLED DOCUMENT.

DESIGNED BY	IC-CAO	DATE	31DEC2021
CHECKED BY	LL	DATE	31DEC2021
APPROVED BY	LYIN	DATE	31DEC2021
PRODUCT SPEC	1POS.PIN DIA 10.0 HDR ASSY.180DEG		
APPLICATION SPEC	HVP-HD1000		
SIZE	A0	CASE CODE	00779
DRAWING NO	2394060		
SCALE	2:1	SHEET	5 OF 5

DIMENSIONS: INCHES
 DIMS: 0.0001
 FINISH: SPEC 2
 MATERIAL: SEE TABLE
 WEIGHT: SEE TABLE
 CUSTOMER DRAWING

TE Connectivity

Mouser Electronics

Authorized Distributor

Click to View Pricing, Inventory, Delivery & Lifecycle Information:

[TE Connectivity:](#)

[2394060-3](#)