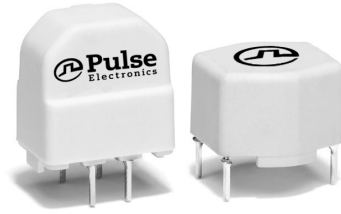


# Current Compensated Noise Suppression Chokes

FE 2X Series - 2 Phase Common Mode Choke



- Materials meet UL-94 V-0 requirements
- Rated voltage:** 250 Vac
- Dielectric withstanding voltage:** 1500 Vac

Electrical Specifications @ 25°C - Operating Temperature -40°C to +125°C

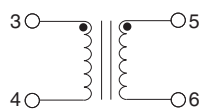
Part Number (Vertical)	Part Number (Horizontal)	L (mH ±30%)	Current (A)	DCR (mOhms Max)	SRF (kHz Min)
FE2X03-3-2NL	*FE2X03-3-3NL	3.3	1.50	215	760
FE2X03-4-2NL	FE2X03-4-3NL	3.3	2.50	90	400
FE2X03-6-2NL	-	3.3	4.00	80	600
-	FE2X03-8-3NL	3.3	8.00	33	700
FE2X07-3-2NL	FE2X07-3-3NL	6.8	1.20	390	400
FE2X07-5-2NL	-	6.8	2.00	170	400
FE2X10-3-2NL	FE2X10-3-3NL	10	0.70	740	300
FE2X10-4-2NL	-	10	1.20	410	350
FE2X10-6-2NL	-	10	1.80	240	300
FE2X15-3-2NL	-	15	0.50	960	300
FE2X18-6-2NL	-	18	1.40	650	200
FE2X27-3-2NL	FE2X27-3-3NL	27	0.40	1700	180
-	FE2X27-4-3NL	27	0.70	820	150
FE2X39-3-2NL	FE2X39-3-3NL	39	0.35	2600	200
FE2X39-4-2NL	FE2X39-4-3NL	39	0.50	1500	160
FE2X47-4-2NL	-	47	0.40	1700	150

**Notes:**

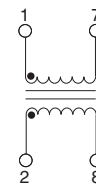
1. Part Numbering System: **FE2XLV-S-P**, where **LV** is the inductance value, **S** is the size code, and **P** is package style (2 = vertical and 3 = horizontal)
2. Part numbers with NL suffix are RoHS 6/6 compliant.
3. \* This part may be produced in black and may appear different from the product photo.

## Schematics

Style 2 - Vertical Package



Style 3 - Horizontal Package

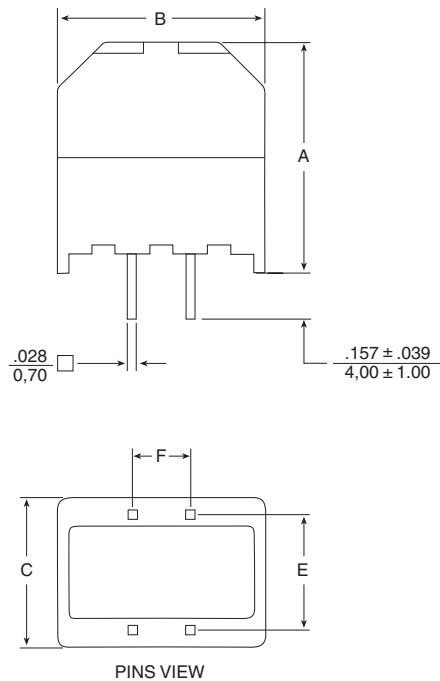


# Current Compensated Noise Suppression Chokes

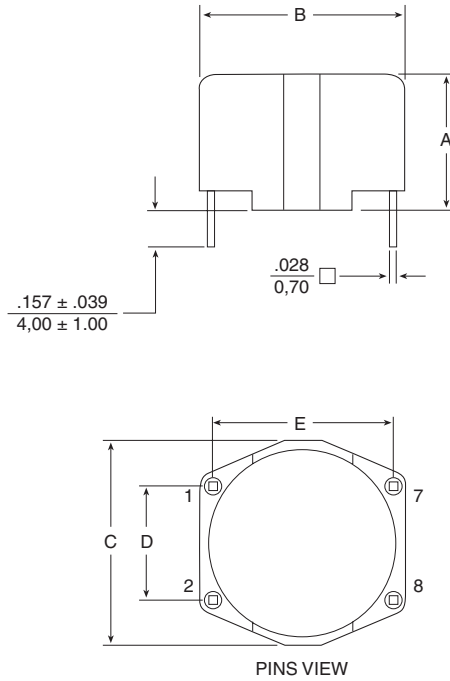
FE 2X Series - 2 Phase Common Mode Choke

## Mechanicals

Style 2 - Vertical Package



Style 3 - Horizontal Package



Dimensions:  $\frac{\text{Inches}}{\text{mm}}$

Size Code	A MAX	B MAX	C MAX	E	F
3	$\frac{.803}{20,40}$	$\frac{.724}{18,40}$	$\frac{.528}{13,40}$	$\frac{.394}{10,00}$	$\frac{.197}{5,00}$
4	$\frac{1.000}{25,40}$	$\frac{.921}{23,4}$	$\frac{.626}{15,90}$	$\frac{.492}{12,50}$	$\frac{.394}{10,00}$
5	$\frac{1.197}{30,40}$	$\frac{1.079}{27,40}$	$\frac{.724}{18,40}$	$\frac{.591}{15,00}$	$\frac{.492}{12,50}$
6	$\frac{1.394}{35,40}$	$\frac{1.276}{32,40}$	$\frac{.724}{18,40}$	$\frac{.591}{15,00}$	$\frac{.492}{12,50}$

Notes: Tolerances for E & F are  $\pm .010 / 0,25$

Size Code	A MAX	B MAX	C MAX	D	E
3	$\frac{.508}{12,90}$	$\frac{.705}{17,90}$	$\frac{.705}{17,90}$	$\frac{.394}{10,00}$	$\frac{.591}{15,00}$
4	$\frac{.606}{15,40}$	$\frac{.902}{22,90}$	$\frac{.902}{22,90}$	$\frac{.492}{12,50}$	$\frac{.787}{20,00}$
5	$\frac{.705}{17,90}$	$\frac{1.098}{27,90}$	$\frac{1.098}{27,90}$	$\frac{.591}{15,00}$	$\frac{.984}{25,00}$
8	$\frac{1.000}{25,40}$	$\frac{1.709}{43,40}$	$\frac{1.669}{42,40}$	$\frac{.591}{15,00}$	$\frac{1.575}{40,00}$

Notes: Tolerances for D & E are  $\pm .010 / 0,25$

## For More Information

### Pulse Worldwide Headquarters

15255 Innovation Drive Ste 100  
San Diego, CA 92128  
U.S.A.

### Pulse Europe

Pulse Electronics GmbH  
Am Rottland 12  
58540 Meinerzhagen  
Germany

### Pulse China Headquarters

Pulse Electronics (ShenZhen) CO., LTD  
D708, Shenzhen Academy of  
Aerospace Technology,  
The 10th Keji South Road,  
Nanshan District, Shenzhen, P.R.  
China 518057

### Pulse North China

Room 2704/2705  
Super Ocean Finance Ctr.  
2067 Yan An Road West  
Shanghai 200336  
China

### Pulse South Asia

3 Fraser Street  
0428 DUO Tower  
Singapore 189352

### Pulse North Asia

1F, No.111  
Xiyuan Road  
Zhongli District  
Taoyuan City 32057  
Taiwan (R.O.C)

Tel: 858 674 8100  
Fax: 858 674 8262

Tel: 49 2354 777 100  
Fax: 49 2354 777 168

Tel: 86 755 33966678  
Fax: 86 755 33966700

Tel: 86 21 62787060  
Fax: 86 2162786973

Tel: 65 6287 8998  
Fax: 65 6280 0080

Tel: 886 3 4356768  
Fax: 886 3 4356820

Performance warranty of products offered on this data sheet is limited to the parameters specified. Data is subject to change without notice. Other brand and product names mentioned herein may be trademarks or registered trademarks of their respective owners. © Copyright, 2019. Pulse Electronics, Inc. All rights reserved.