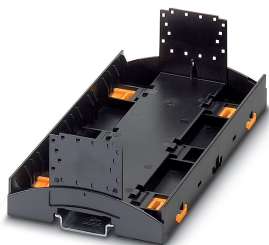


Mounting base housing - BC 161,6 UT HBUS BK - 2278500

Please be informed that the data shown in this PDF Document is generated from our Online Catalog. Please find the complete data in the user's documentation. Our General Terms of Use for Downloads are valid (<http://phoenixcontact.com/download>)



DIN rail housing for use in distribution boards in accordance with DIN 43880, Lower housing part with base latch, width: 161.6 mm, height: 89.7 mm, depth: 48.9 mm, color: black (9005), cross connection: DIN rail connector (optional), number of positions cross connector: 16

Your advantages

- Conforms to DIN EN 43880
- Tool-free mounting
- Available in overall widths from one to nine width units (17.8 mm ... 161.6 mm)
- Inflammability class V0 according to UL 94
- Variety of connection technologies
- Can be mounted on the DIN rail or the wall
- Optional with bus connector for DIN rail mounting



Key Commercial Data

Packing unit	10 pc
GTIN	
GTIN	4046356299497

Technical data

Item properties

Brief article description	Mounting base housing
Type	BC 161,6 UT HBUS BK
Order No.	2278500
Housing type	DIN rail housing for use in distribution boards in accordance with DIN 43880
Housing series	BC
Range of articles	BC UT HBUS
Type	Lower housing part with base latch
Max. IP code to attain	IP20

Mounting base housing - BC 161,6 UT HBUS BK - 2278500

Technical data

Item properties

Mounting type	DIN rail mounting/wall mounting
Ventilation openings present	no

Dimensions

Caption	Schematic figure for illustrating the item dimensions. The figure is not of the desired product. For further details, refer to the product drawings in the "Downloads" tab.
Width [w]	161.6 mm
Height [h]	89.7 mm
Depth [d]	48.9 mm
Horizontal pitch	9 Div.

Material data

Housing material	Polycarbonate
Surface characteristics	untreated
Color (RAL)	black (9005)
Flammability rating according to UL 94	V0

Ambient conditions

Ambient temperature (storage/transport)	-40 °C ... 70 °C
Ambient temperature (assembly)	-5 °C ... 100 °C
Ambient temperature (operation)	-40 °C ... 105 °C (depending on power dissipation)
Relative humidity (storage/transport)	95 %

PCB data

Number of PCB holders	9
PCB thickness	1.4 mm ... 1.8 mm
Mounting position	parallel to the DIN rail
Type of PCB mount	Latching

Power dissipation, single housing at 20 °C

Ambient temperature	20 °C
Reduction factor	1
Mounting position	vertical
Power dissipation	16.95 W

Power dissipation, single housing at 30 °C

Ambient temperature	30 °C
Reduction factor	0.84
Mounting position	vertical
Power dissipation	14.2 W

Power dissipation, single housing at 40 °C

Ambient temperature	40 °C
Reduction factor	0.72

Mounting base housing - BC 161,6 UT HBUS BK - 2278500

Technical data

Power dissipation, single housing at 40 °C

Mounting position	vertical
Power dissipation	12.2 W

Power dissipation, single housing at 50 °C

Ambient temperature	50 °C
Reduction factor	0.6
Mounting position	vertical
Power dissipation	10.2 W

Power dissipation, single housing at 60 °C

Ambient temperature	60 °C
Reduction factor	0.48
Mounting position	vertical
Power dissipation	8.1 W

Mechanical strength/tumbling barrel

Specification	IEC 60068-2-31:2008-05
Height of fall	50 cm
Number of drop cycles	50

Vibration test

Specification	IEC 60068-2-6:2007-12
Frequency	10 - 150 - 10 Hz
Sweep speed	1 octave/min
Amplitude	0.15 mm (10 - 58.1 Hz)
Acceleration	2g (58.1 - 150 Hz)
Test duration per axis	2.5 h
Test directions	X-, Y- and Z-axis

Shock

Specification	IEC 60068-2-27:2008-02
Pulse shape	Half-sine
Acceleration	15g
Shock duration	11 ms
Number of shocks per direction	3
Test directions	X-, Y- and Z-axis (pos. and neg.)

Test for assessing the risk of fire (glow wire)

Specification	DIN EN 60695-2-11 (VDE 0471-2-11):2014-11
Temperature	850 °C
Time of exposure	30 s

Degrees of protection provided by housings (IP code)

Specification	IEC 60529:1989-11 + AMD 1:1999-11 + AMD 2:2013-08
Result, degree of protection, IP code	IP20

Mounting base housing - BC 161,6 UT HBUS BK - 2278500

Technical data

General information

Type of note	Assembly instruction:
Note	Refer to the data sheet for the range in the download area.

Packaging information

Type of packaging	packed in cardboard
Pieces per package	10
Denomination packing units	Pcs.
Outer packaging type	Carton

Standards and regulations

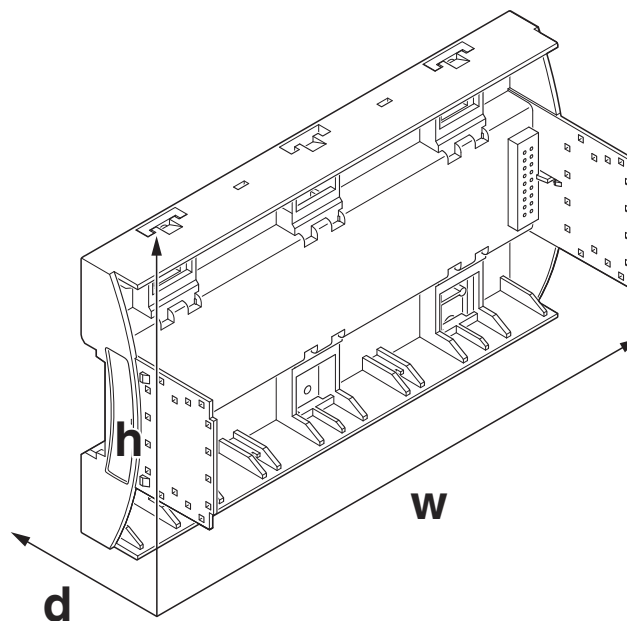
Flammability rating according to UL 94	V0
--	----

Environmental Product Compliance

China RoHS	Environmentally friendly use period: unlimited = EFUP-e
	No hazardous substances above threshold values

Drawings

Dimensional drawing



Schematic figure for illustrating the item dimensions. The figure is not of the desired product. For further details, refer to the product drawings in the "Downloads" tab.

Classifications

eCl@ss

eCl@ss 10.0.1	27182702
---------------	----------

Mounting base housing - BC 161,6 UT HBUS BK - 2278500

Classifications

eCl@ss

eCl@ss 11.0	27182702
eCl@ss 4.0	27180400
eCl@ss 4.1	27180400
eCl@ss 5.0	27180500
eCl@ss 5.1	27180500
eCl@ss 6.0	27180800
eCl@ss 7.0	27182702
eCl@ss 9.0	27182702

ETIM

ETIM 2.0	EC001031
ETIM 3.0	EC001031
ETIM 4.0	EC001031
ETIM 6.0	EC001031
ETIM 7.0	EC001031

UNSPSC

UNSPSC 6.01	31261501
UNSPSC 7.0901	31261501
UNSPSC 11	31261501
UNSPSC 12.01	31261501
UNSPSC 13.2	31261501
UNSPSC 18.0	31261501
UNSPSC 19.0	31261501
UNSPSC 20.0	31261501
UNSPSC 21.0	31261501

Approvals

Approvals

Approvals

UL Recognized

Ex Approvals

Approval details

Mounting base housing - BC 161,6 UT HBUS BK - 2278500

Approvals

UL Recognized		http://database.ul.com/cgi-bin/XYV/template/LISEXT/1FRAME/index.htm	FILE E 240868
---------------	--	---	---------------

Accessories

Accessories

Fiber optic

Fiber optic - HS LC-H-D3/ R1XC1 - 2202313



Light guides, passive, rigid, can be used for the ME, ME-MAX, ME-IO, ME PLC, and EH housing ranges (housing must be processed)

Fiber optic - HS LC-H-5X2/ R1XC1 - 2202314



Light guides, passive, rigid, can be used for the ME, ME-MAX, ME-IO, ME PLC, and EH housing ranges (housing must be processed)

Necessary add-on products

Upper part of housing - BC 161,6 OT U11 KMGY - 2278513



DIN rail housing for use in distribution boards in accordance with DIN 43880, Upper housing part (U11) with vents, Installation depth connection technology: 11.1 mm, width: 161.6 mm, height: 89.7 mm, depth: 54.85 mm, color: light gray (7035)

Upper part of housing - BC 161,6 OT U22 KMGY - 2278526



DIN rail housing for use in distribution boards in accordance with DIN 43880, Upper housing part (U22) with vents, Installation depth connection technology: 22.35 mm, width: 161.6 mm, height: 89.7 mm, depth: 54.85 mm, color: light gray (7035)

Mounting base housing - BC 161,6 UT HBUS BK - 2278500

Accessories

Upper part of housing - BC 161,6 OT U11 BK - 2202833



DIN rail housing for use in distribution boards in accordance with DIN 43880, Upper housing part (U11) with vents, Installation depth connection technology: 11.1 mm, width: 161.6 mm, height: 89.7 mm, depth: 54.85 mm, color: black (9005)

Upper part of housing - BC 161,6 OT U22 BK - 2201665



DIN rail housing for use in distribution boards in accordance with DIN 43880, Upper housing part (U22) with vents, Installation depth connection technology: 22.35 mm, width: 161.6 mm, height: 89.7 mm, depth: 54.85 mm, color: black (9005)

Upper part of housing - BC 161,6 OT 111112 BK - 2201977



DIN rail housing for use in distribution boards in accordance with DIN 43880, modular upper housing part, width: 161.6 mm, height: 89.7 mm, depth: 54.85 mm, color: black (9005)

Upper part of housing - BC 161,6 OT 222121 BK - 1046793



DIN rail housing for use in distribution boards in accordance with DIN 43880, modular upper housing part, width: 161.6 mm, height: 89.7 mm, depth: 54.85 mm, color: black (9005)

Upper part of housing - BC 161,6 OT 111122 KMGY - 2201919



DIN rail housing for use in distribution boards in accordance with DIN 43880, modular upper housing part, width: 161.6 mm, height: 89.7 mm, depth: 54.85 mm, color: light gray (7035)

Mounting base housing - BC 161,6 UT HBUS BK - 2278500

Accessories

Upper part of housing - BC 161,6 OT 012122 KMGY - 2203722



DIN rail housing for use in distribution boards in accordance with DIN 43880, modular upper housing part, width: 161.6 mm, height: 89.7 mm, depth: 54.85 mm, color: light gray (7035)

Upper part of housing - BC 161,6 OT 000020 KMGY - 2201450



DIN rail housing for use in distribution boards in accordance with DIN 43880, modular upper housing part, width: 161.6 mm, height: 89.7 mm, depth: 54.85 mm, color: light gray (7035)

Upper part of housing - BC 161,6 OT 110021 KMGY - 1208340



DIN rail housing for use in distribution boards in accordance with DIN 43880, modular upper housing part, width: 161.6 mm, height: 89.7 mm, depth: 54.85 mm, color: light gray (7035)

Upper part of housing - BC 161,6 OT 001101 KMGY - 2202284



DIN rail housing for use in distribution boards in accordance with DIN 43880, modular upper housing part, width: 161.6 mm, height: 89.7 mm, depth: 54.85 mm, color: light gray (7035)

Upper part of housing - BC 161,6 OT 111112 KMGY - 2202638



DIN rail housing for use in distribution boards in accordance with DIN 43880, modular upper housing part, width: 161.6 mm, height: 89.7 mm, depth: 54.85 mm, color: light gray (7035)

Upper part of housing - BC 161,6 OT 112111 KMGY - 1255434

DIN rail housing for use in distribution boards in accordance with DIN 43880, modular upper housing part, width: 161.6 mm, height: 89.7 mm, depth: 54.85 mm, color: light gray (7035)

Mounting base housing - BC 161,6 UT HBUS BK - 2278500

Accessories

Upper part of housing - BC 161,6 OT 000022 KMGY - 2201454



DIN rail housing for use in distribution boards in accordance with DIN 43880, modular upper housing part, width: 161.6 mm, height: 89.7 mm, depth: 54.85 mm, color: light gray (7035)

Upper part of housing - BC 161,6 OT 100202 KMGY - 2201976



DIN rail housing for use in distribution boards in accordance with DIN 43880, modular upper housing part, width: 161.6 mm, height: 89.7 mm, depth: 54.85 mm, color: light gray (7035)

Upper part of housing - BC 161,6 OT 111121 KMGY - 2201982



DIN rail housing for use in distribution boards in accordance with DIN 43880, modular upper housing part, width: 161.6 mm, height: 89.7 mm, depth: 54.85 mm, color: light gray (7035)

Upper part of housing - BC 161,6 OT 111101 KMGY - 2203095



DIN rail housing for use in distribution boards in accordance with DIN 43880, modular upper housing part, width: 161.6 mm, height: 89.7 mm, depth: 54.85 mm, color: light gray (7035)

Upper part of housing - BC 161,6 OT 212121 KMGY - 2201869



DIN rail housing for use in distribution boards in accordance with DIN 43880, modular upper housing part, width: 161.6 mm, height: 89.7 mm, depth: 54.85 mm, color: light gray (7035)

Mounting base housing - BC 161,6 UT HBUS BK - 2278500

Accessories

Upper part of housing - BC 161,6 OT 112122 KMGY - 2201881



DIN rail housing for use in distribution boards in accordance with DIN 43880, modular upper housing part, width: 161.6 mm, height: 89.7 mm, depth: 54.85 mm, color: light gray (7035)

Upper part of housing - BC 161,6 OT 210021 KMGY - 2201984



DIN rail housing for use in distribution boards in accordance with DIN 43880, modular upper housing part, width: 161.6 mm, height: 89.7 mm, depth: 54.85 mm, color: light gray (7035)

Upper part of housing - BC 161,6 OT U11 BK VPE80 - 1006944



DIN rail housing for use in distribution boards in accordance with DIN 43880, Upper housing part (U11) with vents, Installation depth connection technology: 11.1 mm, width: 161.6 mm, height: 89.7 mm, depth: 54.85 mm, color: black (9005)

Upper part of housing - BC 161,6 OT 212122 KMGY VPE80 - 1015337



DIN rail housing for use in distribution boards in accordance with DIN 43880, modular upper housing part, width: 161.6 mm, height: 89.7 mm, depth: 54.85 mm, color: light gray (7035)

Upper part of housing - BC 161,6 OT 0C20C20C2 KMGY - 1218565

DIN rail housing for use in distribution boards in accordance with DIN 43880, modular upper housing part, width: 161.6 mm, height: 89.7 mm, depth: 54.85 mm, color: light gray (7035)

Upper part of housing - BC 161,6 OT 002000 KMGY - 2201451



DIN rail housing for use in distribution boards in accordance with DIN 43880, modular upper housing part, width: 161.6 mm, height: 89.7 mm, depth: 54.85 mm, color: light gray (7035)

Mounting base housing - BC 161,6 UT HBUS BK - 2278500

Accessories

Upper part of housing - BC 161,6 OT 0C20C20C2 WH - 1252986

DIN rail housing for use in distribution boards in accordance with DIN 43880, modular upper housing part, width: 161.6 mm, height: 89.7 mm, depth: 54.85 mm, color: white (9016)

Upper part of housing - BC 161,6 OT 000C0C22 KMGY - 2201678



DIN rail housing for use in distribution boards in accordance with DIN 43880, modular upper housing part, width: 161.6 mm, height: 89.7 mm, depth: 54.85 mm, color: light gray (7035)

Upper part of housing - BC 161,6 OT 121222 KMGY MOQ100 - 2202355



DIN rail housing for use in distribution boards in accordance with DIN 43880, modular upper housing part, width: 161.6 mm, height: 89.7 mm, depth: 54.85 mm, color: light gray (7035)

Upper part of housing - BC 161,6 OT 110212 KMGY MOQ100 - 1153038



DIN rail housing for use in distribution boards in accordance with DIN 43880, modular upper housing part, width: 161.6 mm, height: 89.7 mm, depth: 54.85 mm, color: light gray (7035)

Upper part of housing - BC 161,6 OT 121222 BK VPE80 - 1059320



DIN rail housing for use in distribution boards in accordance with DIN 43880, modular upper housing part, width: 161.6 mm, height: 89.7 mm, depth: 54.85 mm, color: black (9005)

Upper part of housing - BC 161,6 OT 102222 KMGY MOQ100 - 2202202



DIN rail housing for use in distribution boards in accordance with DIN 43880, modular upper housing part, width: 161.6 mm, height: 89.7 mm, depth: 54.85 mm, color: light gray (7035)

Mounting base housing - BC 161,6 UT HBUS BK - 2278500

Accessories

Upper part of housing - BC 161,6 OT 001112 KMGY MOQ100 - 2202287



DIN rail housing for use in distribution boards in accordance with DIN 43880, modular upper housing part, width: 161.6 mm, height: 89.7 mm, depth: 54.85 mm, color: light gray (7035)

Upper part of housing - BC 161,6 OT 221111 KMGY MOQ100 - 2202300



DIN rail housing for use in distribution boards in accordance with DIN 43880, modular upper housing part, width: 161.6 mm, height: 89.7 mm, depth: 54.85 mm, color: light gray (7035)

Upper part of housing - BC 161,6 OT 110202 KMGY VPE80 - 1080949



DIN rail housing for use in distribution boards in accordance with DIN 43880, modular upper housing part, width: 161.6 mm, height: 89.7 mm, depth: 54.85 mm, color: light gray (7035)

Upper part of housing - BC 161,6 OT 101111 KMGY MOQ100 - 2202201



DIN rail housing for use in distribution boards in accordance with DIN 43880, modular upper housing part, width: 161.6 mm, height: 89.7 mm, depth: 54.85 mm, color: light gray (7035)

Upper part of housing - BC 161,6 OT 020001 KMGY MOQ100 - 2202224



DIN rail housing for use in distribution boards in accordance with DIN 43880, modular upper housing part, width: 161.6 mm, height: 89.7 mm, depth: 54.85 mm, color: light gray (7035)

Mounting base housing - BC 161,6 UT HBUS BK - 2278500

Accessories

Upper part of housing - BC 161,6 OT 000C020 KMGYMOQ100 - 2202372



DIN rail housing for use in distribution boards in accordance with DIN 43880, modular upper housing part, width: 161.6 mm, height: 89.7 mm, depth: 54.85 mm, color: light gray (7035)

Upper part of housing - BC 161,6 OT 202220 KMGY VPE80 - 1074661



DIN rail housing for use in distribution boards in accordance with DIN 43880, modular upper housing part, width: 161.6 mm, height: 89.7 mm, depth: 54.85 mm, color: light gray (7035)

Upper part of housing - BC 161,6 OT 101100 KMGY VPE80 - 2202324



DIN rail housing for use in distribution boards in accordance with DIN 43880, modular upper housing part, width: 161.6 mm, height: 89.7 mm, depth: 54.85 mm, color: light gray (7035)

Upper part of housing - BC 161,6 OT 220222 KMGY MOQ100 - 1126202



DIN rail housing for use in distribution boards in accordance with DIN 43880, modular upper housing part, width: 161.6 mm, height: 89.7 mm, depth: 54.85 mm, color: light gray (7035)

Upper part of housing - BC 161,6 OT 0C0C0C0C22 KMGY - 2201455



DIN rail housing for use in distribution boards in accordance with DIN 43880, modular upper housing part, width: 161.6 mm, height: 89.7 mm, depth: 54.85 mm, color: light gray (7035)

Mounting base housing - BC 161,6 UT HBUS BK - 2278500

Accessories

Upper part of housing - BC 161,6 OT 000000 KMGY MOQ100 - 2202926



DIN rail housing for use in distribution boards in accordance with DIN 43880, modular upper housing part, width: 161.6 mm, height: 89.7 mm, depth: 54.85 mm, color: light gray (7035)

Upper part of housing - BC 161,6 OT 112122 KMGY MOQ100 - 2202326



DIN rail housing for use in distribution boards in accordance with DIN 43880, modular upper housing part, width: 161.6 mm, height: 89.7 mm, depth: 54.85 mm, color: light gray (7035)

Upper part of housing - BC 161,6 OT 1C1C2C2C1C1C KMGY - 1096568



DIN rail housing for use in distribution boards in accordance with DIN 43880, modular upper housing part, width: 161.6 mm, height: 89.7 mm, depth: 54.85 mm, color: light gray (7035)

Upper part of housing - BC 161,6 OT 120202 KMGY MOQ100 - 1087950



DIN rail housing for use in distribution boards in accordance with DIN 43880, modular upper housing part, width: 161.6 mm, height: 89.7 mm, depth: 54.85 mm, color: light gray (7035)

Additional products

DIN rail bus connectors - HBUS 161,6-16P-1S BK - 2278555



DIN rail connector, color: jet black, Number of positions per row: 16, pitch: 2.54 mm

Mounting base housing - BC 161,6 UT HBUS BK - 2278500

Accessories

Pin strip - PSTD 0,65X0,65/9-2,54 - 2200700



Pin strip, Number of positions per row: 18, pitch: 2.54 mm

Phoenix Contact 2021 © - all rights reserved
<http://www.phoenixcontact.com>

PHOENIX CONTACT GmbH & Co. KG
Flachsmarktstr. 8
32825 Blomberg
Germany
Tel. +49 5235 300
Fax +49 5235 3 41200
<http://www.phoenixcontact.com>