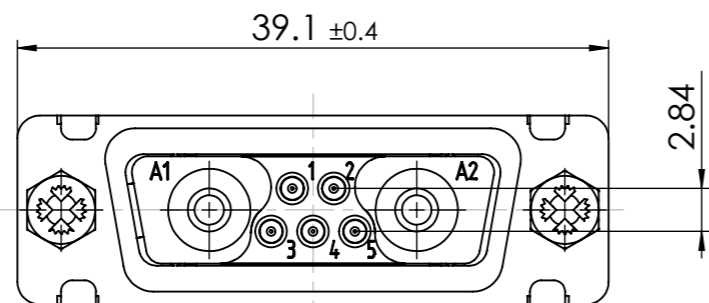
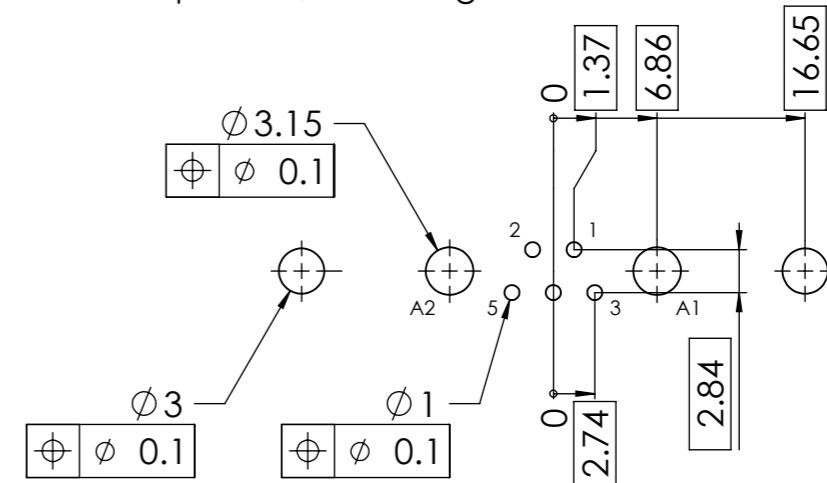


PCB hole pattern, mounting side



RoHS compliant
by exemption

5	2	Snap-in bolt	PCB 1.6mm / Brass	tin plated
4	2	High power contact	FMP010S104	20A
3	5	Signal contact	S1 / Brass	0.8µm Au
2	1	Shell	Steel	tin plated
1	1	Insulator	PBT (-55°C - +130°C)	green
No.	St.	Part	Type Description/Material	Surface plating/Colour/Class

SYMBOLS		THIS DRAWING CONTAINS INFORMATION THAT IS PROPRIETARY TO MOLEX ELECTRONIC TECHNOLOGIES, LLC AND SHOULD NOT BE USED WITHOUT WRITTEN PERMISSION			
= 0 = 0 = 0 = 0 = 0 = 0 = 0 = 0 = 0 = 0	DIMENSION UNITS mm	SCALE 2:1	MEASUREMENTS WITHOUT TOLERANCE ACC. TO ISO 2768-m		
		CURRENT REVISION		molex FCT-D-Sub Mixed-Layout Connector	
		DRWN: DRAWN BY	t Schneider01		
		APPR: APPR BY	M Teubel	21-03-2019	
		INITIAL REVISION		PRODUCT CUSTOMER DRAWING	
		DRWN: DRAWN BY	sschref	10-01-2005	MATERIAL NUMBER
		APPR: APPR BY	aschiekofer	10-01-2005	REVISION
		REV.	CH.-NO.		1731070253
		REPLACEMENT FOR:		DOCUMENT NUMBER	CUSTOMER
		THIRD ANGLE PROJECTION		FM7W2S1-1410	GENERAL MARKET
		DRAWING			SHEET NUMBER
		A3-SIZE			1 OF 1

COMMENT: ALL RIGHTS ARE RESERVED BY US FOR THIS DRAWING. WITHOUT OUR PRIOR CONSENT, IT MAY NEITHER BE DUPLICATED NOR MADE AVAILABLE TO A THIRD PARTY. AND IT ALSO MAY NOT BE IMPROPERLY USED BY THE RECEIVER, OR A THIRD PARTY.