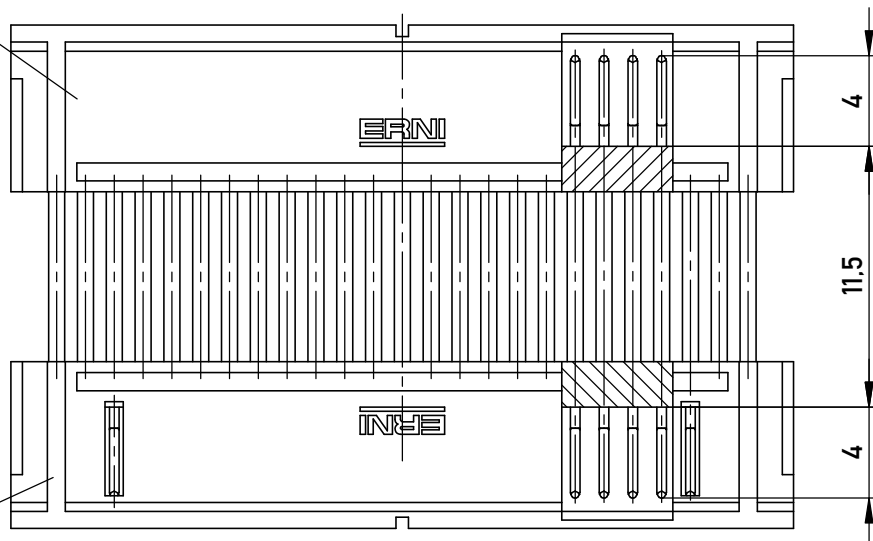
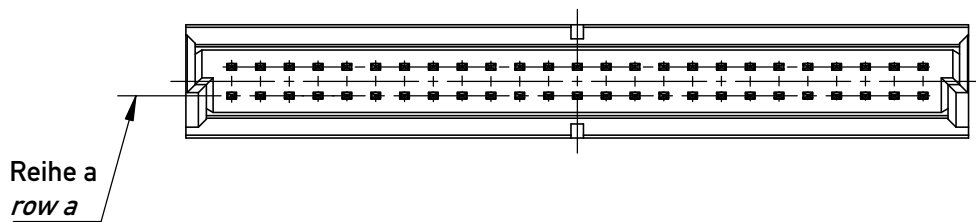
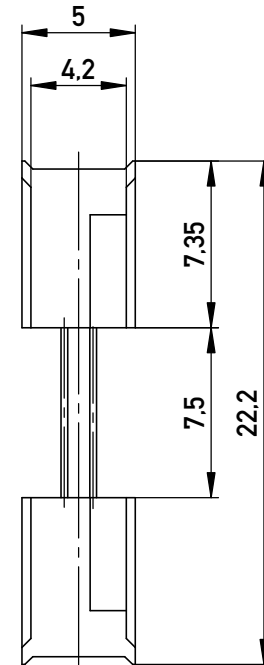


ohne Verriegelung
without interlocking

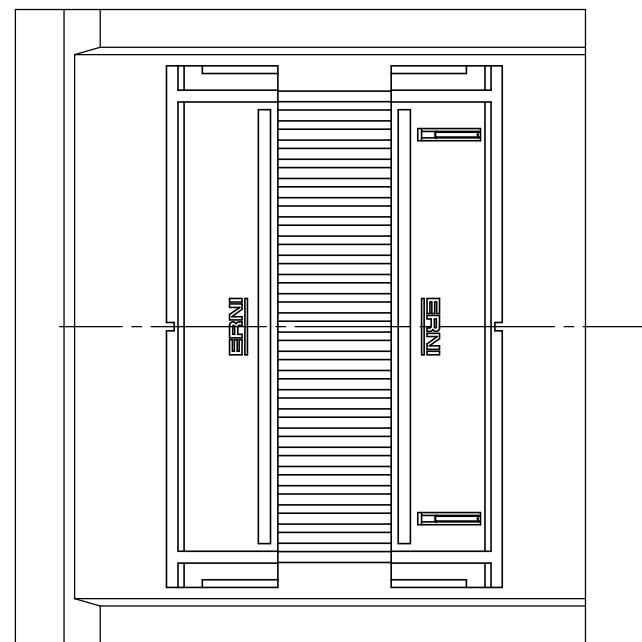
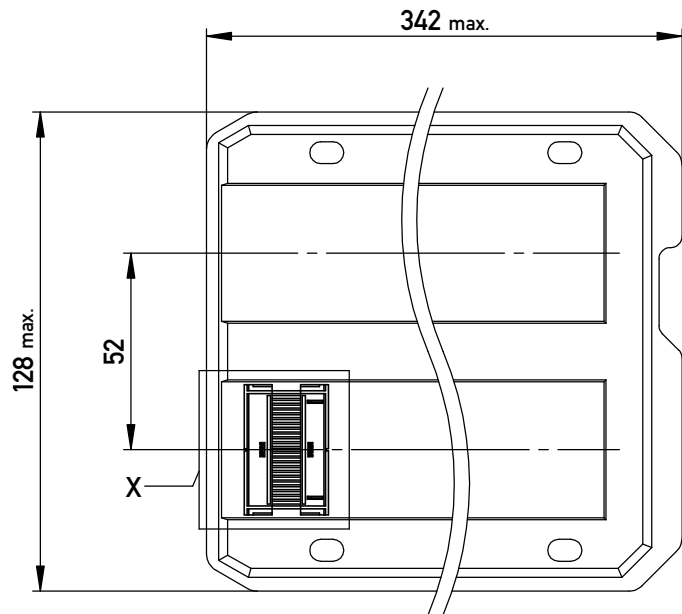


mit Verriegelung
with interlocking



Verpackt in Tray -tray packaging
Verpackungseinheit 28 Stück -packaging unit 28

Einzelheit X (M 2:1)
detail X (scale 2:1)



Adapterstück für board-to-board Abstand von 24mm (beidseitig verbaut mit Federleiste: 154807, Low Profile)
Adapter for board-to-board height 24mm (in combination with two female connectors: 154807, low profile)

Information:		Tolerances	Scale 3:1
All rights reserved. Only for Information. To ensure that this is the latest version of this drawing, please contact one of the ERNI companies before using.		 All Dimensions in mm	Designation 1,27 DRC BTB 24mm 50-polig 1,27 DRC BTB 24mm 50-pin
Copyright by ERNI Production GmbH & Co. KG Proprietary notice pursuant to ISO 16016 to be observed.		 www.ERNI.com	354309
b	12.08.2016		1
Index	Date		A3
		Class	DRCBTB

Mouser Electronics

Authorized Distributor

Click to View Pricing, Inventory, Delivery & Lifecycle Information:

[TE Connectivity:](#)

[354309](#) [354309-E](#)