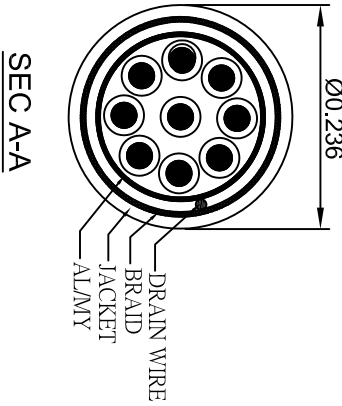
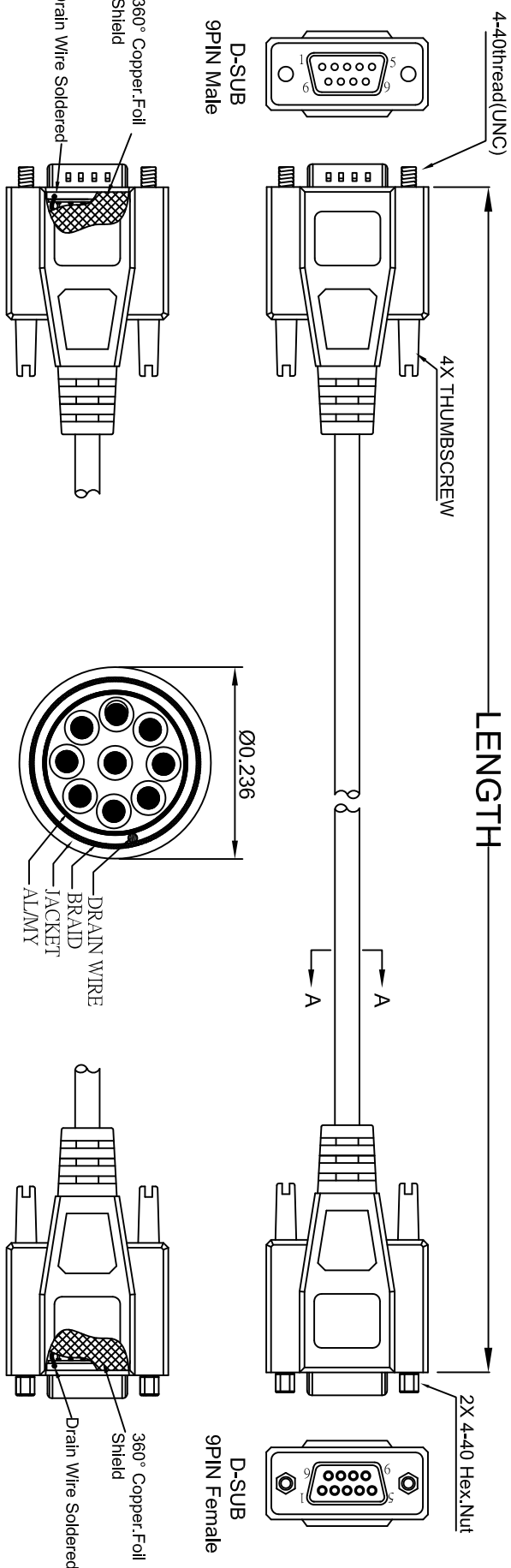


THE INFORMATION CONTAINED IN THIS DRAWING IS THE SOLE PROPERTY OF AMPHENOL CABLES ON DEMAND. ANY REPRODUCTION OR DISCLOSURE TO THIRD PARTIES, IN PART OR WHOLE, WITHOUT THE EXPRESS WRITTEN PERMISSION OF AMPHENOL CABLES ON DEMAND IS PROHIBITED.

REV.	DESCRIPTION	DATE	APPROVED
A	NEW RELEASE	23/APR/2007	
A1	Add 360° Copper Foil Shield	21/MAY/2007	
A2	Add wiring color	12/JAN/2012	



LENGTH & P/N Table

LENGTH	P/N	Cable Color
2.5FT ±1 inch	CS-DLSLSZH9MF0-002.5	BLACK
5FT ±2 inch	CS-DLSLSZH9MF0-005	BLACK
10FT ±3 inch	CS-DLSLSZH9MF0-010	BLACK
15FT ±3 inch	CS-DLSLSZH9MF0-015	BLACK
25FT ±4 inch	CS-DLSLSZH9MF0-025	BLACK
50FT ±6 inch	CS-DLSLSZH9MF0-050	BLACK
125FT ±8 inch	CS-DLSLSZH9MF0-125	BLACK

PIN	OUT:	1	TO	1
Male	Female	Color		
PIN1	PIN1	Black		
PIN2	PIN2	Brown		
PIN3	PIN3	Red		
PIN4	PIN4	Orange		
PIN5	PIN5	Yellow		
PIN6	PIN6	Green		
PIN7	PIN7	Blue		
PIN8	PIN8	Purple		
PIN9	PIN9	Gray		
SHIELD	SHIELD	Drain Wire		



UNLESS OTHERWISE SPECIFIED DIMENSIONS ARE IN INCHES TOLERANCES ARE:		EAR NO.		Amphenol Cables on Demand	
DECIMALS	ANGLES			20 VALLEY ST. ENIDCOTT, NY 13760	
.X	±X			LSZH Data Cable 9 PIN D-Sub MF	
.XX	±XX			SIZE	DWG. NO.
.XXX	±XXX			A	CS-DLSLSZH9MF0-XXX
THIRD ANGLE PROJECTION		RESP ENG		REV.	
DRAWN		MFG ENG		A2	
CHECKED					
BA					
12/JAN/2012					

NOTES: UNLESS OTHERWISE SPECIFIED

4

3

2

1

A

Mouser Electronics

Authorized Distributor

Click to View Pricing, Inventory, Delivery & Lifecycle Information:

[Amphenol:](#)

[CS-DLSZ9MF0-025](#) [CS-DLSZ9MF0-002.5](#) [CS-DLSZ9MF0-005](#) [CS-DLSZ9MF0-010](#)