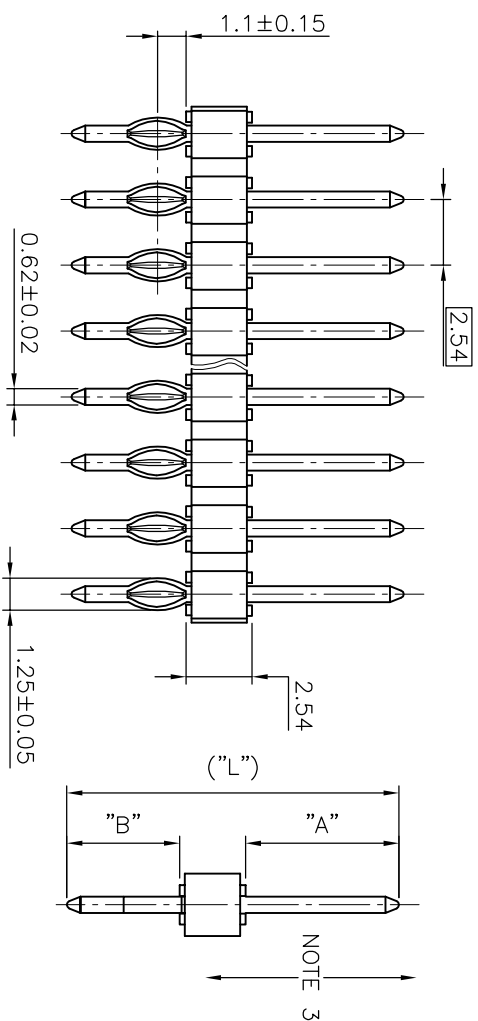
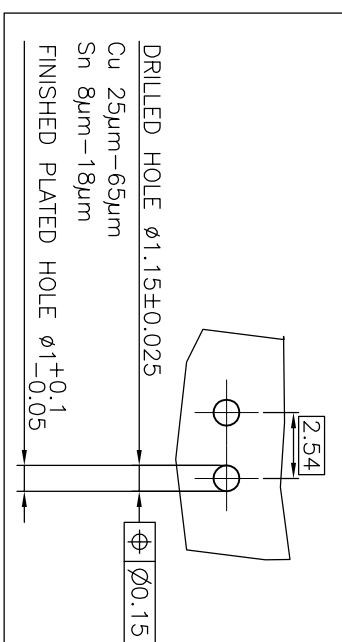
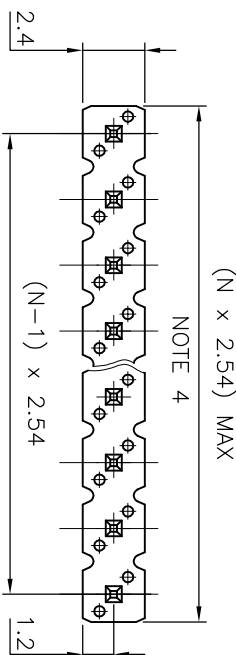
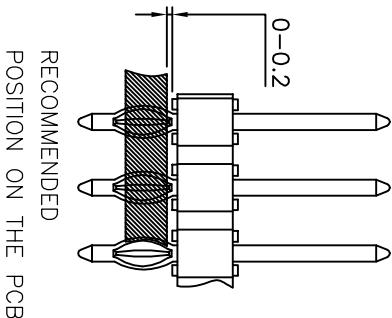


PRODUCT NUMBER
93689-XXX-XXLF

PLATING, SEE TABLE

LEAD FREE
SEE NOTE 6 & 7
TOTAL NB OF POS
02 TO 36

PIN STYLE	DIM "A" REF	DIM "B" ±0.3	DIM "L" REF
01	7.50	4.50	14.78
02	10.14	4.50	17.40
03	5.68	4.50	12.83
04	14.80	4.75	22.15
05	8.30	4.50	15.44
06	6.80	3.60	12.90
07	17.50	3.60	23.85
08	12.20	3.00	17.74
09	9.26	3.20	14.96



NOTES:

- HOUSING MAT'L : HIGH TEMPERATURE THERMOPLASTIC. UL94V-0 COLOR: BLACK
- PIN MATERIAL : PHOSPHOR BRONZE
- 9N MIN RETENTION IN EITHER DIRECTION
- TO DETERMINE DIMENSIONS :
N = NUMBER OF POSITIONS PER ROW
EXAMPLE : 8 POS PER ROW, N x 2.54 = 20.32mm
- STANDARD PACKAGING IN POLYBAGS
- LEAD FREE CONNECTOR
- "LF" MEANS THAT THE PRODUCT IS ROHS COMPLIANT THEN MEETS EUROPEAN UNION DIRECTIVES AND OTHER COUNTRY REGULATION AS DESCRIBED IN GS-47-004

XXXXX-1XXLF	2µm MIN FULL MATTE TIN PIN TYP PLATED OVER 1.27µm Ni MIN
XXXXX-9XXLF	0.2µm GOLD OVER 1.27µm Ni MIN
XXXXX-5XXLF	0.25µm GOLD/GXT OVER 1.27µm Ni MIN
XXXXX-4XXLF	3.05µm TIN OVER 1.27µm Ni MIN
XXXXX-1XXLF	0.76µm GOLD/GXT OVER 1.27µm Ni MIN
PLATING NUMBER	CONTACT AREA

mat'l. code	surf. face	tolerance	projection	product family
Ltr ecn no	dr date	ISO 1302	ISO 406 ISO 1101	BSTIK
R B-20781	AMA 15.04.28	tolerances unless otherwise specified	linear	scale 5:1
L B-16777	JOC 14.01.21	linear	xxx ±0.05	mm
M B-18988	LWU 14.10.06	linear	xxx ±0.05	mm
N B-16427	LWU 14.11.04	linear	xxx ±0.05	mm
P B-20744	LWU 15.04.23	linear	xxx ±0.05	mm
sheet revision	index	sheet	index	index
95.07.25		95.07.25		
FCI title HEADER P-FIT SINGLE ROW product family BSTIK				dwg no 93689 type CUSTOMER sheet 1 of 1 size A3 Drawing