

DO NOT SCALE DRAWING

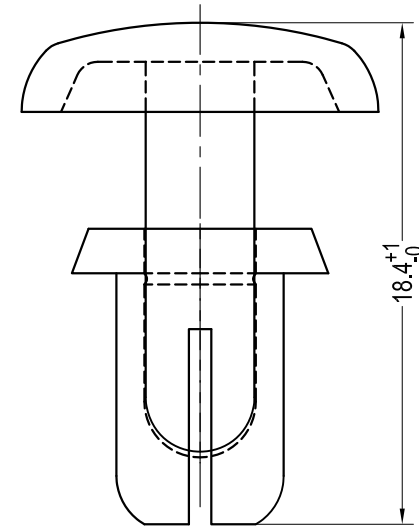
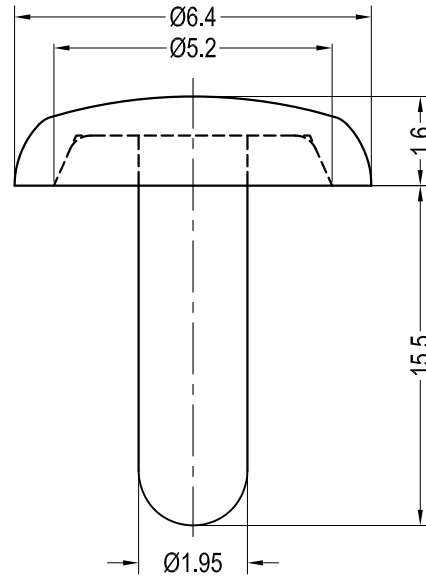
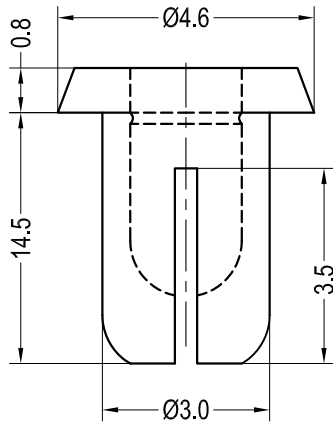
REVISIONS

ZONE	REV.	DESCRIPTION	DATE	APPROVED
	A	DRAWN	12-02-2015	

Body

Pin

Assembly



NOTES :

ALSO AVAILABLE IN FLAME RETARDANT NYLON (PA6 UL94V-0)
 Hole:Ø3.1-3.2mm; Panel Thickness:11.5-13.0mm



UNLESS OTHERWISE SPECIFIED:
 DIMENSIONS ARE IN MILLIMETERS.
 SURFACE FINISH:
 TOLERANCES:
 L≤4 = ±0.1 4<L≤15 = ±0.2
 15<L≤50 = ±0.3 50<L≤100 = ±0.4

MATERIAL

PA6 UL94V-2 RoHS COMPLIANT

TITLE

SNAP RIVET

NAME	DATE
DRAWN MARTIN ELLIOTT	12/02/2015
CHK'D	
APP'VD	

HEAT TREATMENT

N/A

CUSTOMER PART NO.

FINISH

BLACK OR WHITE

DWG NO.

TRSR3145

A3



DESIGN RIGHT. TR FASTENINGS LTD. 2003
 UNDER NO CIRCUMSTANCES MUST THIS
 DRAWING BE COPIED OR DISCLOSED,
 WITHOUT FIRST OBTAINING WRITTEN
 AUTHORITY.