



# Automotive Relay

Part No.

# NRA07



L×W×H(mm):26.5×26.5×23.5(+16)

### Features

- Miniature;
- Contact load capacity up to 50A,70A;
- Terminal types QC and PCB type available;
- Plastic sealed and dust protected type available.

### Contact Data 触点参数

Contact Form 触点形式	1A (SPSTNO)、1B (SPSTNC)、1C (SPDT(B-M))		
Contact Material 触点材料	Ag Alloy		
Contact Rating (resistive) 触点负载 (阻性)	1A	1B	1C
	50A/14VDC 70A/14VDC	30A/14VDC 50A/14VDC	NO: 50A/14VDC; NC: 30A/14VDC NO: 70A/14VDC; NC: 50A/14VDC
Max. Switching Voltage 最大切换电压	75VDC		
Max. Switching Current 最大切换电流	50A、70A		
Max. Switching Power 最大切换功率	700W、980W		
Contact Resistance or Voltage drop 接触电阻或接触压降	≤100mΩ		
Electrical Life 电气寿命	1×10 <sup>5</sup> 次		
Mechanical Life 机械寿命	1×10 <sup>7</sup> 次		

### Operation condition 工作条件

Insulation Resistance 绝缘电阻	100MΩ Min. (at 500VDC)	
Dielectric Strength 介质耐压	Between Contacts	50Hz 500VAC / 1 minute
	Between Coil and Contacts	50Hz 750VAC / 1 minute
Shock resistance 抗冲击	294m/s <sup>2</sup>	
Vibration resistance 抗震	10~55Hz double amplitude 3.0mm	
Terminals strength 引出端强度	100N	
Solderability 可焊性	250℃±3℃ 5±0.5s	
Ambient Temperature 环境温度	-40℃ ~ +85℃	
Relative Humidity 相对湿度	85% (at 40℃)	
Weight 重量(Approx.)	30g(50A/70A), 38g(90A)	

### ORDERING INFORMATION

e.g

NRA - 07 - 1C - 12D B

①      ②      ③      ④      ⑤

① Series:            NCR Automotive Relay Series

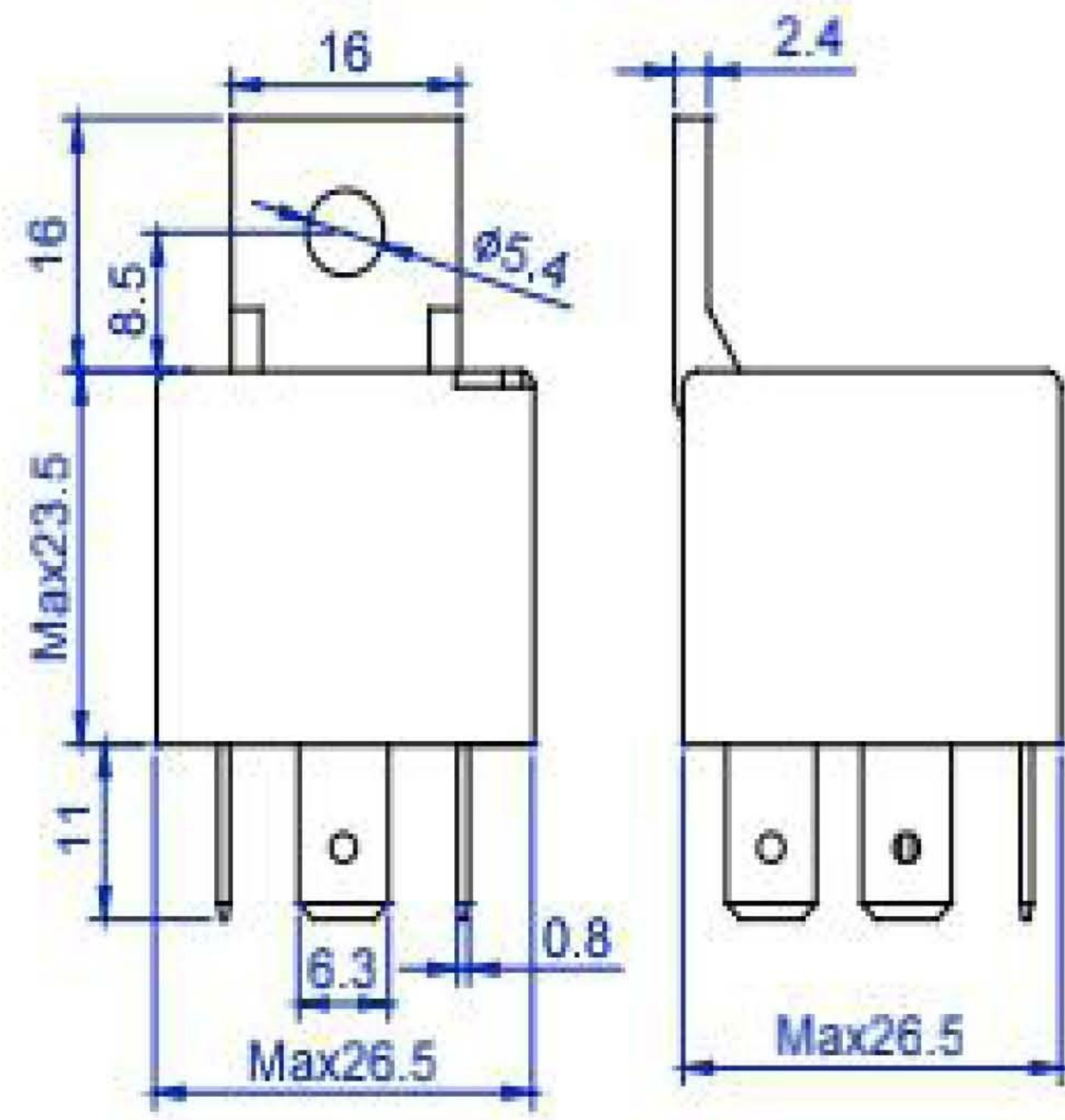
② Part No.

③ Contact Form: A=N/O B=NC C=C/O

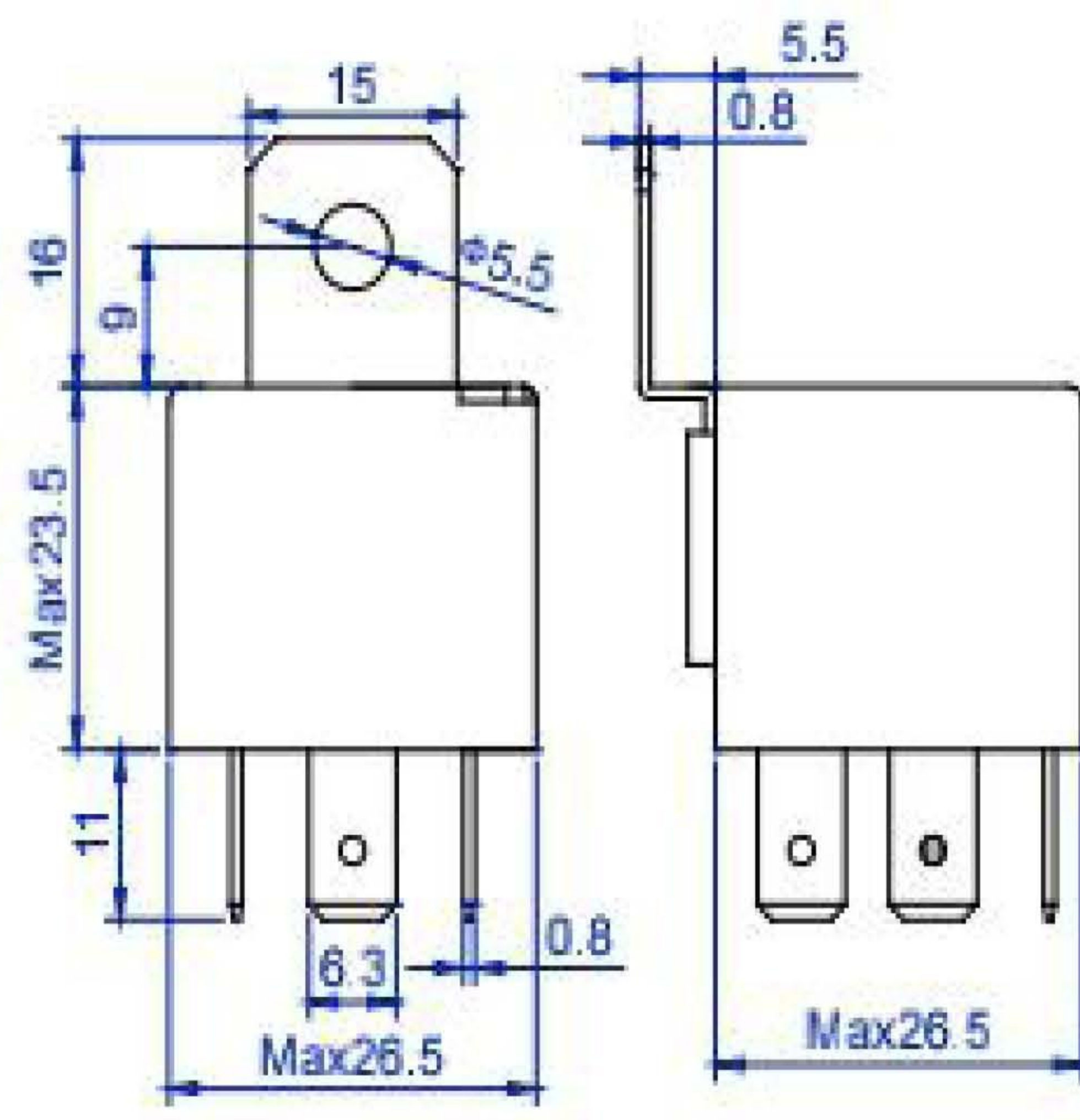
④ Coil Voltage:    6VDC,12VDC,24VDC

⑤ Bracket:Nil:Standard,B:Insulation,M:Metal

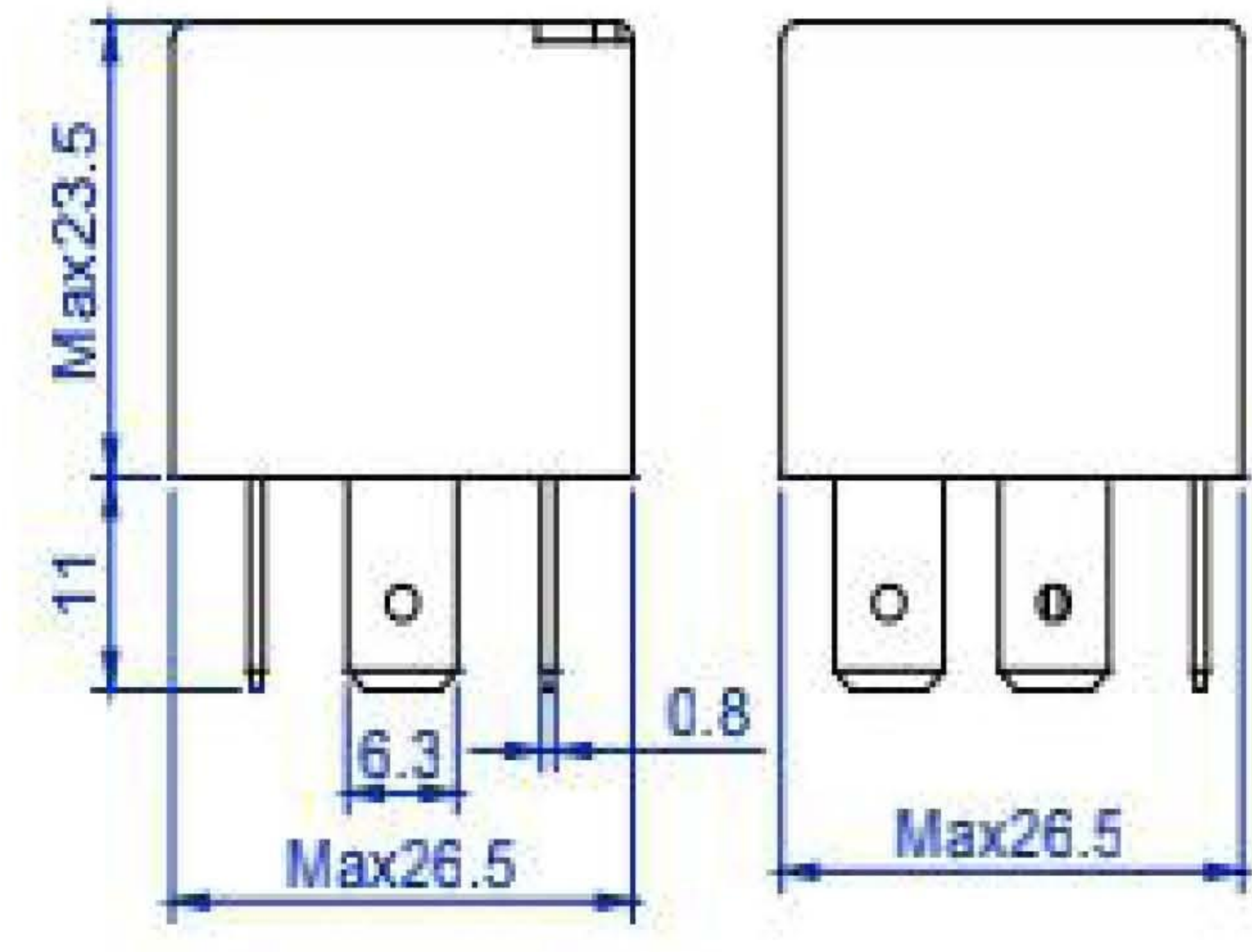
Dimension (mm)



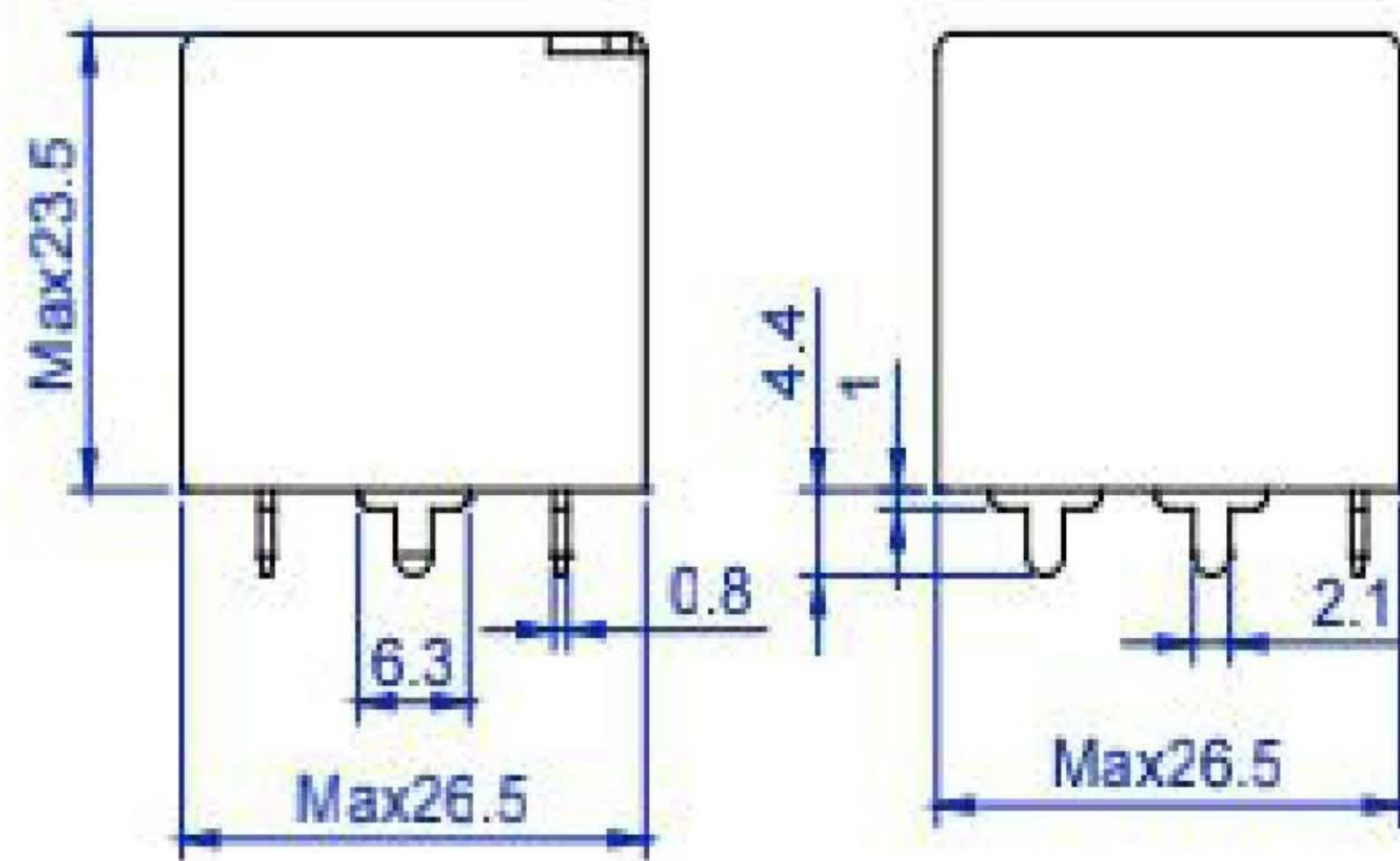
Insulation Bracket



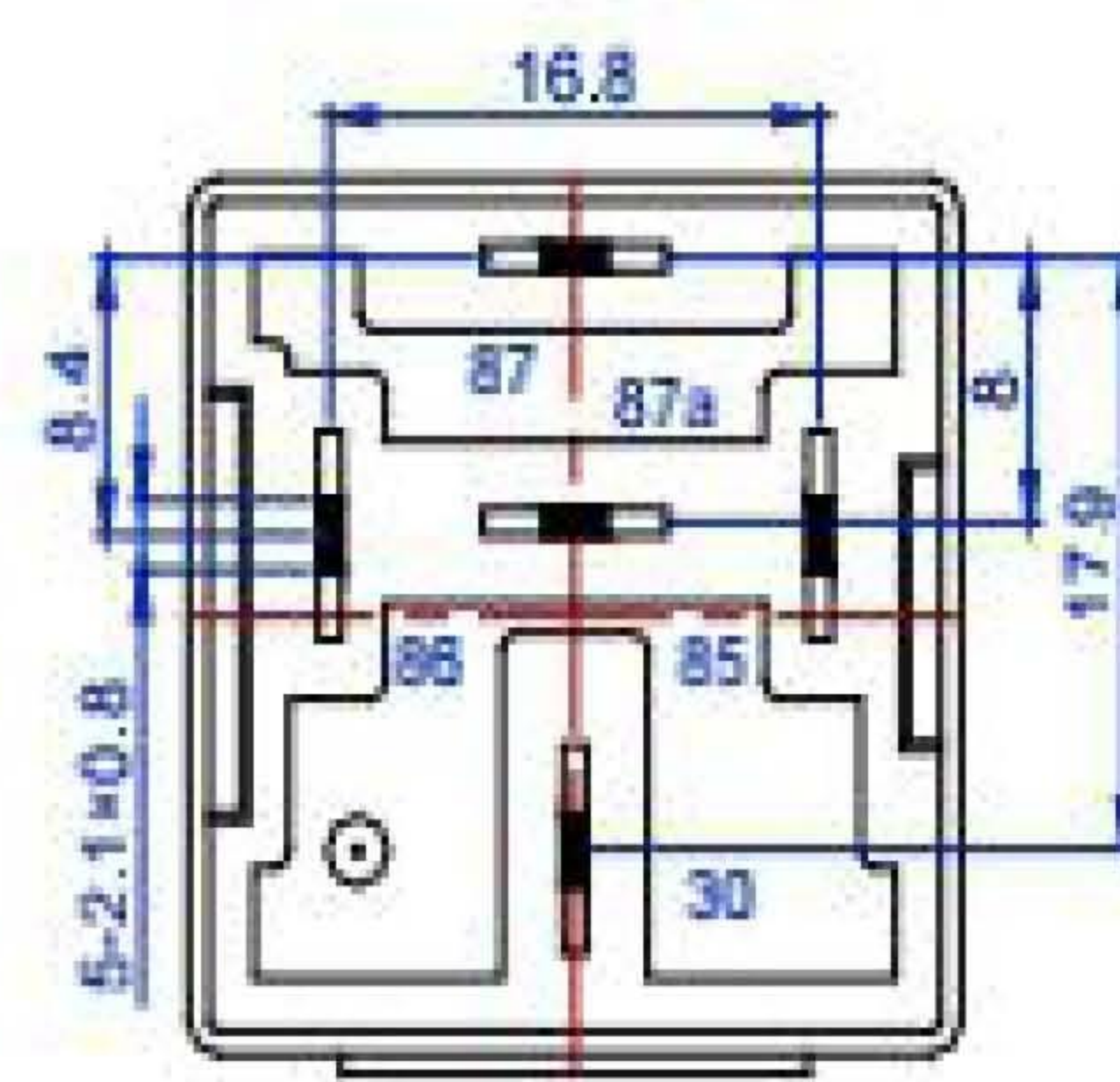
Metal Bracket



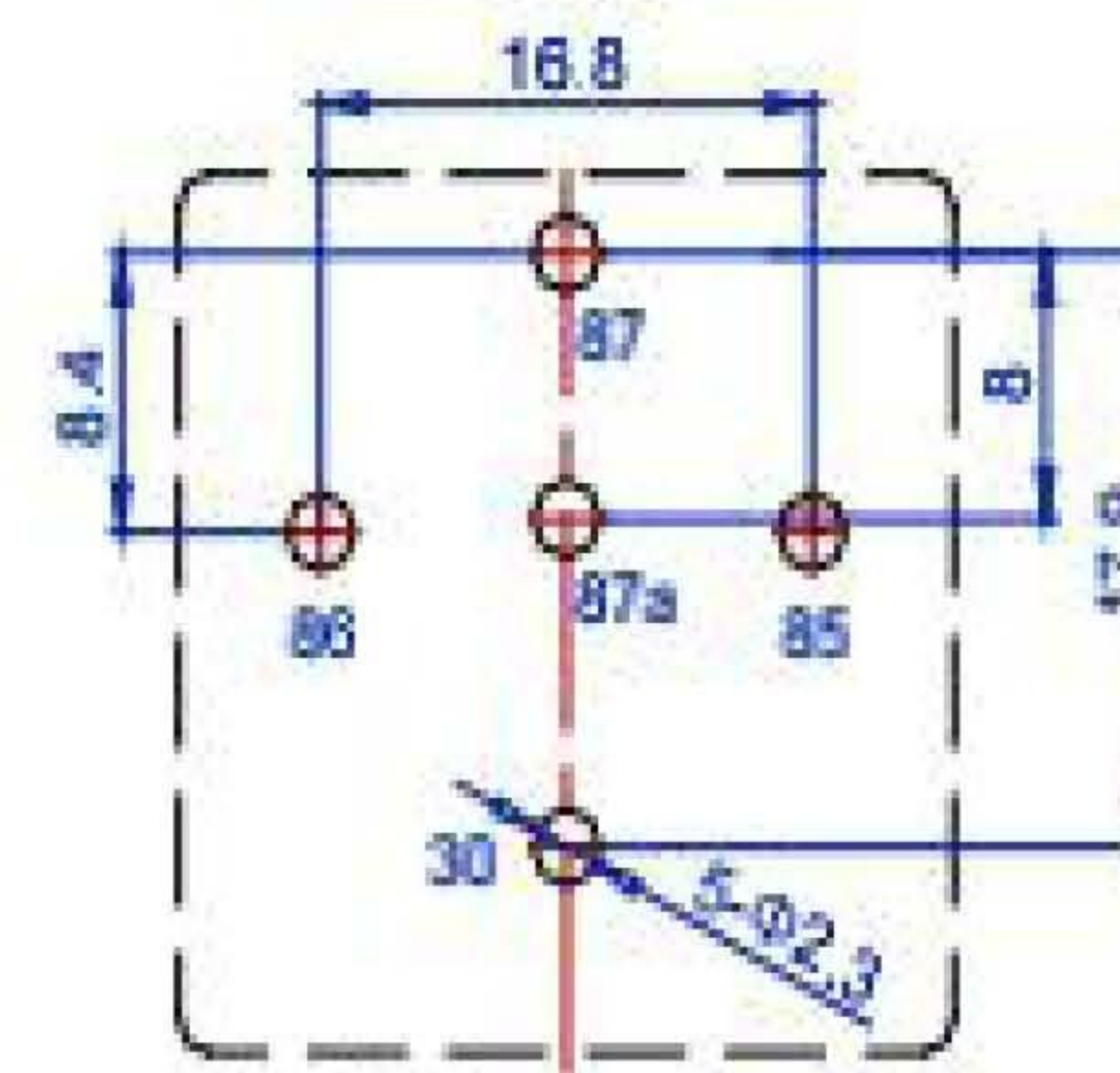
Standard



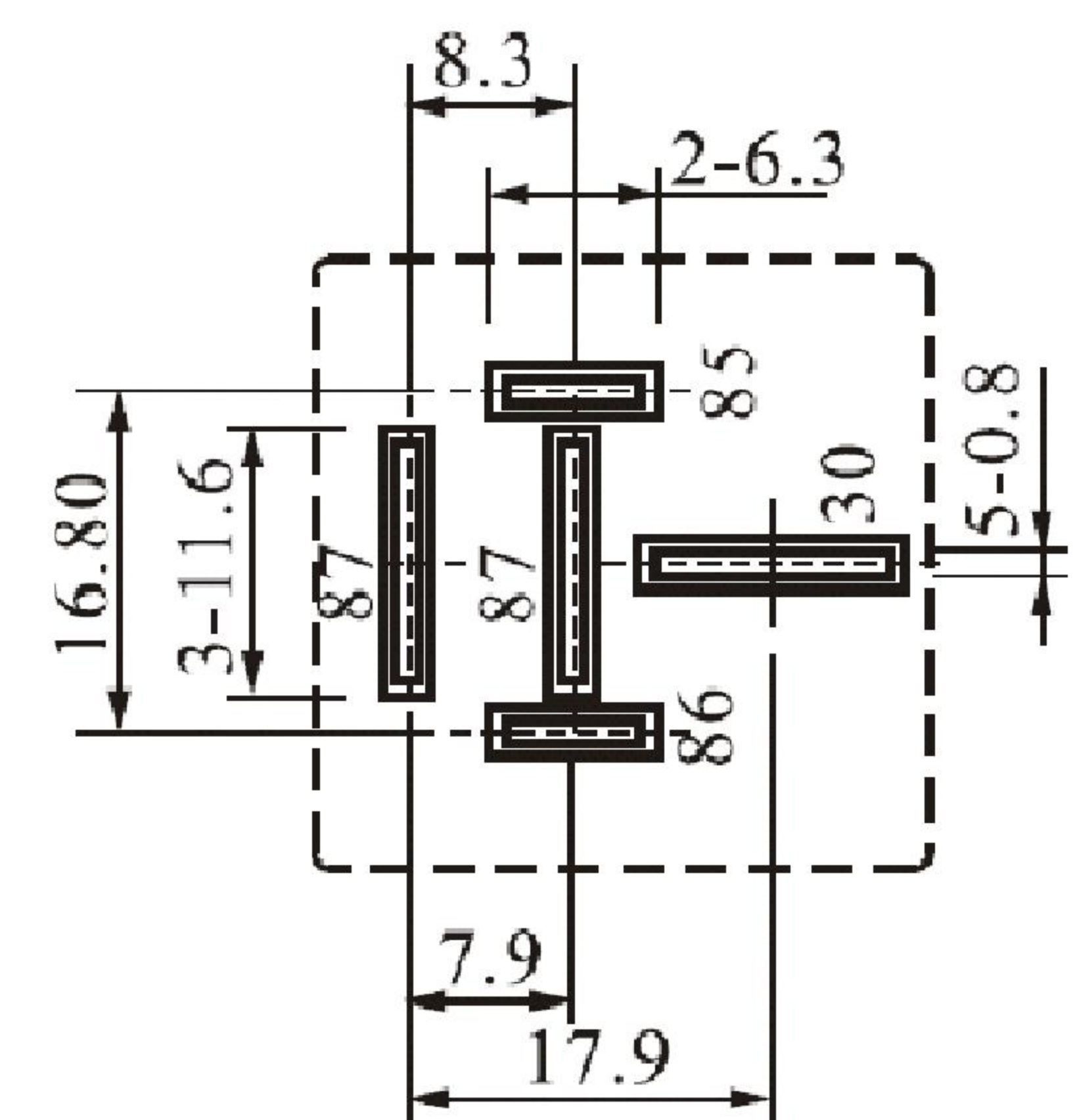
PCB type



PCB Terminal  
(Bottom views)

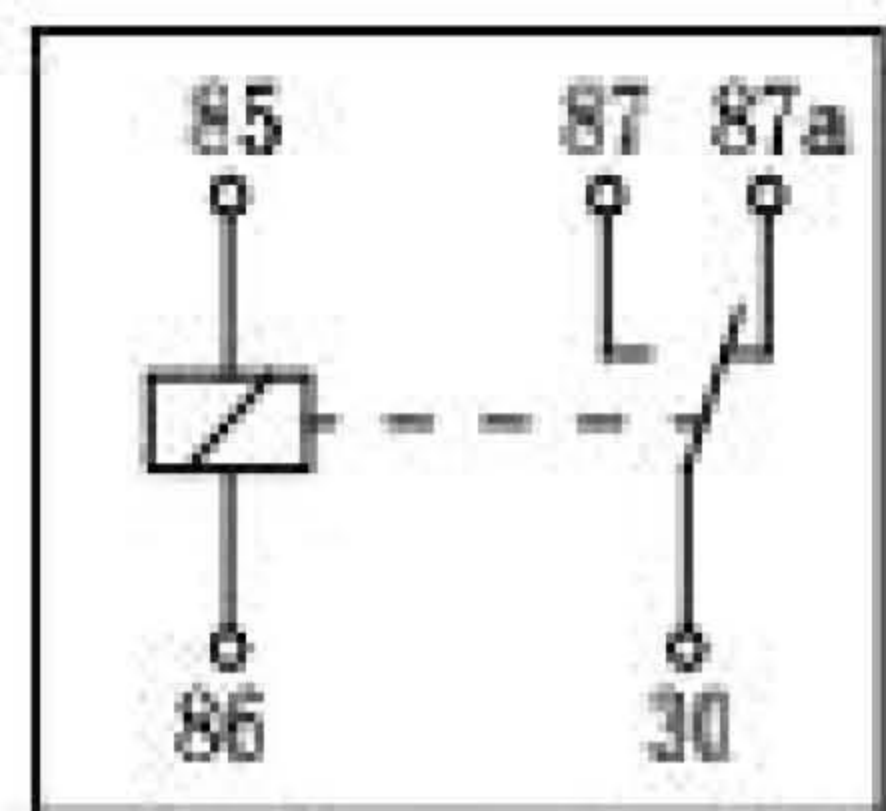


PCB Layout  
(Bottom views)

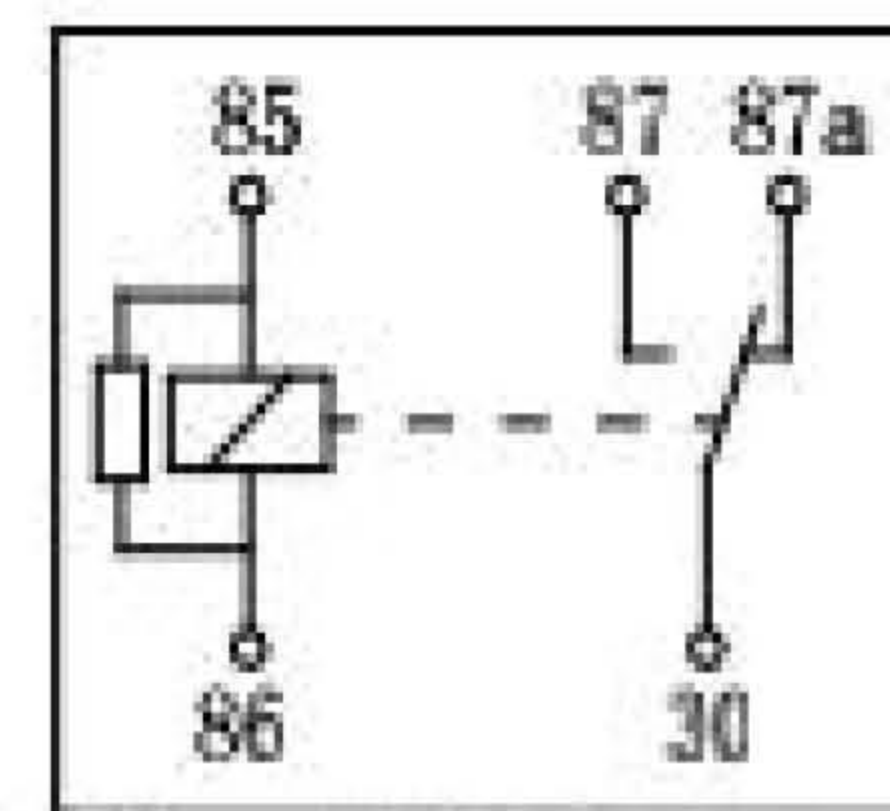


QC Terminal  
(Bottom views)

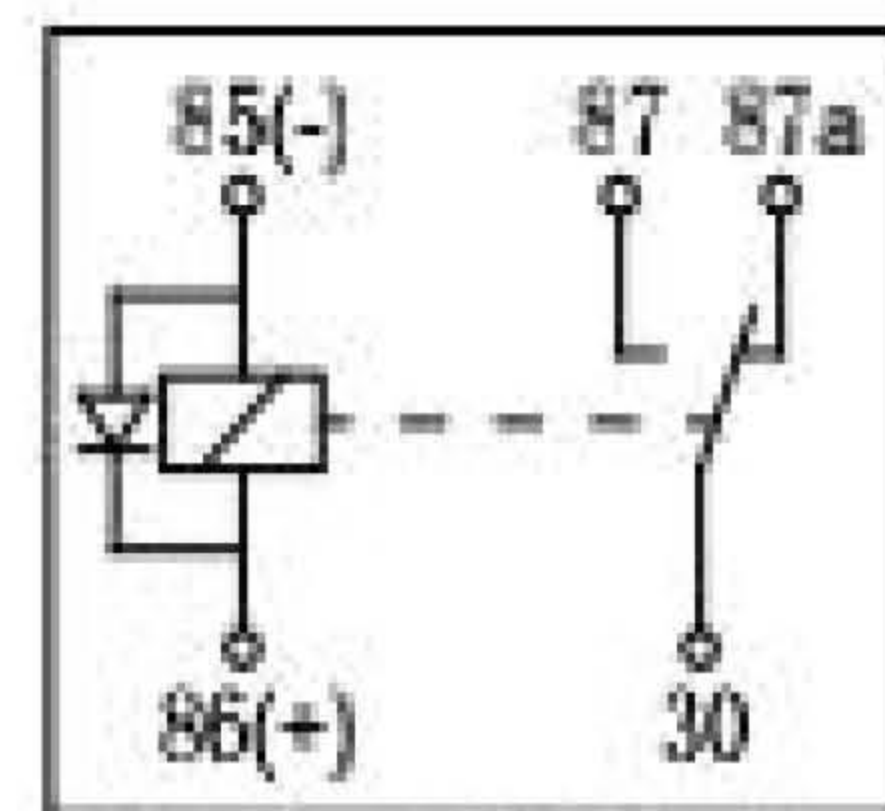
Wiring diagram (Bottom views)



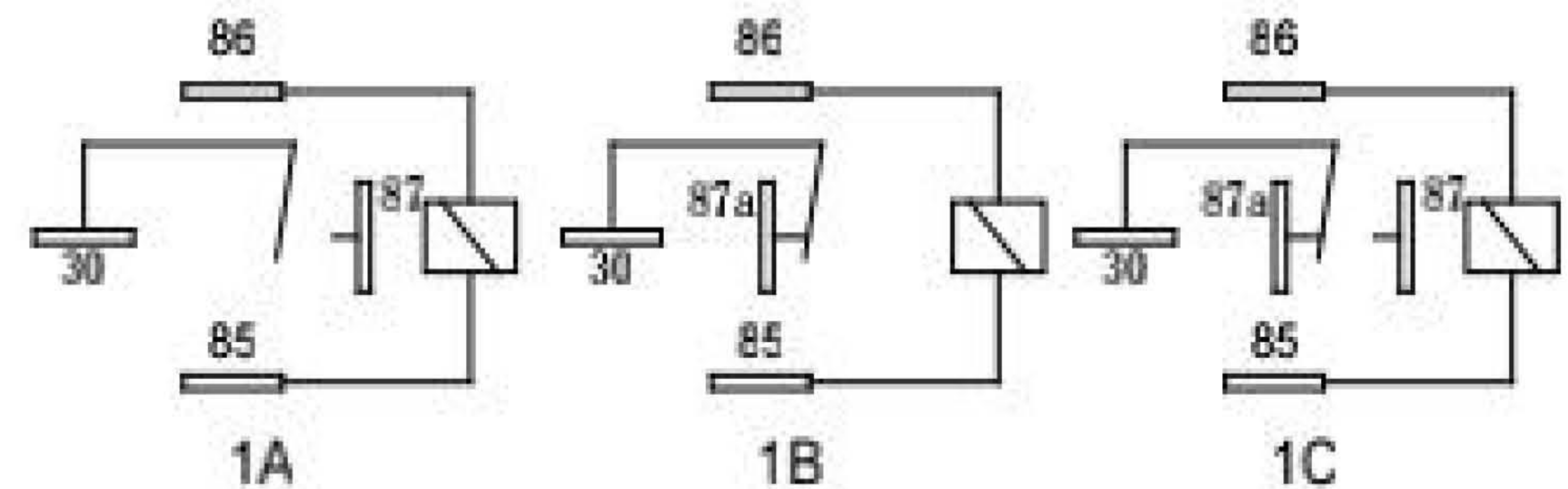
Coil: standard



Coil: with Resistance



Coil: with Diode



Wiring diagram (Bottom views)

