

Data interface - SI-RND-R1A



1425186

<https://www.phoenixcontact.com/gb/products/1425186>

Please be informed that the data shown in this PDF document is generated from our Online Catalog. Please find the complete data in the user documentation. Our General Terms of Use for Downloads are valid.

Service socket with RJ45 (socket/socket), 8-pos. metal, CAT6A connection, with protective cover



Commercial Data

Item number	1425186
Packing unit	1 pc
Minimum order quantity	1 pc
Sales Key	BF7EGX
Product Key	BF7EGX
Catalog Page	Page 720 (C-2-2019)
GTIN	4055626386706
Weight per Piece (including packing)	30.5 g
Weight per Piece (excluding packing)	29.9 g
Customs tariff number	85366990
Country of origin	DE

1425186

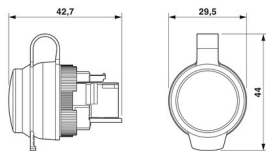
<https://www.phoenixcontact.com/gb/products/1425186>

Technical Data

Product properties

Product type	Data front plate
Number of positions	8
Connection profile	RJ45

Dimensions

Dimensional drawing	
Width	29.5 mm
Height	42.7 mm

Material specifications

Color	black
Flammability rating according to UL 94	V0
Contact material	Copper alloy
Contact surface material	gold-plated
Housing material	PA

Connector

Insertion/withdrawal cycles	≥ 750
-----------------------------	-------

Environmental and real-life conditions

Ambient conditions

Degree of protection	IP65 (with closed protective cover)
Ambient temperature (operation)	-40 °C ... 70 °C

Mounting

Assembly instructions	Panel thickness: 1 mm ... 3 mm
Panel thickness	1.00 mm ... 3.00 mm

Data interface - SI-RND-R1A

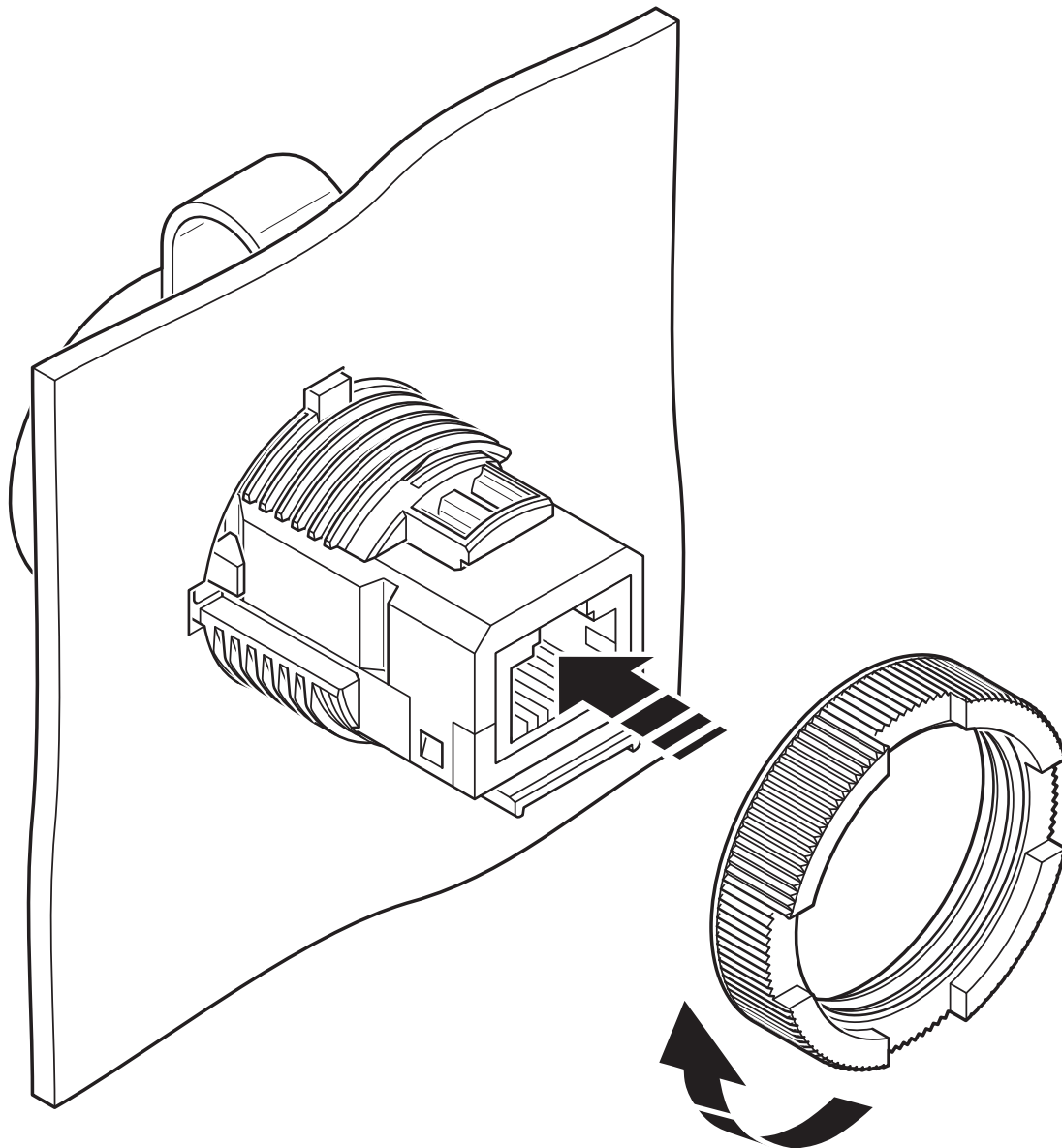
1425186

<https://www.phoenixcontact.com/gb/products/1425186>



Drawings

Schematic diagram



Schematic drawing 2

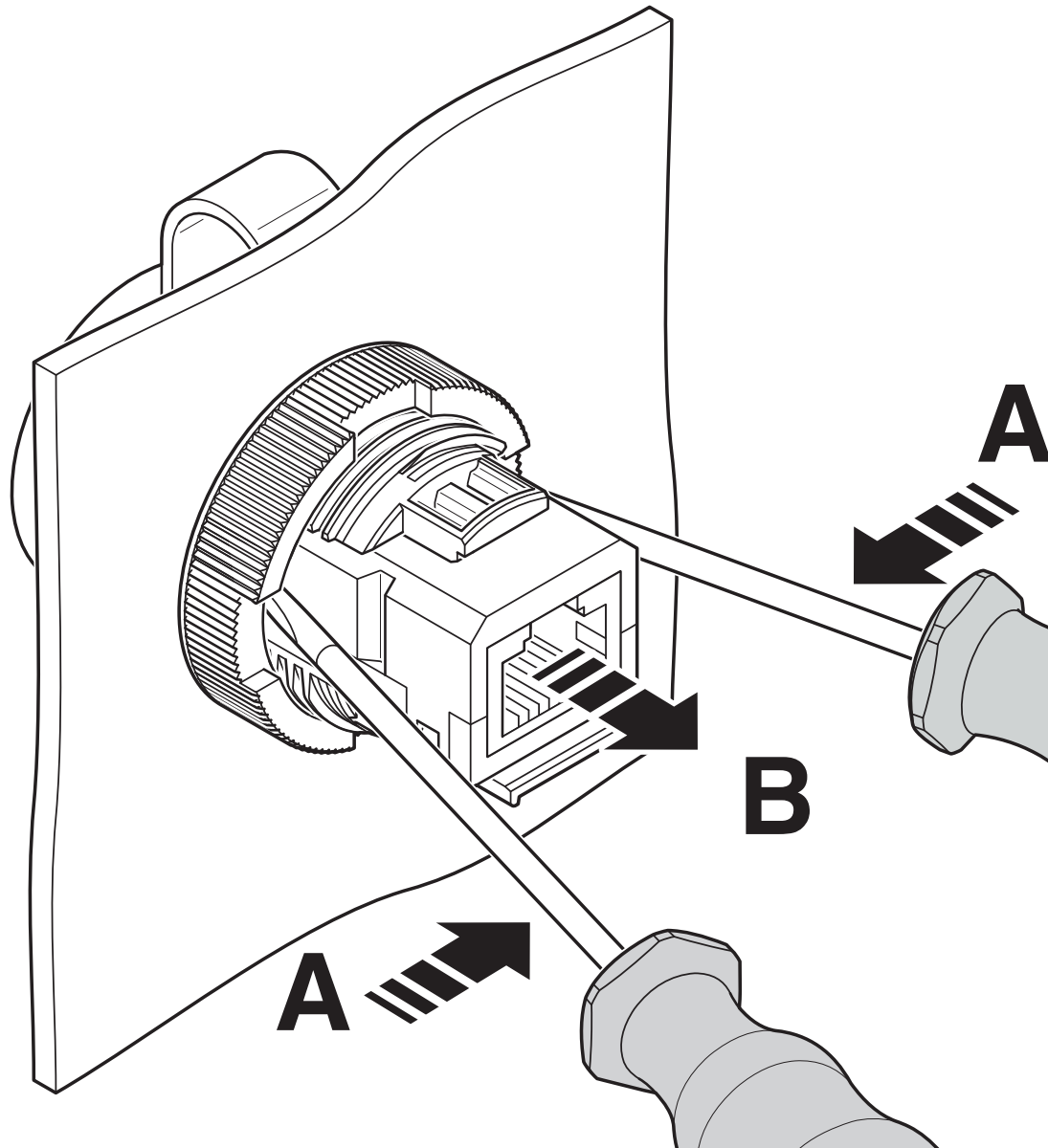
Data interface - SI-RND-R1A

1425186

<https://www.phoenixcontact.com/gb/products/1425186>



Schematic diagram



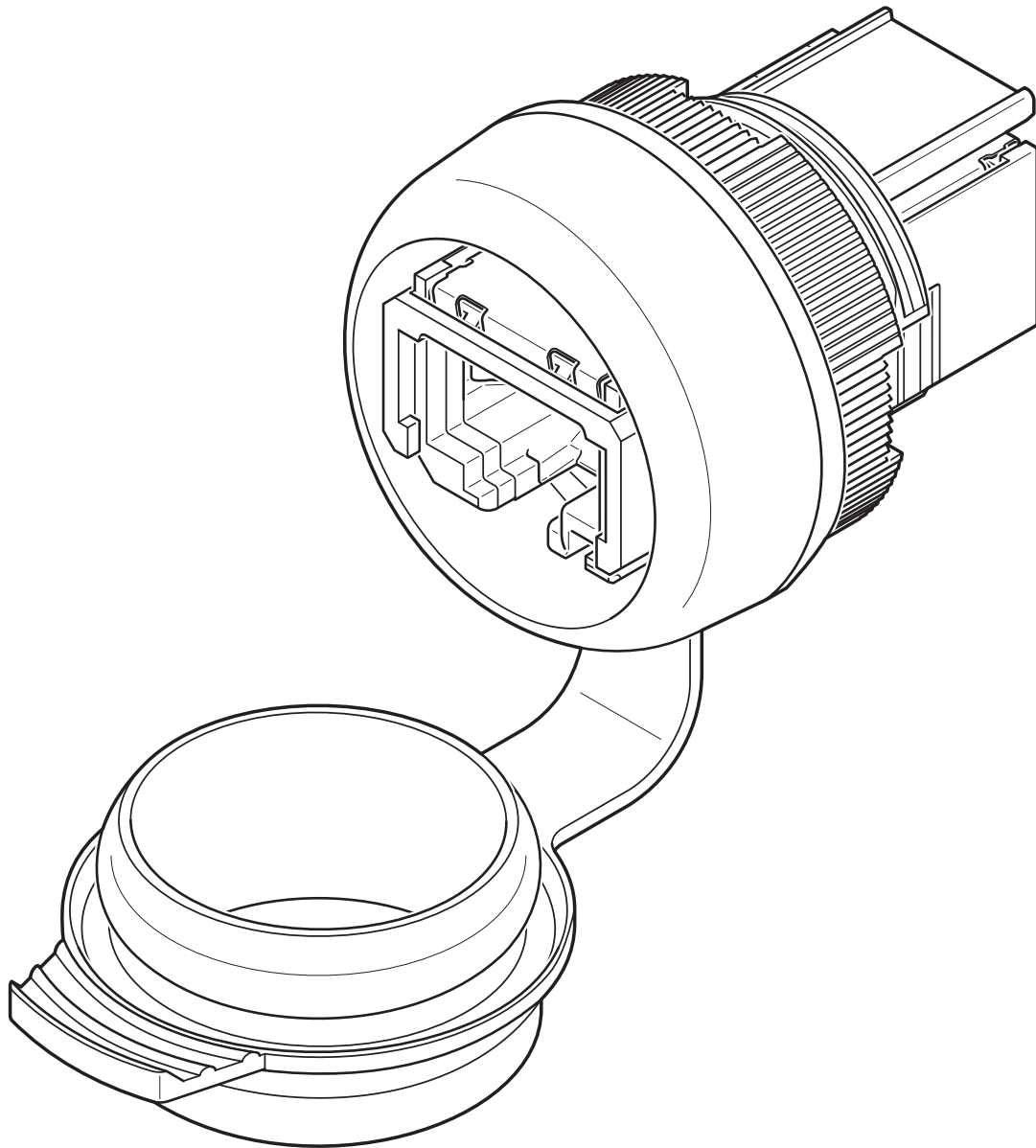
Schematic drawing 3

Data interface - SI-RND-R1A

1425186

<https://www.phoenixcontact.com/gb/products/1425186>

Schematic diagram



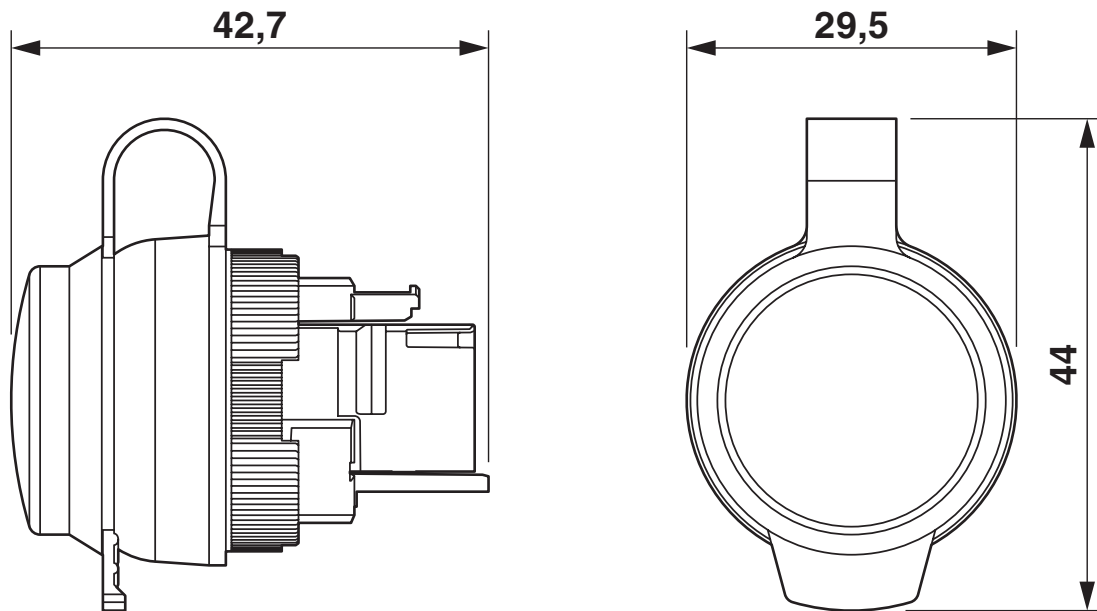
Schematic drawing 1

Data interface - SI-RND-R1A

1425186

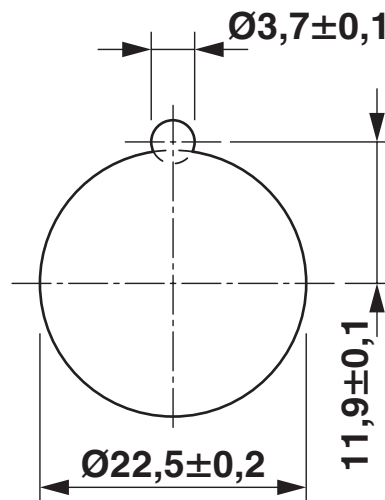
<https://www.phoenixcontact.com/gb/products/1425186>

Dimensional drawing



Dimensional drawing

Dimensional drawing



Mounting cutout

Data interface - SI-RND-R1A



1425186

<https://www.phoenixcontact.com/gb/products/1425186>

Approvals



UL Listed

Approval ID: FILE E 335024



cUL Listed

Approval ID: FILE E 335024

cULus Listed

1425186

<https://www.phoenixcontact.com/gb/products/1425186>

Classifications

ECLASS

ECLASS-9.0	27189217
ECLASS-10.0.1	27182806
ECLASS-11.0	27182806

ETIM

ETIM 8.0	EC000456
----------	----------

UNSPSC

UNSPSC 21.0	39121300
-------------	----------

Data interface - SI-RND-R1A



1425186

<https://www.phoenixcontact.com/gb/products/1425186>

Environmental Product Compliance

REACH SVHC	Lead 7439-92-1
China RoHS	Environmentally Friendly Use Period = 50 years
	For information on hazardous substances, refer to the manufacturer's declaration available under "Downloads"

Phoenix Contact 2022 © - all rights reserved

<https://www.phoenixcontact.com>

PHOENIX CONTACT Ltd
Halesfield 13, Telford
Shropshire, TF7 4PG
01952 681700
info@phoenixcontact.co.uk