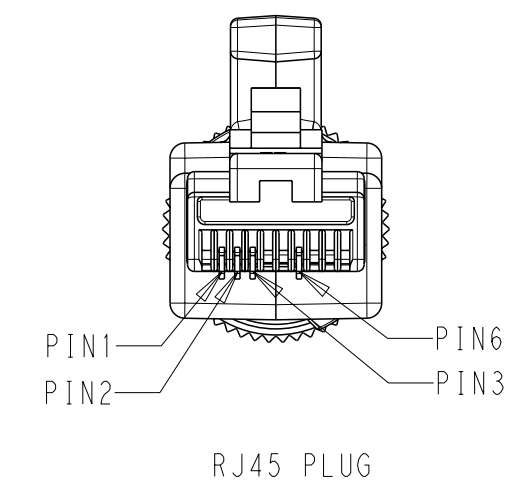
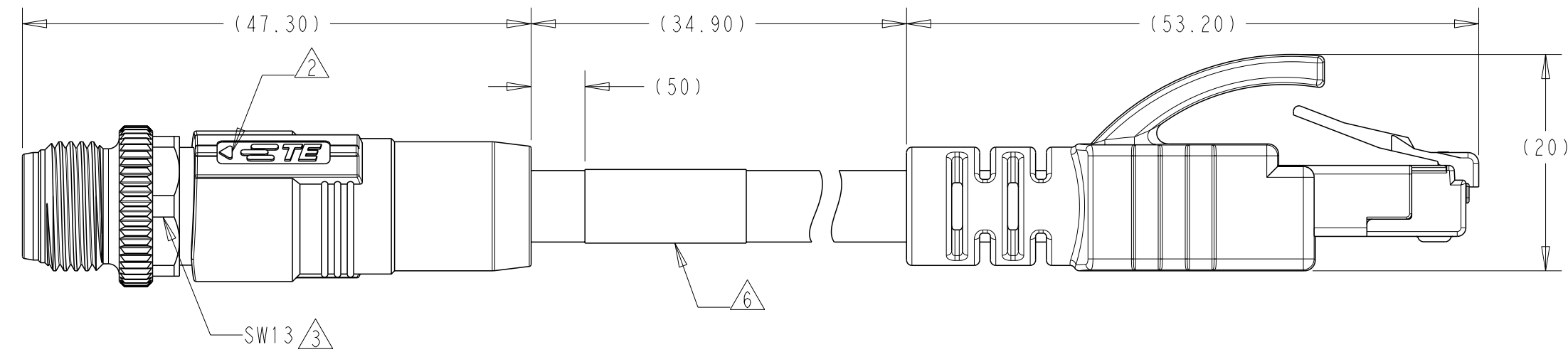
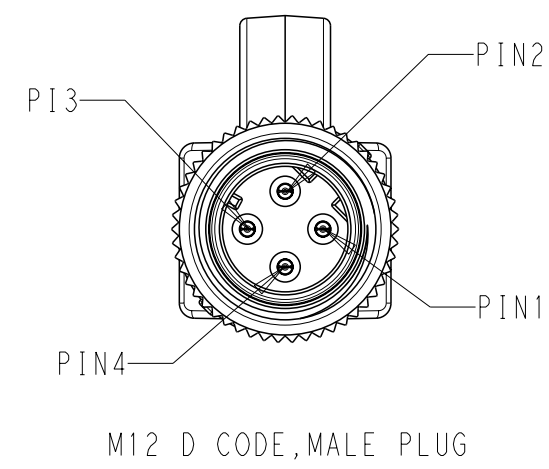
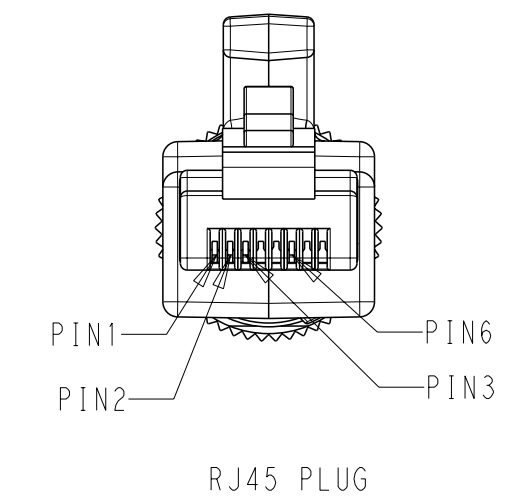
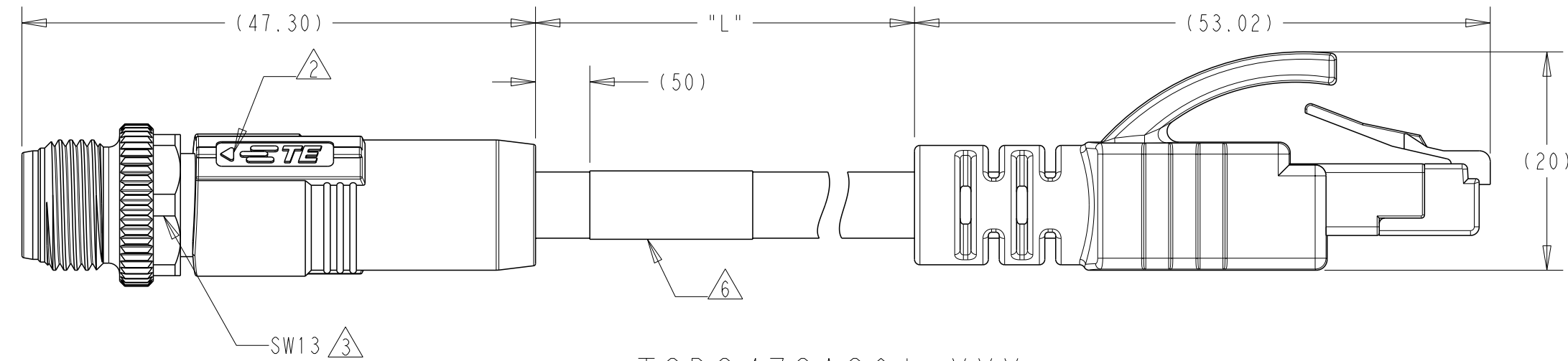
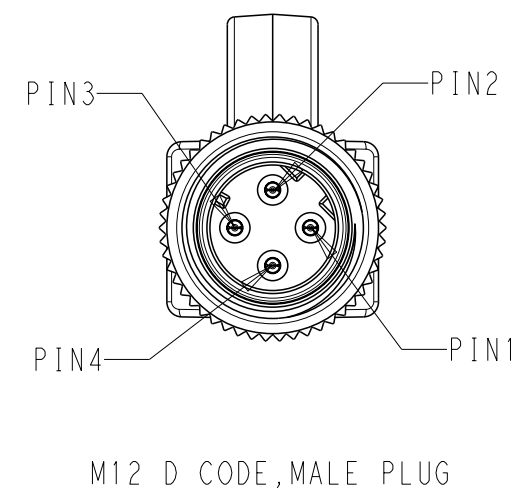
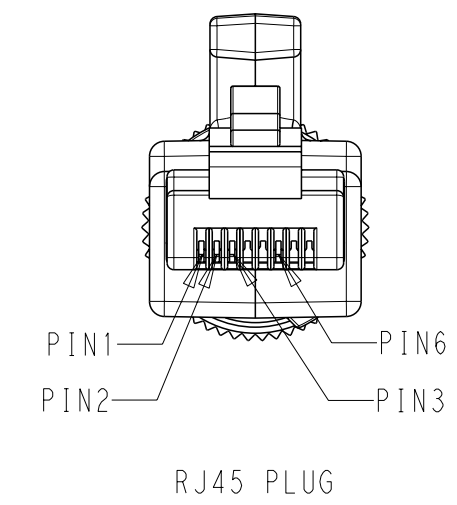
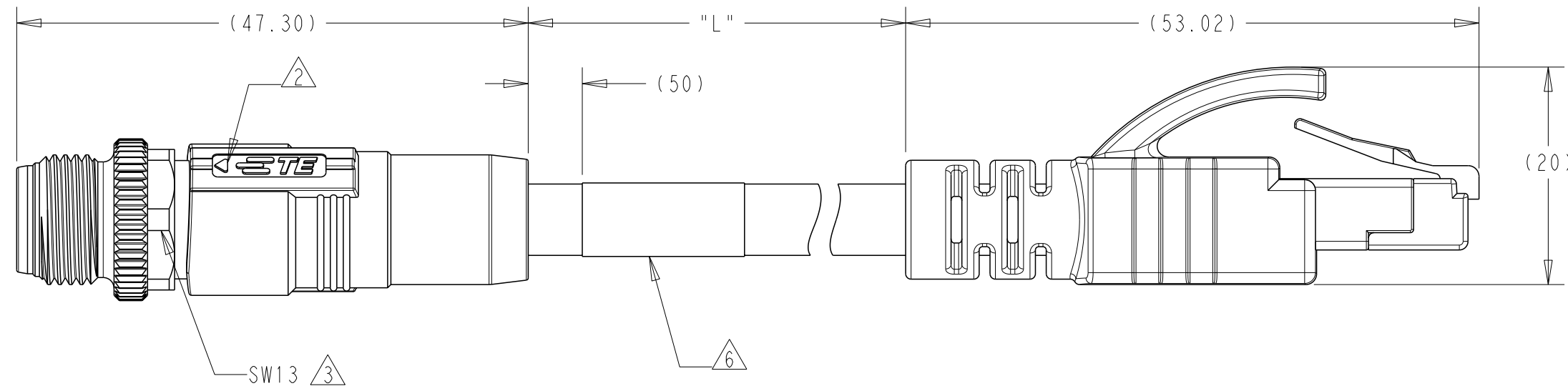
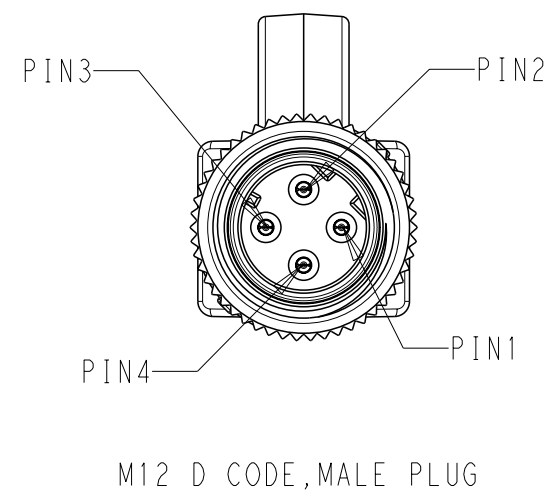


REVISIONS					
P	LTR	DESCRIPTION	DATE	DWN	APVD
A		INITIAL VERSION RELEASE	22SEP2020	F.Y	C.W
A1		PER ECR-21-001399	08FEB2021	F.Y	C.W



NOTE:

1. TECHNICAL DATA: SEE TABLE 1
  2. CODE POSITION INDICATOR.
  3. RECOMMENDED TORQUE 0.6NM
  4. -\*\* : CABLE LENGTH, FOR EXAMPLE: -0.5M
  5. CABLE ASSEMBLY TO BE PACKAGED AS PACKAGING SPECIFICATION
6. LABEL CONTAINS: PN, DATE CODE...
7. -XXX: FOR CABLE LENGTH, SEE TABLE 2 AND REFER TO LENGTH "L"

注释:

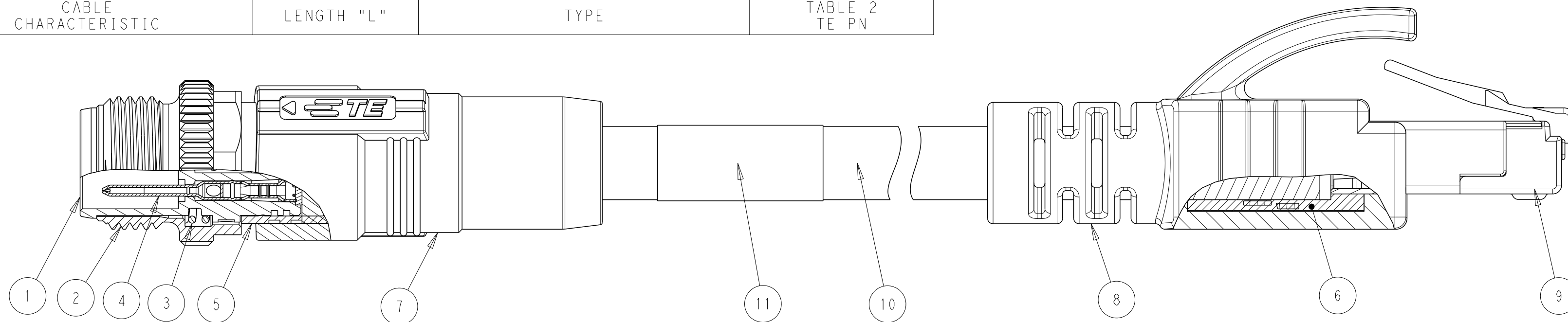
1. 技术参数: 参考表 1
2. CODE位置指示
3. 推荐扭力 0.6NM
4. -\*\* : 线缆长度 例如: -0.5M
5. 线缆组件按照包装规范包装;
6. 标签包含: 产品编号, 日期代码...
7. -XXX: 线缆长度, 参考表2, 参照长度 "L"

THIS DRAWING IS A CONTROLLED DOCUMENT.		DWN FENCER YU 22SEP2020	TE Connectivity	
DIMENSIONS: mm		CHK CHRIS WANG 22SEP2020		
TOLERANCES UNLESS OTHERWISE SPECIFIED:		APVD CHRIS WANG 22SEP2020	NAME M12 D CODE STRAIGHT PLUG 4P TO RJ45 STRAIGHT PLUG	
0 PLC ±		PRODUCT SPEC 108-137541	SIZE A2	
1 PLC ±		APPLICATION SPEC 114-137144	CAGE CODE 00779	DRAWING NO C-TCDX47XXXX1XXX
2 PLC ±		WEIGHT -	RESTRICTED TO -	
3 PLC ±		CUSTOMER DRAWING	SCALE 2:1	SHEET 1 OF 3
4 PLC ±			REV A1	
ANGLES ±				
FINISH -				

P	LTR	DESCRIPTION	DATE	DWN	APVD
		SEE SHEET 1			

CABLE CHARACTERISTIC	LENGTH "L"	TYPE	TABLE 2 TE PN
INDUSTRIAL ETHERNET CAT5E UNSHIELDED TPE CABLE, TEAL: WIRES: 2PRX24AWG WIRE COLOR: PAIR1-WHITE/ORANGE PAIR2-WHITE/GREEN OD: APPROX. 6.10MM TEMPERATURE RATING: 80°C UL OPERATING TEMP RATING: -40°C To +80°C	LENGTH STANDARD: -001: 0.5M -002: 1.0M -003: 1.5M -004: 3.0M -005: 5.0M -006: 7.0M -007: 10.0M	M12D4-MS-RJ-TPE-24UNSH-TEAL-**	TCD2473A201-XXX
INDUSTRIAL ETHERNET CAT5E SHIELDED TPE CABLE, TEAL: WIRES: 2PRX24AWG WIRE COLOR: PAIR1-WHITE/ORANGE PAIR2-WHITE/GREEN OD: APPROX. 6.60MM TEMPERATURE RATING: 80°C UL OPERATING TEMP RATING: -40°C To +80°C	CUSTOMIZATION: -99X: 0.XM (<1M) (-993: 0.3M) -XXX: XX.XM (>1M) (-155: 15.5M)	M12D4-MS-RJ-TPE-24SH-TEAL-**	TCD1473A201-XXX
INDUSTRIAL ETHERNET PROFINET TYPE B CAT5E SHIELDED PVC CABLE, GREEN: WIRES: 1X4X22AWG WIRE COLOR: WHITE/YELLOW/BLUE/ORANGE OD: APPROX. 6.5MM TEMPERATURE RATING: 80°C UL OPERATING TEMP RATING: -40°C To +80°C	TOLERANCE: 0-1M: ±0.05M 1-3M: ±0.1M >3M: ±1.5%	M12D4-MS-RJ-PVC-22SH-TYPE B GREEN-**	TCD14741111-XXX
INDUSTRIAL ETHERNET PROFINET TYPE C CAT5E SHIELDED PUR CABLE, GREEN: WIRES: 1X4X22AWG WIRE COLOR: WHITE/YELLOW/BLUE/ORANGE OD: APPROX. 6.65MM TEMPERATURE RATING: 80°C UL OPERATING TEMP RATING: -30°C To +70°C		M12D4-MS-RJ-PUR-22SH-TYPE C GREEN-**	TCD14745101-XXX

NOTES 备注	MATERIAL 材质	DESCRIPTION 描述	ITEM 序号	TCD14745101-XXX	TCD14741111-XXX	TCD1473A201-XXX	TCD2473A201-XXX
		LABEL	11	1	1	1	1
	PUR/PVC/TPE	CABLE	10	1	1	1	1
GOLD PLATED	-	RJ45 PLUG	9	1	1	1	1
BLACK	TPU/PVC	OUTER OVER MOLDING FOR RJ45 PLUG	8	1	1	1	1
BLACK	TPU/PVC	OUTER OVER-MOLDING FOR M12 D CODE	7	1	1	1	1
-	PE	INNER OVER MOLDING FOR RJ45 PLUG	6	1	1	1	1
NICKEL PLATED	COPPER ALLOY	MALE STRAIGHT SHELL	5	1	1	1	-
GOLD PLATED	COPPER ALLOY	MALE CONTACT	4	4	4	4	4
-	SUS	SPRING	3	1	1	1	1
NICKEL PLATED	COPPER ALLOY	M12, MALE NUT	2	1	1	1	1
BLACK	NYLON	M12, MALE HSG, D CODE, 4P	1	1	1	1	1



PIN ARRANGEMENT

SHIELDED		UNSHIELDED
TCD14745101-XXX TCD14741111-XXX: USE PUR AND PVC SHIELDED CABLE		TCD1473A201-XXX USE TPE SHIELDED CABLE
<p><b>CIRCUIT DIAGRAM</b></p> <p>M12                      RJ45</p> <p>SHIELD</p>	<p><b>CIRCUIT DIAGRAM</b></p> <p>M12                      RJ45</p> <p>SHIELD</p>	<p><b>CIRCUIT DIAGRAM</b></p> <p>M12                      RJ45</p>

RATED VOLTAGE	30V
RATED CURRENT	0.5A
POLLUTION DEGREE	3
OVERVOLTAGE CATEGORY	II
MATERIAL GROUP	II
INSULATION RESISTANCE	100MΩ
DEGREE OF PROTECTION(M12)	IP67
DEGREE OF PROTECTION(RJ45)	IP20
OPERATION TEMPERATURE	M12 D CODE: -40°C~85°C
	RJ45 PLUG: -25°C~60°C
	CABLE REFER TO TABLE 2

THIS DRAWING IS A CONTROLLED DOCUMENT.

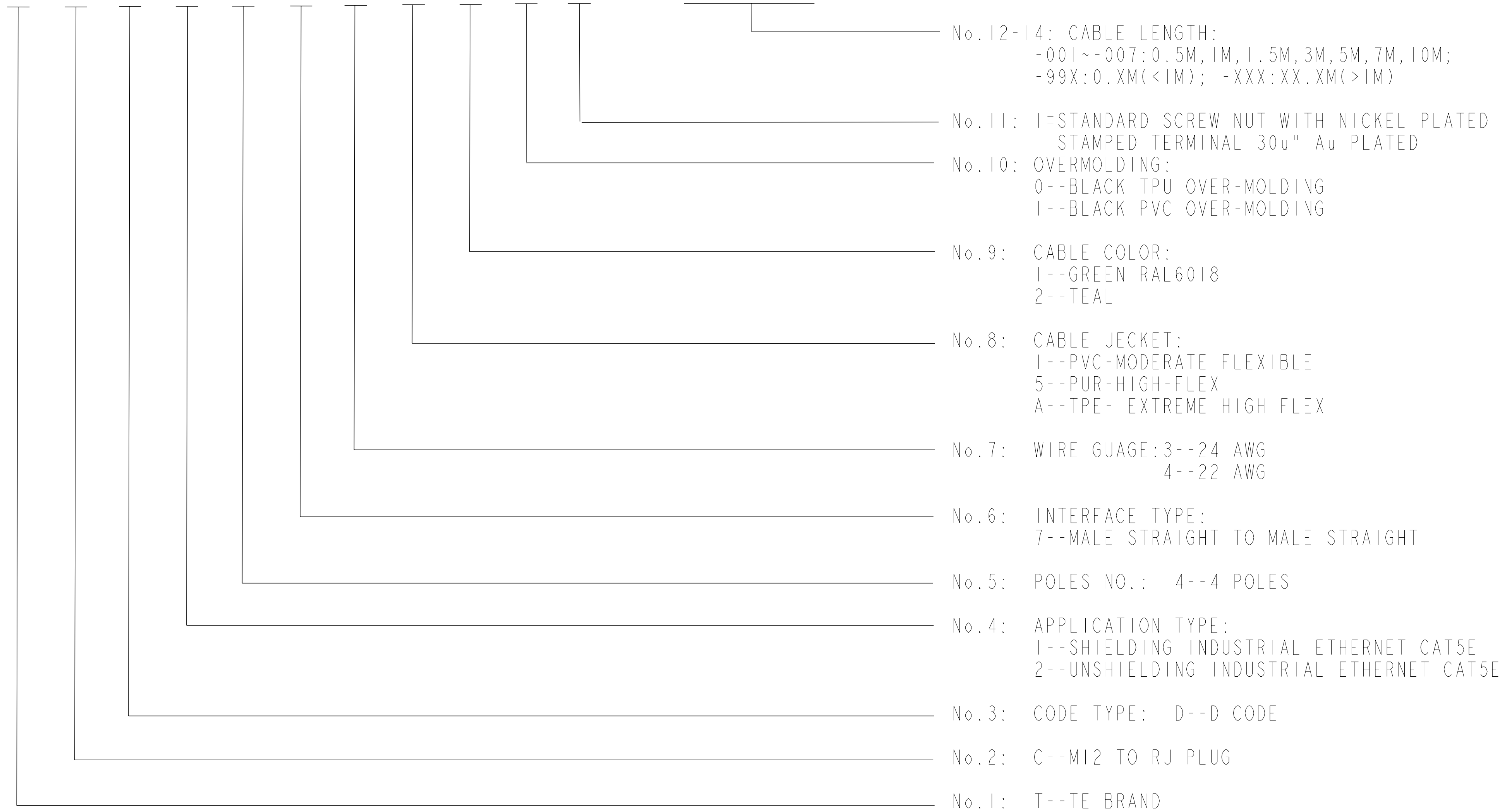
DIMENSIONS: mm	TOLERANCES UNLESS OTHERWISE SPECIFIED: 0 PLC ± 1 PLC ± 2 PLC ± 3 PLC ± 4 PLC ± ANGLES ± FINISH	DWN: FENCER YU 22SEP2020 CHK: CHRIS WANG 22SEP2020 APVD: CHRIS WANG 22SEP2020	TE Connectivity NAME: M12 D CODE STRAIGHT PLUG 4P TO RJ45 STRAIGHT PLUG SIZE: A2    CAGE CODE: 00779    DRAWING NO: TCDX47XXXX1XXX RESTRICTED TO: - SCALE: 2:1    SHEET: 2 OF 3    REV: A1
-------------------	---	---	--

MATERIAL: -    FINISH: -    WEIGHT: -    CUSTOMER DRAWING

P	LTR	DESCRIPTION	DATE	DWN	APVD
		SEE SHEET 1			

PRODUCT CODE:

T C D X X X X X X X - X X X



- No. 12-14: CABLE LENGTH:  
-001~-007: 0.5M, 1M, 1.5M, 3M, 5M, 7M, 10M;  
-99X: 0.XM(<1M); -XXX: XX.XM(>1M)
- No. 11: 1=STANDARD SCREW NUT WITH NICKEL PLATED STAMPED TERMINAL 30u" Au PLATED
- No. 10: OVERMOLDING:  
0--BLACK TPU OVER-MOLDING  
1--BLACK PVC OVER-MOLDING
- No. 9: CABLE COLOR:  
1--GREEN RAL6018  
2--TEAL
- No. 8: CABLE JACKET:  
1--PVC-MODERATE FLEXIBLE  
5--PUR-HIGH-FLEX  
A--TPE- EXTREME HIGH FLEX
- No. 7: WIRE GAUGE: 3--24 AWG  
4--22 AWG
- No. 6: INTERFACE TYPE:  
7--MALE STRAIGHT TO MALE STRAIGHT
- No. 5: POLES NO.: 4--4 POLES
- No. 4: APPLICATION TYPE:  
1--SHIELDING INDUSTRIAL ETHERNET CAT5E  
2--UNSHIELDING INDUSTRIAL ETHERNET CAT5E
- No. 3: CODE TYPE: D--D CODE
- No. 2: C--M12 TO RJ PLUG
- No. 1: T--TE BRAND

THIS DRAWING IS A CONTROLLED DOCUMENT.		DWN FENCER YU 22SEP2020	TE Connectivity	
		CHK CHRIS WANG 22SEP2020		
DIMENSIONS: mm		APVD CHRIS WANG 22SEP2020	NAME M12 D CODE STRAIGHT PLUG 4P TO RJ45 STRAIGHT PLUG	
TOLERANCES UNLESS OTHERWISE SPECIFIED: 0 PLC ± 1 PLC ± 2 PLC ± 3 PLC ± 4 PLC ± ANGLES ± FINISH		PRODUCT SPEC 108-137541	RESTRICTED TO	
MATERIAL		APPLICATION SPEC 114-137144	SIZE A2	CAGE CODE 00779
		WEIGHT	DRAWING NO C=TCDX47XXXX1XXX	
		CUSTOMER DRAWING	SCALE 2:1	SHEET 3 OF 3
			REV A1	