

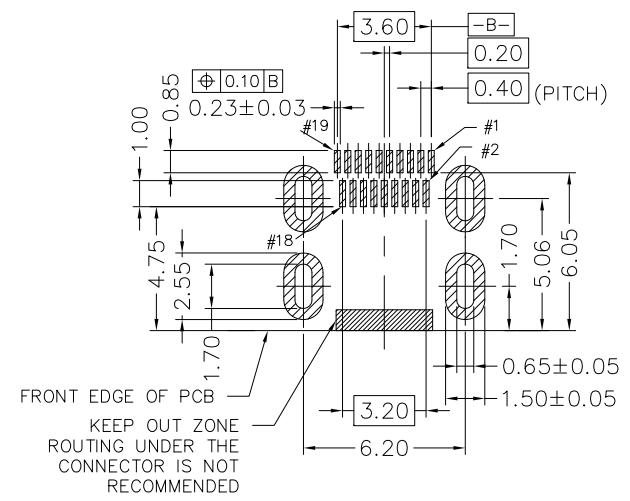
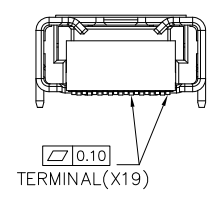
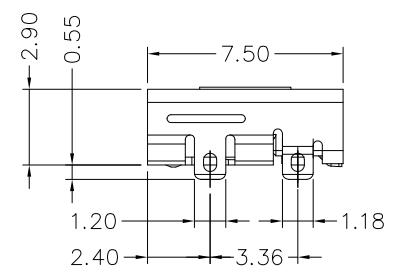
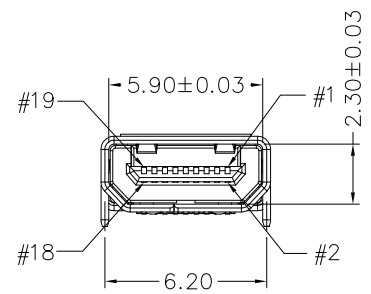
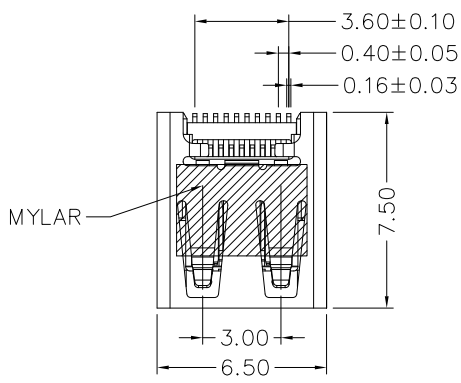
PART NUMBER
10118242-0X1RLF

PART NO. DESCRIPTION:
10118242-0XXXLF

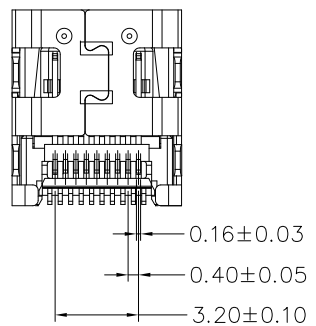
- LEAD FREE
- PACKING TYPE
R: TAPE & REEL
- CONTACT AREA PLATING
1: Au 15u"
2: Au 30u"
- COLOR OPTION
0: BLACK
1: NATURAL

NOTES:

- MATERIAL:
HOUSING: LCP+30%GF ,UL94 V-0,BLACK OR NATURAL
TERMINAL: COPPER ALLOY.
SHELL: STAINLESS STEEL
- FINISH:
CONTACT AREA: GOLD PLATED
SOLDER AREA: GOLD FLASH PLATED
SHELL: TIN PLATED
NICKEL PLATED UNDER OVER ALL
- PRODUCT SPECIFICATION: GS-12-0983.
- PACKAGING SPECIFICATION: GS-14-2164.
- THE PRODUCT MEETS EUROPEAN UNION DIRECTIVES AND OTHER COUNTRY REGULATIONS AS DESCRIBED IN GS-22-008,
- THE CONNECTOR CAN WITHSTAND EXPOSURE TO 260 DEGREE C PEAK TEMPERATURE FOR 10 SECONDS IN IR REFLOW OVEN.



RECOMMENDED PCB LAYOUT (.XX±0.05)
CONNECTOR SIDE (TOP VIEW)



mat'l. code HPL528		surface ISO 1302 ✓		tolerance ASME Y14.5		projection MM		product family HDMI	
ltr	ecn	no	dr	date	angles	linear	scale 1:1	title HDMI TYPE D RECEPTACLE	
A		LS		09/13/11		.X±0.25			
B	ELX-N-012816	ZK		09/07/12		.XX±0.20			
C	ELX-N-16428	HENRY		12/04/13	±1'	.XXX±			
D	ELX-N-24781	TONY		08/23/16	dr	LEIF_SHEN	09/13/11	dwg no sheet 1 of 1 size 5	
E	ELX-N-25475	TONY		11/25/16	engr	LEIF_SHEN	09/13/11	10118242 A3	
F	ELX-N-25898	TONY		01/12/17	chr	GARY_HSIEH	09/13/11	type CUSTOMER Drawing	
sheet index		revision		F					
		sheet		1					