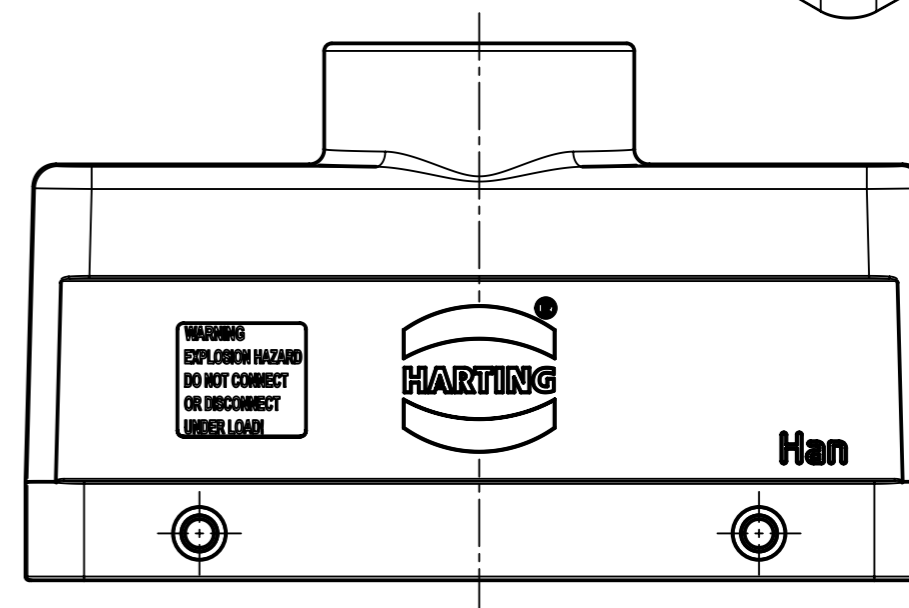
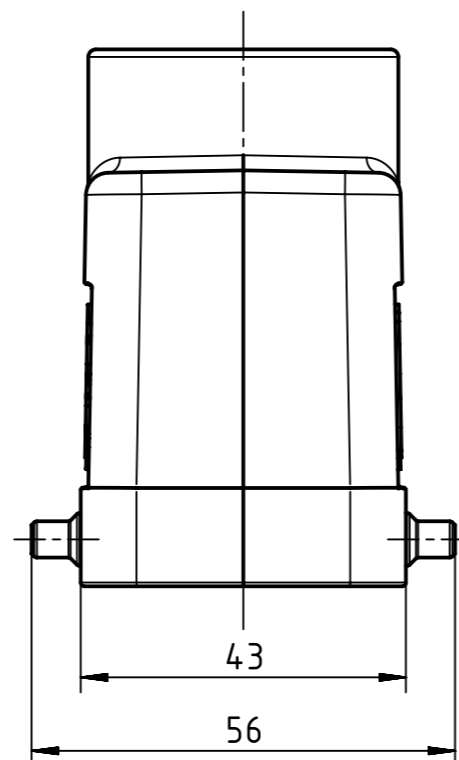
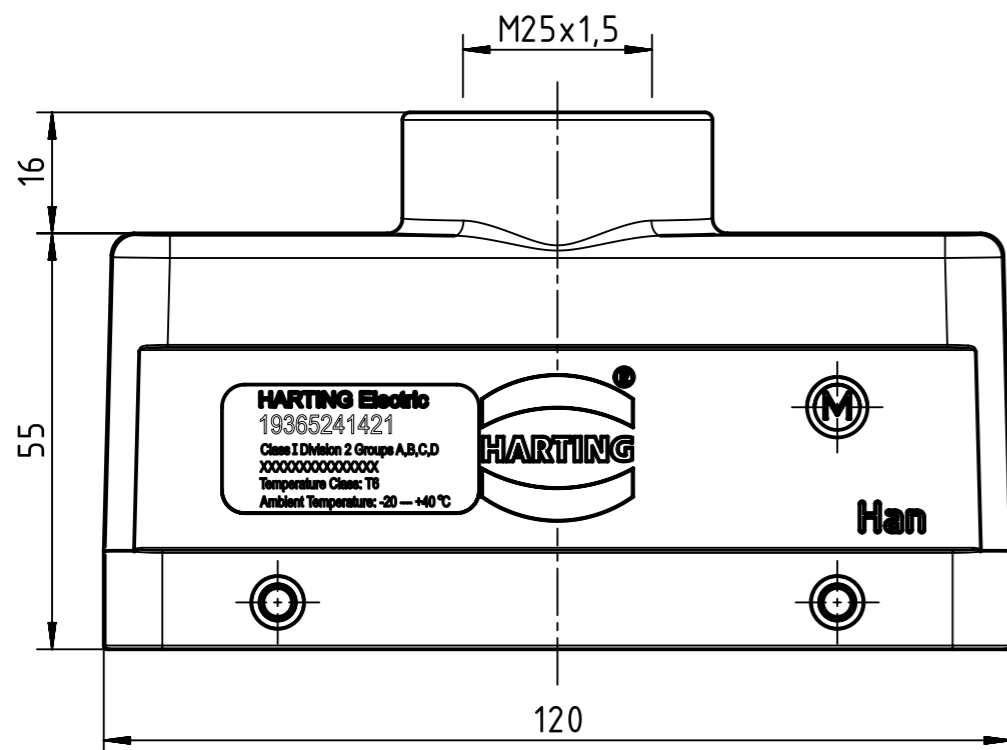
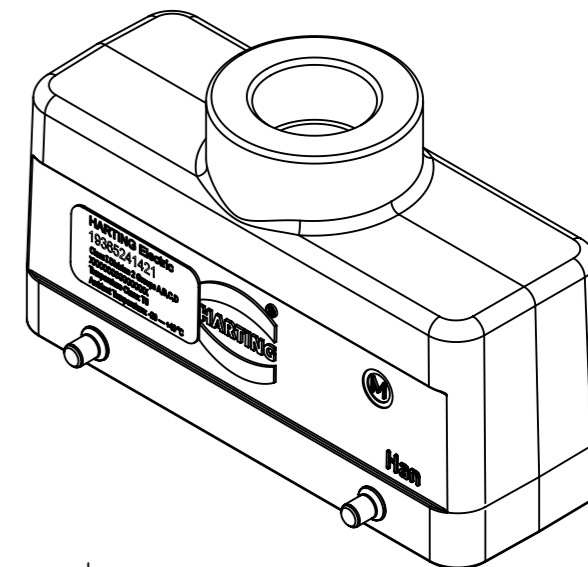


FOR USE WITH AWG 12, 14 AND 16

FOR USE WITH CABLE TYPE:
PLTC, PLTC-ER, ITC, ITC-ER, MC, MV AND TC

FOR USE IN CLASS I, DIVISION 2 GROUPS A, B, C AND D
HAZARDOUS LOCATIONS OR UNCLASSIFIED LOCATIONS



WARNING
EXPLOSION HAZARD
DO NOT CONNECT
OR DISCONNECT
UNDER LOAD!

THE INSTALLATION MUST BE IN ACCORDANCE WITH THE ASSOCIATED LOCATION RESTRICTIONS OF THE NATIONAL ELECTRIC CODE OR CANADIAN ELECTRICAL CODE AS APPLICABLE, INCLUDING ISSUES SUCH AS THE ROUTING, SUPPORT AND LENGTH OF THE INVOLVED CORD OR CABLE.

	All rights reserved Department EL PD - CN	All Dimensions in mm Original Size DIN A3			Scale 1:1	Free size tol.	Ref.
		Created by LONGL			Inspected by WENE	Standardisation RUETERA	Date 2018-06-27
HARTING (Zhuhai) Manufacturing Co., Ltd. 519085 Zhuhai, China		Title Han 24Ex UL-HTE-M25				Doc-Key / ECM-Nr. 100670249/UGD/000/C 500000136860	
Type TB		Number 19 36 524 1421				Rev. C	Page 1/2

