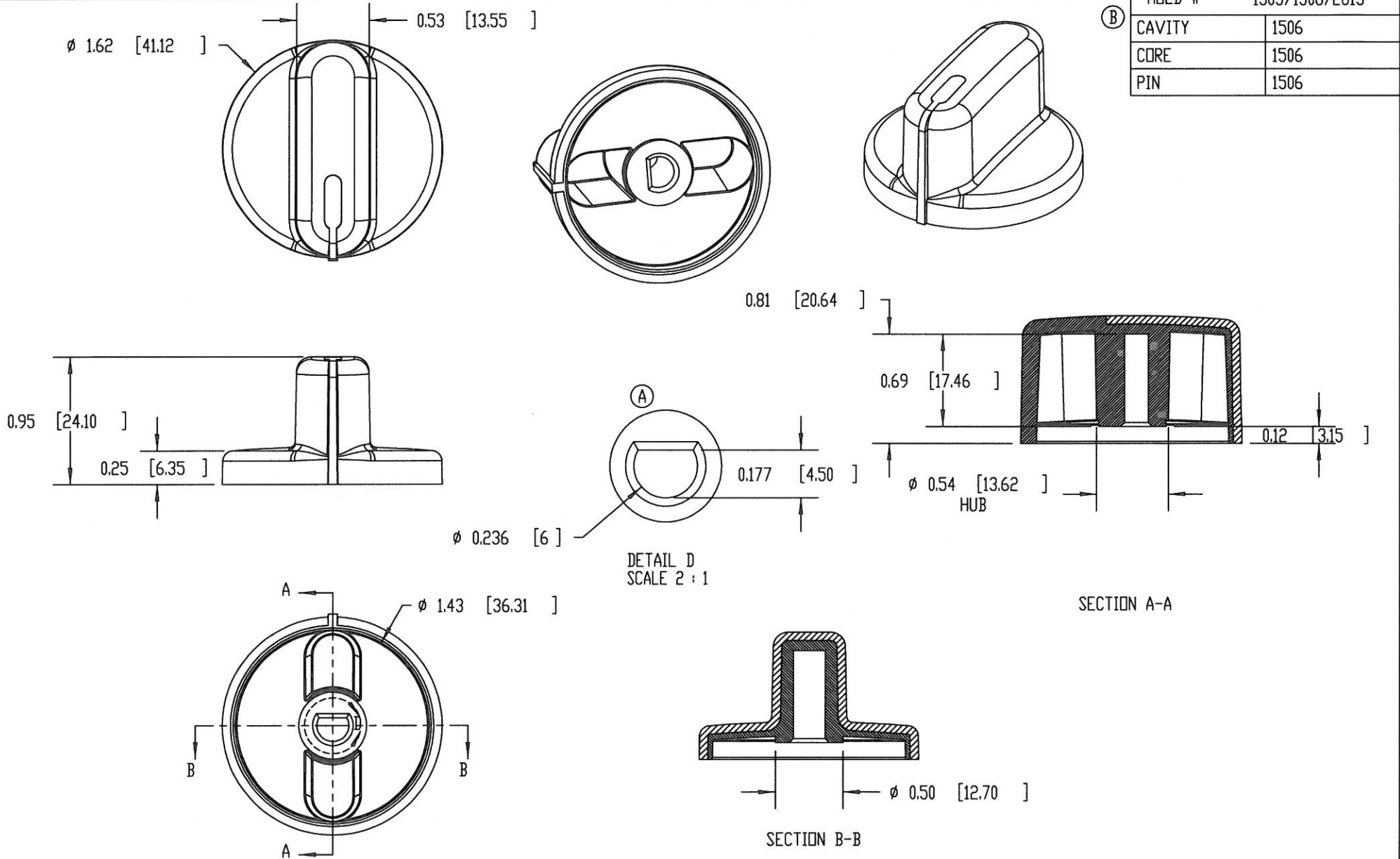


PART NAME: KNOB      SCALE: 1:1      DATE: 2/1/07      DR. BY: JAM

THIS DRAWING IS THE PROPERTY OF DAVIES MOLDING COMPANY, IS SUBMITTED SOLELY AS A DESIGN OR ENGINEERING PROJECT.  
WE ACCEPT NO RESPONSIBILITY WHATSOEVER FOR THE PRACTICAL APPLICATION OF THE PIECES MADE TO THIS DESIGN.

DAVIES MOLDING COMPANY  
CAROL STREAM, ILLINOIS 60188

P/N	1506
MOLD #	1505/1506/2813
CAVITY	1506
CORE	1506
PIN	1506



MATERIAL: SUBSTRATE: POLYPROPYLENE (CLD)  
OVERMOLD: TPE (TPE3)

COLOR: SUBSTRATE: WHITE (PC23083)  
OVERMOLD: BLACK

TOLERANCES: UNLESS OTHERWISE SPECIFIED	DO NOT SCALE DRAWING			
DECIMALS: X.XXX $\pm$ .005 X.XX $\pm$ .015	MM: X.XX $\pm$ 0.15MM XX $\pm$ 0.4MM	B	MOLD # WAS 1506	JAM 12/14/09
FRACTIONS $\pm$ 1/64	ANG. $\pm$ 1°	A	TURNED "D" HOLE 180°	JAM 5/14/07
		-	WAS SK1506-07	JAM 2/1/07
CHANGES				