

# MICRO SWITCH

FREEPORT ILLINOIS, U.S.A  
A DIVISION OF HONEYWELL INC.  
FED. MFG. CODE 91929

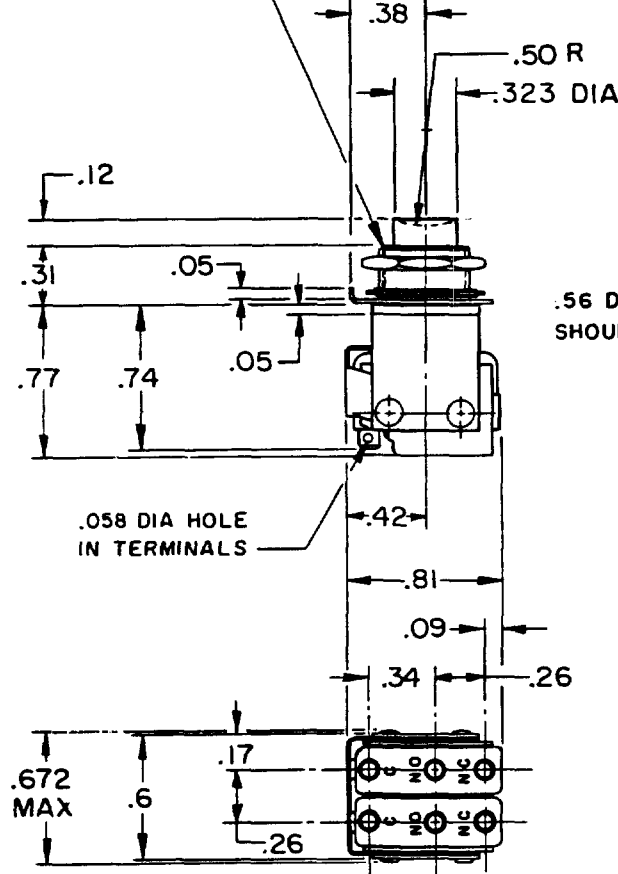
# ASSEMBLY

# PUSHBUTTON SWITCH

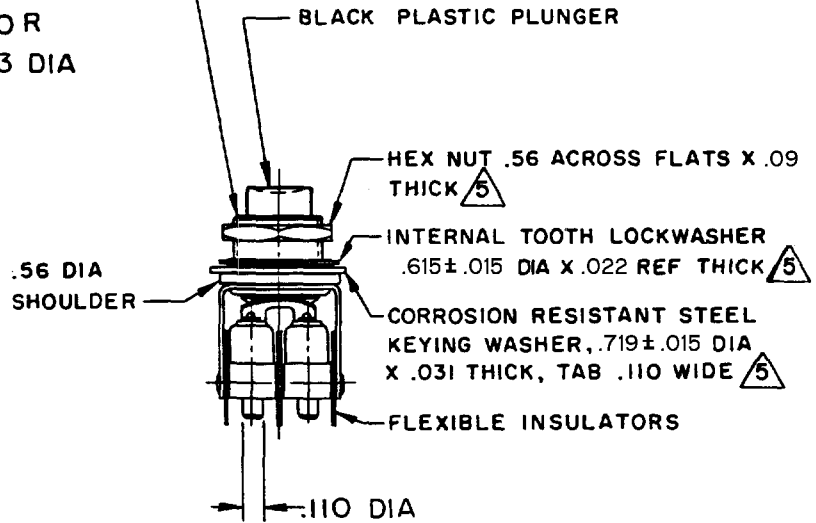
CATALOG LISTING

# 2 P B 7

.072 WIDE X .038 DEEP KEYWAY



15/32-32 UNS THREAD TO WITHIN .094 OF SHOULDER

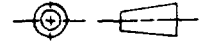


### NOTES

- 1 - UNIT INCLUDES CAT. LIST. "1SM" TYPE BASIC SWITCH (2)
  - 2 - TERMINALS ARE PLATED FOR SOLDERING
  - 3 - BASIC SWITCHES OPERATE WITHIN .008 OF EACH OTHER (PUSHBUTTON PLUNGER TRAVEL)
  - 4 - UNIT WILL PERFORM SATISFACTORILY IN TEMPERATURES TO MINUS 65°F
- △ 5 MOUNTING HARDWARE FURNISHED UNASSEMBLED

THIS DRAWING COVERS A PROPRIETARY ITEM AND IS THE PROPERTY OF MICRO SWITCH, A DIVISION OF HONEYWELL. THIS DRAWING IS NOT TO BE COPIED OR USED WITHOUT THE APPROVAL OF MICRO SWITCH.

THIRD ANGLE PROJECTION



### CHARACTERISTICS

OPERATING FORCE - 1 1/2 LB APPROX

### ELECTRICAL DATA

CONTACT ARRANGEMENT  
S P D T (2)

250 VAC	---	---	---	---	5 AMP
30 VOLTS DC RATING					
INDUCTIVE	---	SEA LEVEL	---	---	3 AMP
		50,000 FT	---	---	2.5 AMP
RESISTIVE	---	SEA LEVEL	---	---	5 AMP
		50,000 FT	---	---	5 AMP
MAXIMUM INRUSH	---	---	---	---	24 AMP

SCALE FULL

DO NOT SCALE PRINT

UNLESS OTHERWISE SPECIFIED TOLERANCES ARE

ONE PLACE (.0) ± .030

TWO PLACE (.00) ± .015

THREE PLACE (.000) ± .005

ANGLES ±

RAW MATERIAL - COMMERCIAL STANDARD

DIMENSIONS ARE IN INCHES AND ARE TO BE MET BEFORE PROTECTIVE COATINGS ARE APPLIED

MICRO SWITCH STANDARDS APPLY

WEIGHT

M 2 PB7  
PAGE 1 OF 1

DRAWING NUMBER

ISSUE 10

REVISIONS

A	C055841	OBS.DWG	T A D	27 DEC 84
B	PR-13559	RE-INST	T A D	27 DEC 84
C	CO-93593	PPF	J A F	22 OCT 98

REPLACES PR-13559  
CHECK 22 OCT 98  
CHECK J A F  
CHECK 22 OCT 98  
CHECK C E C  
CHECK 84  
DRAWN T A D 27 DEC 84

FO-52B48-A

# Mouser Electronics

Authorized Distributor

Click to View Pricing, Inventory, Delivery & Lifecycle Information:

[Honeywell:](#)

[2PB7](#)