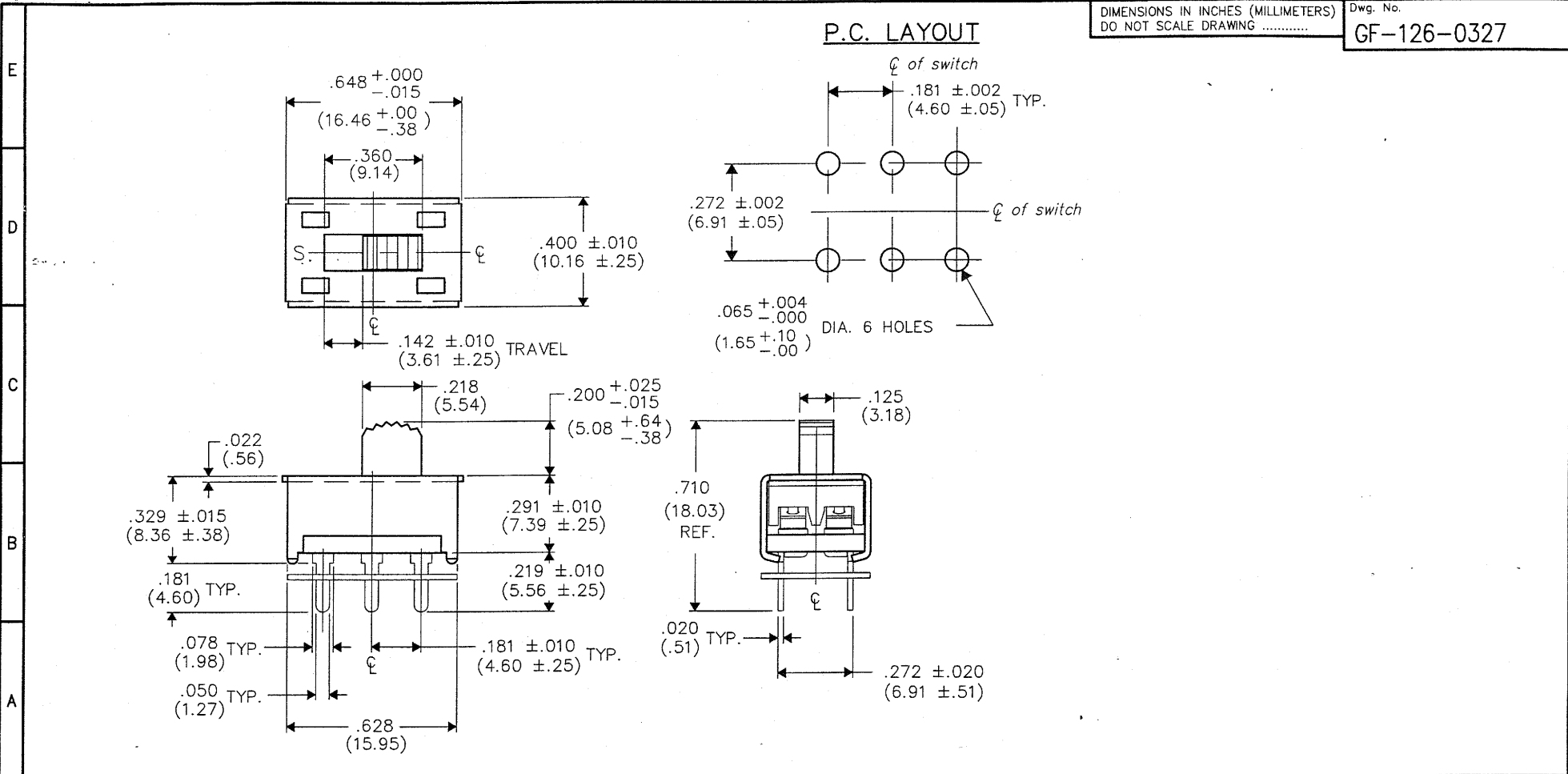
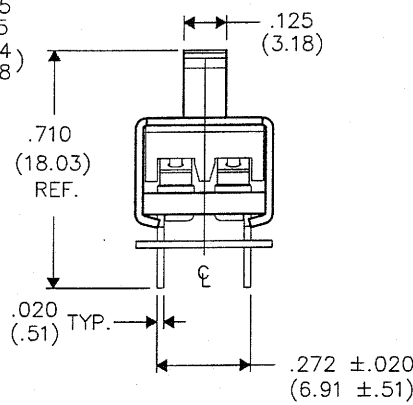
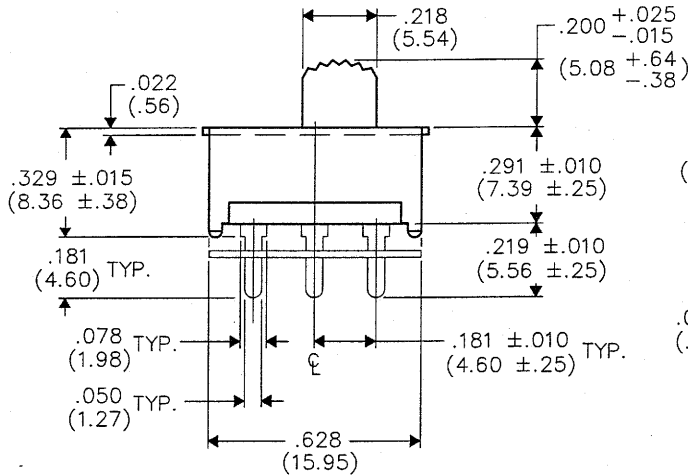
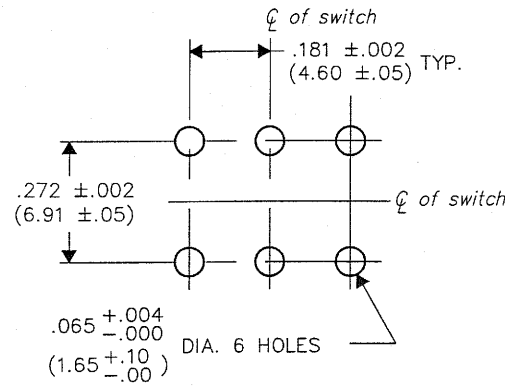
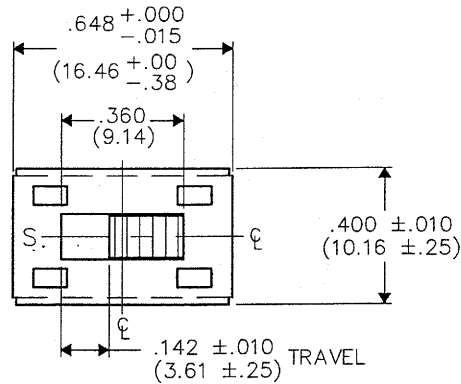


DIMENSIONS IN INCHES (MILLIMETERS)
DO NOT SCALE DRAWING

Dwg. No.

GF-126-0327

P.C. LAYOUT



B-FORMAT 2002 REVISIONS RELEASED: 10-24-2007 DWG NOV 02 2007							CW INDUSTRIES Southampton, Pa. 18966		Title: SWIDGET ASSEMBLY D.P.- D.T. RAD. KNURL	
							TOLERANCES UNLESS OTHERWISE SPECIFIED 2 Place Decimal ±.010 METRIC 3 Place Decimal ±.005 1 Place Dec. ±.25mm Angles ±1' 2 Place Dec. ±.13mm		Division: SWITCH	
							Made for: CW IND.		Dwg. No. GF-126-0327	
							Drawn by: DGW 10-24-2007 Checked by: G.G. 10-31-07 Approved: G.G. 10-31-07		Dwg. No. GF-126-0327	

MASTER

Mouser Electronics

Authorized Distributor

Click to View Pricing, Inventory, Delivery & Lifecycle Information:

[CW Industries:](#)

[GF-126-0028](#) [GF-126-0159](#)