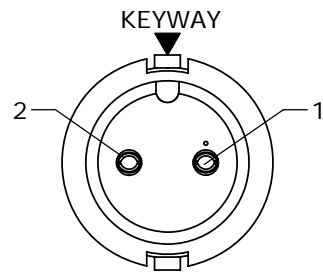


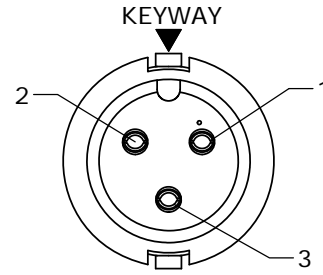
CUSTOMER PRINT

PART NUMBER: 6282-XSG-3XX(CCX)

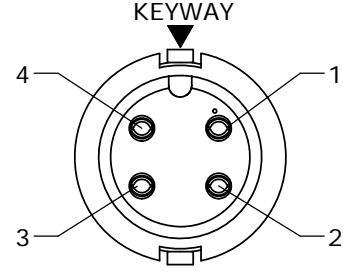
- NOTES:**  
 1. ALL PARTS TO BE BULK PACKED.  
 2. CONTACTS TO BE INSERTED IN CONNECTOR



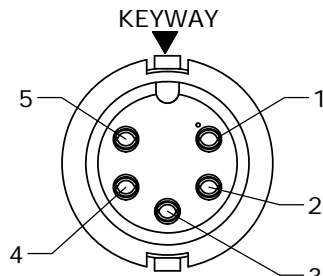
**FACE VIEW**  
P/N: 6282-2SG-3XX



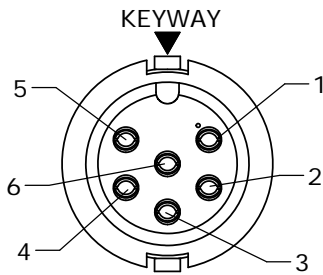
**FACE VIEW**  
P/N: 6282-3SG-3XX



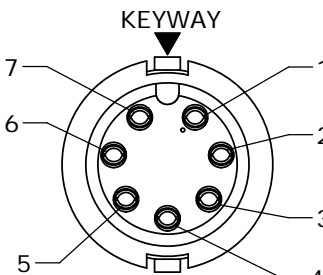
**FACE VIEW**  
P/N: 6282-4SG-3XX



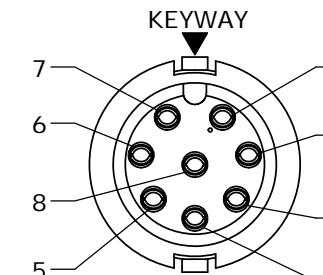
**FACE VIEW**  
P/N: 6282-5SG-3XX



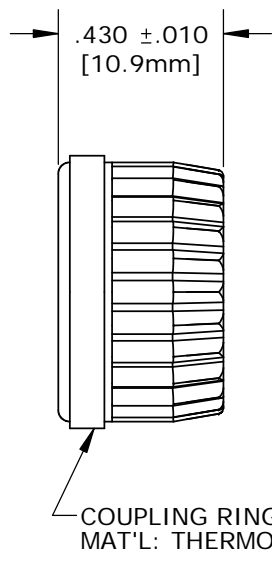
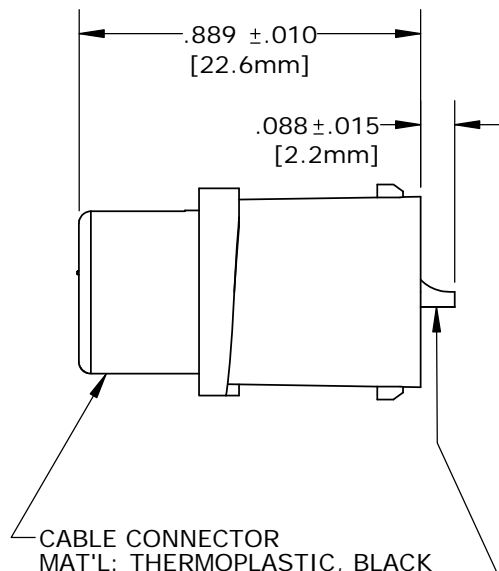
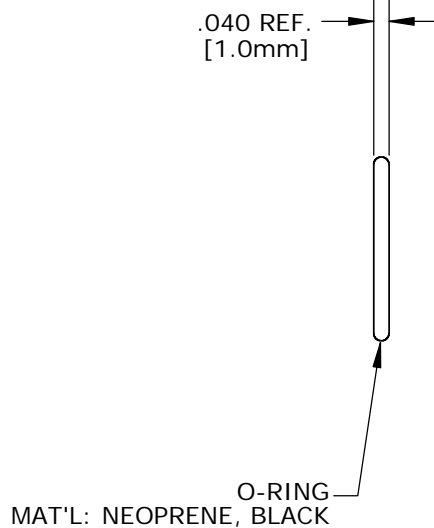
**FACE VIEW**  
P/N: 6282-6SG-3XX



**FACE VIEW**  
P/N: 6282-7SG-3XX

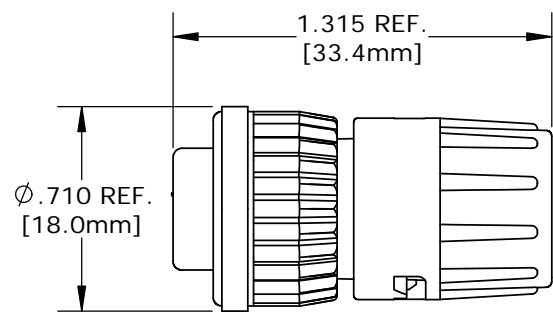


**FACE VIEW**  
P/N: 6282-8SG-3XX



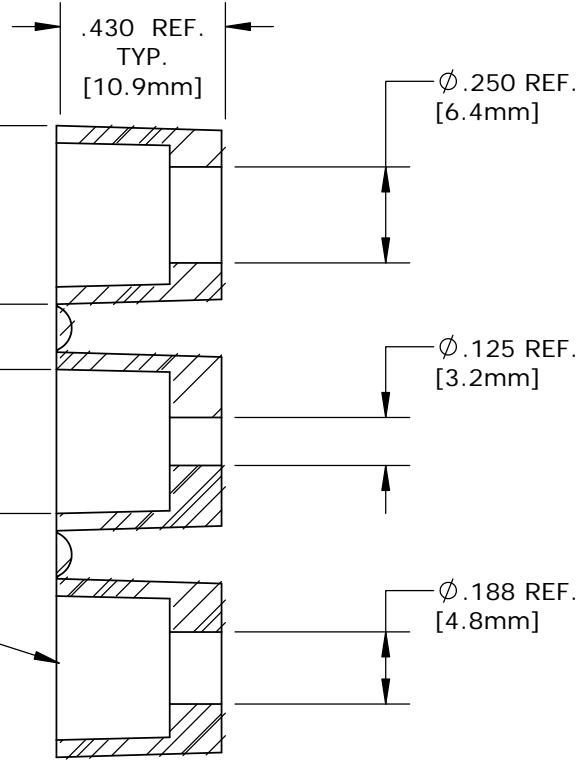
GROMMET, DAISY CHAIN  
MAT'L: RUBBER, BLACK  
FOR 6282-XSG-3DC

(2-8) #20 SOCKET CONTACTS  
MAT'L: GOLD PLATED  
COPPER ALLOY



**SHOWN ASSEMBLED KIT**  
FOR CUSTOMER REFERENCE ONLY

DIMENSIONS IS BRACKETS [ ] ARE METRIC



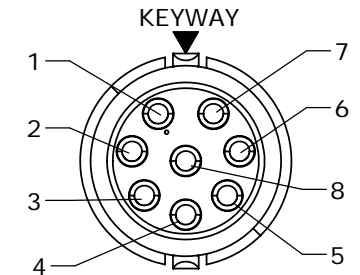
SINGLE GROMMET  
MAT'L: RUBBER, BLACK  
6282-XSG-311 .125 I.D FOR CABLES .09-.14 [2.3-3.5mm] O.D.  
6282-XSG-315 .159 I.D FOR CABLES .15-.17 [3.8-4.3mm] O.D.  
6282-XSG-318 .187 I.D FOR CABLES .18-.20 [4.6-5.1mm] O.D.  
6282-XSG-321 .225 I.D FOR CABLES .21-.23 [5.3-5.8mm] O.D.

NUMBER OF CONTACTS — GROMMET SIZE FOR SINGLE GROMMET OR "DC" FOR DAISY CHAIN

KIT P/N	GROMMET SIZE
6282-XSG-3DC	DAISY CHAIN
6282-XSG-311	CABLE O.D. .09-.14 [2.3-3.5mm]
6282-XSG-315	CABLE O.D. .15-.17 [3.8-4.3mm]
6282-XSG-318	CABLE O.D. .18-.20 [4.6-5.1mm]
6282-XSG-321	CABLE O.D. .21-.23 [5.3-5.8mm]

ASSY P/N	NO. OF CONTACTS
6282-2SG-3XX	2 #20
6282-3SG-3XX	3 #20
6282-4SG-3XX	4 #20
6282-5SG-3XX	5 #20
6282-6SG-3XX	6 #20
6282-7SG-3XX	7 #20
6282-8SG-3XX	8 #20
6282-XSG-3XX	

ASS'Y P/N	COUP. RING COLOR
6282-XSG-3XXCC1	WHITE
6282-XSG-3XXCC2	RED
6282-XSG-3XXCC3	BLUE
6282-XSG-3XXCC4	LIGHT GREY
6282-XSG-3XXCC5	YELLOW
6282-XSG-3XXCC6	MAROON
6282-XSG-3XXCC7	GREEN



**WIRE VIEW**  
SHOWN 6282-8SG-3XX

**CUSTOMER APPROVAL**  
 THIS DOCUMENT CONTAINS CONFIDENTIAL INFORMATION PROPRIETARY TO CONXALL CORPORATION. ANY REPRODUCTION, DISCLOSURE, OR USE OF THIS DOCUMENT /INFORMATION IS EXPRESSLY PROHIBITED UNLESS AUTHORIZED IN WRITING BY CONXALL CORPORATION.  
 APPROVED BY: \_\_\_\_\_  
 DATE: \_\_\_\_\_

B	SS	11-07-18	ADDED CHART FOR COUPLING RING COLOR PER DOR 18-E149SL #25
A	AN	12-08-16	CONVERTED TO FAMILY DRAWING, ADDED 6282-6SG-3XX, SUPERSEDED 2-5 POS. & 7-8 POS. DRAWINGS. PER DOR 16-E149SL #20
REV.	INIT.	DATE	DESCRIPTION
			ALL INFORMATION ILLUSTRATED IS THE PROPERTY OF "CONXALL CORPORATION". UNAUTHORIZED DUPLICATION OR DISTRIBUTION OF THIS DOCUMENT IS PROHIBITED.
ORIG. DRAWN BY:		DATE:	601 E. WILDWOOD VILLA PARK, IL 60181
CHECKED BY:		12-07-16	
APPROVED BY:		TITLE: CABLE CONNECTOR KIT (2-8) #20 SOCKET CONTACTS MINI-CON-X STANDARD PRODUCT	
SCALE	SIZE	SHEET	CUSTOMER:
NTS	B	1 OF 1	STANDARD PRODUCT
FILE:	DIRECTORY:	PART NUMBER:	REV
6282-XSG-3XX(CCX)	SLW	6282-XSG-3XX(CCX)	B

**RoHS COMPLIANT**

# Mouser Electronics

Authorized Distributor

Click to View Pricing, Inventory, Delivery & Lifecycle Information:

## Switchcraft:

[6282-5SG-3DC](#) [6282-3SG-3DC](#) [6282-2SG-3DC](#) [6282-6SG-3DC](#) [6282-4SG-3DC](#) [6282-2SG-311](#) [6282-2SG-315](#)  
[6282-2SG-318](#) [6282-2SG-321](#) [6282-2SG-3XX](#) [6282-3SG-311](#) [6282-3SG-315](#) [6282-3SG-318](#) [6282-3SG-321](#) [6282-3SG-3XX](#)  
[6282-4SG-311](#) [6282-4SG-315](#) [6282-4SG-318](#) [6282-4SG-321](#) [6282-4SG-3XX](#) [6282-5SG-311](#) [6282-5SG-315](#)  
[6282-5SG-318](#) [6282-5SG-321](#) [6282-5SG-3XX](#) [6282-6SG-311](#) [6282-6SG-318](#) [6282-6SG-321](#) [6282-6SG-3XX](#)  
[6282-7SG-311](#) [6282-7SG-315](#) [6282-7SG-318](#) [6282-7SG-321](#) [6282-7SG-3DC](#) [6282-7SG-3XX](#) [6282-8SG-311](#) [6282-8SG-315](#)  
[6282-8SG-318](#) [6282-8SG-321](#) [6282-8SG-3DC](#) [6282-8SG-3XX](#) [6282-6SG-315](#)