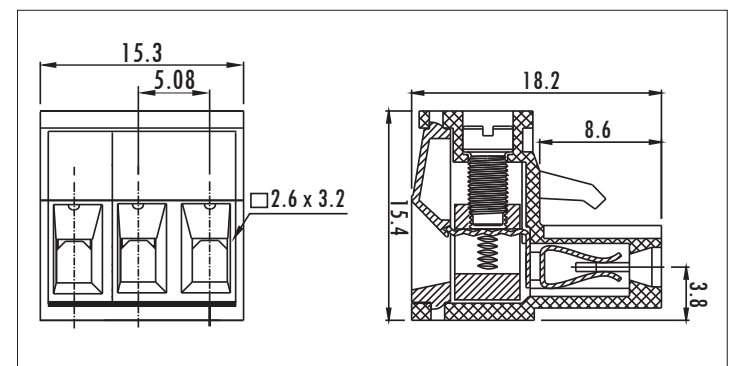
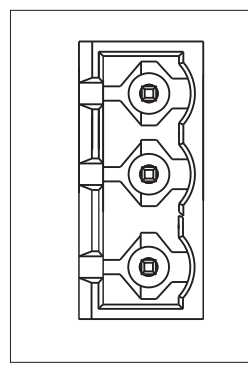
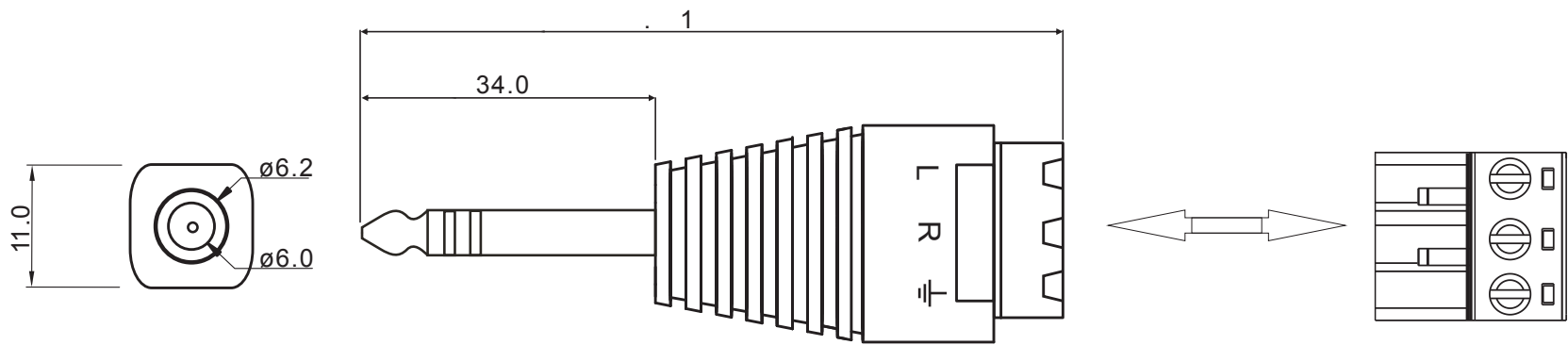


SIGN	DESCRIPTION	DATE	APPROVER
△	---		
△			




Technical Data:

Electrical:

- Voltage rating: 12VDC
- Current rating: 5A
- Contact resistance: 20Ωm
- Insulation resistance: 5000MΩ / 1000V
- Wire range: 28-12AWG

Mechanical:

- Torque: 0.4Nm (3.5Lb/In.)
- Operating temperature: -40°C to 105°C
- Strip length: 7mm

		Concept Design Manufacture	CIE-Group Ltd 3 Widdowson Close Blenheim Ind Est Bulwell Nottingham NG6 8WB England T: +44(0)115 9770075 F: +44(0)115 9770081 E: info@cie-group.com W: www.cie-group.com
		APPROVED: RIKKI CHECKED: CAMILY DRAWN: SHERMAN	
TOLERANCE X ±0.50 X.X ±0.30 X.XX ±0.20 X° ±1°	UNIT: mm SCALE: 4/1	REV.: A PAGE: 1/1	PART NO: CLB-JL-8105 DWG NO.: