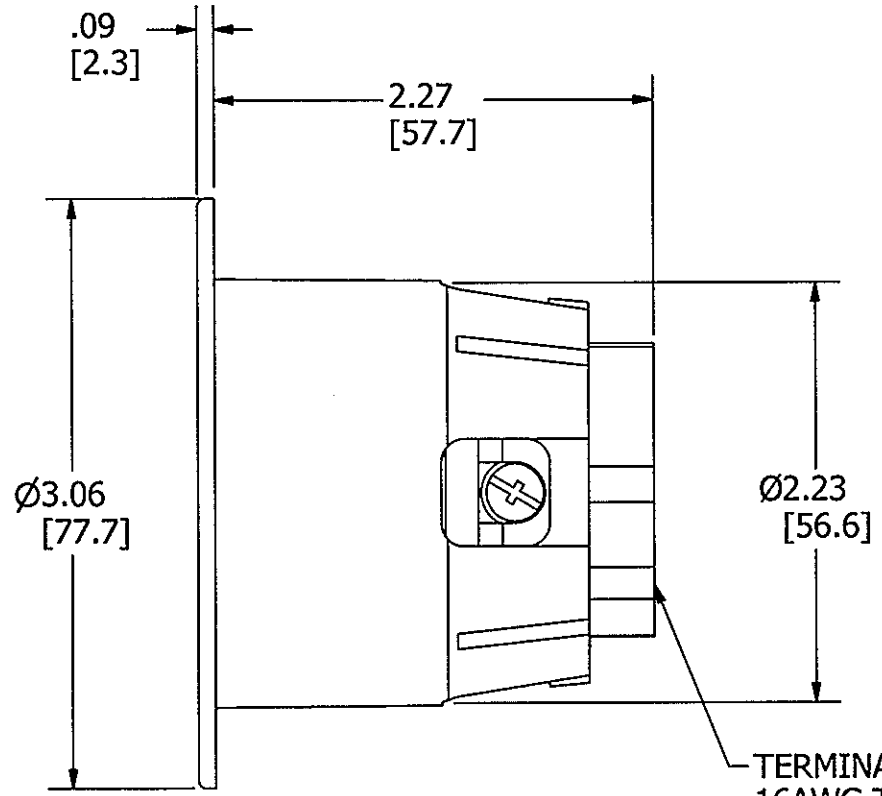
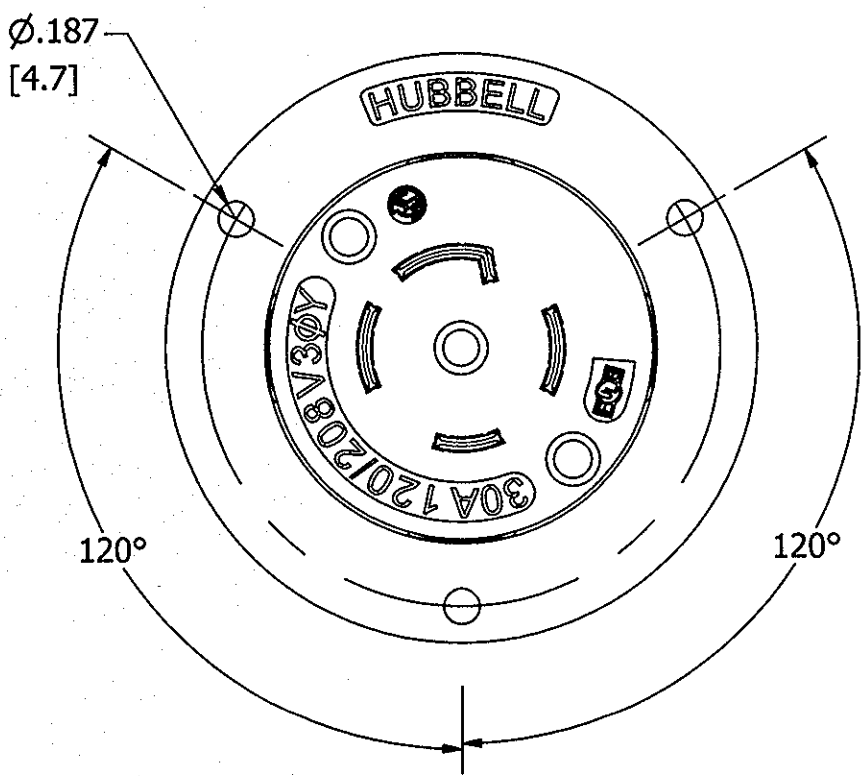


M-7908 5

NEMA NO.	RATING	POLE/WIRE	CATALOG NO.	VOLTAGE COLOR CODE
L14-30P	125/250V	3P/4W GROUNDING	HBL2715	ORANGE
L15-30P	3 Ø 250VAC	3P/4W GROUNDING	HBL2725 >HBL2725M309	BLUE
L16-30P	3 Ø 480VAC	3P/4W GROUNDING	HBL2735	RED
L17-30P	3 Ø 600VAC	3P/4W GROUNDING	HBL2745	BLACK
L18-30P	3 Ø Y 120/208VAC	4P/4W NON-GROUNDING	HBL2755	BLUE
L19-30P	3 Ø Y 277/480VAC	4P/4W NON-GROUNDING	HBL2765	RED
L20-30P	3 Ø Y 347/600VAC	4P/4W NON-GROUNDING	HBL2775	BLACK
L21-30P	3 Ø Y 120/208VAC	4P/5W GROUNDING	HBL2815	BLUE
L22-30P	3 Ø Y 277/480VAC	4P/5W GROUNDING	HBL2825	RED
L23-30P	3 Ø Y 347/600VAC	4P/5W GROUNDING	HBL2835	BLACK



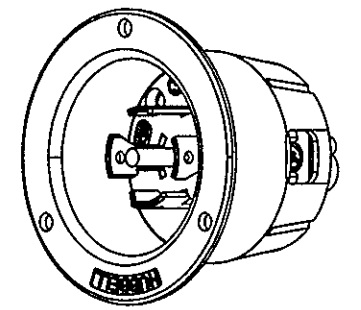
NOTES:

- DIMENSIONS ARE IN INCHES [mm].
- ALL SCREWS ARE COMBINATION PHILLIPS/SLOTTED/ROBERTSON HEAD.
- > INDICATES EVALUATED BY UL IN ACCORDANCE WITH IEC 309-1.
- * WHITE FINISH ON NEUTRAL BLADE WHEN USED.
- CATALOG NO. & RATING PRINTED ON FLANGE COLOR CODE BY VOLTAGE.

TERMINALS WILL ACCEPT 16AWG TO 8AWG WIRE

LIST OF PARTS

DESCRIPTION	MATERIAL	FINISH
CASING	NYLON	NATURAL
BLADE HOLDER	NYLON	NATURAL
RETAINER	POLYCARBONATE	CLEAR
BLADE	.070 BRASS	
CENTER GROUND & TERMINAL LUG (5 WIRE)	BRASS	
WIRE CLAMP	.080 CRS	NICKEL PLATE
#10 TERMINAL SCREWS	BRASS	*
#10 GROUND SCREW	BRASS	GREEN
ASSEMBLY FASTENERS	STEEL	ZINC PLATE
#8 MOUNTING SCREWS	BRASS	NICKEL PLATE



CATALOG NO. HBL2815
(NOT SHOWN TO SCALE)

5	REVISED PER DCN 22024 SPN	DJP	5/19/16
4	REDRAWN WITH EMBEDDED CAD MODEL WITH NO CHANGES TO PART GEOMETRY. PER DCN 21895 SPN	DJP	2/5/16
REV	DESCRIPTION	APP	DATE

THE DESIGN AND DIMENSIONS OF THE PRODUCT SHOWN ON THIS DRAWING ARE SUBJECT TO CHANGE WITHOUT NOTICE

TITLE
30A 4 & 5-WIRE
TWIST-LOCK
FLANGE INLET

TOLERANCES UNLESS OTHERWISE SPECIFIED		WIRING DEVICE-KELLEMS HUBBELL INCORPORATED SHELTON, CT	
.XX = ± .01	.XXX = ± .005	DR. BY B.C.	APP. BY DJP
ANGLES = ± 2°		TR. BY	SCALE 1:1
		CHK. BY DJP	DATE 2/12/98

DIMENSION SHEET FOR CAT. NO. M-7908
 REPAIRABLE NON-REPAIRABLE
B
M-7908
5