





## Mode of Operation

### Connection cable

2 or 3 conductor PVC cable, normally screened. Cable length: max. 100 m. The resistance between the cores and the ground must be at least 500k. Normally, it is recommended to use a screened cable between probe and controller, e.g. where the cable is placed in parallel to the load cables (mains). The screen has to be connected to pin 7 (reference).

### Cascade

If more than 2 levels are required, up to 7 amplifiers can be cascaded, as shown in the example below. Connect pin 11 of the master controller to ground and pin 9 of the master controller to pin 8 of the next con-

troller, the slave controllers (see drawing). Pin 11 of the slave controller must be left open! Pin 9 of the first slave must be connected to pin 8 of the second. Pin 9 of the last slave should be connected to pin 8 of Master. The connections must be made by screened cable to achieve optimal operation, e.g. in cable pits or trays where the cable is close to power cables. Connect the screen to pin 7, and be sure that the distance between two systems is max 3m. Adjust the connected system sensitivity and the systems are ready to work.

### Example 1

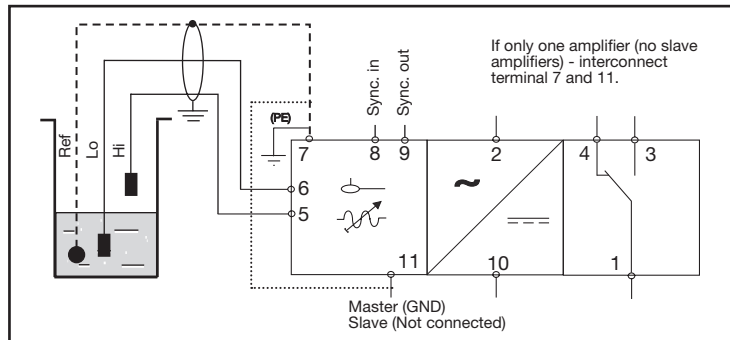
The diagram shows the level control connected as max. and min. control. The relay react to the low alternating current created when the electrodes are in contact with the liquid.

The reference (Ref) must be connected to the container

or if the container consists of a non-conductive material, to an additional electrode. (To be connected to pin 7). (In the diagram this electrode is shown by the dotted line)..

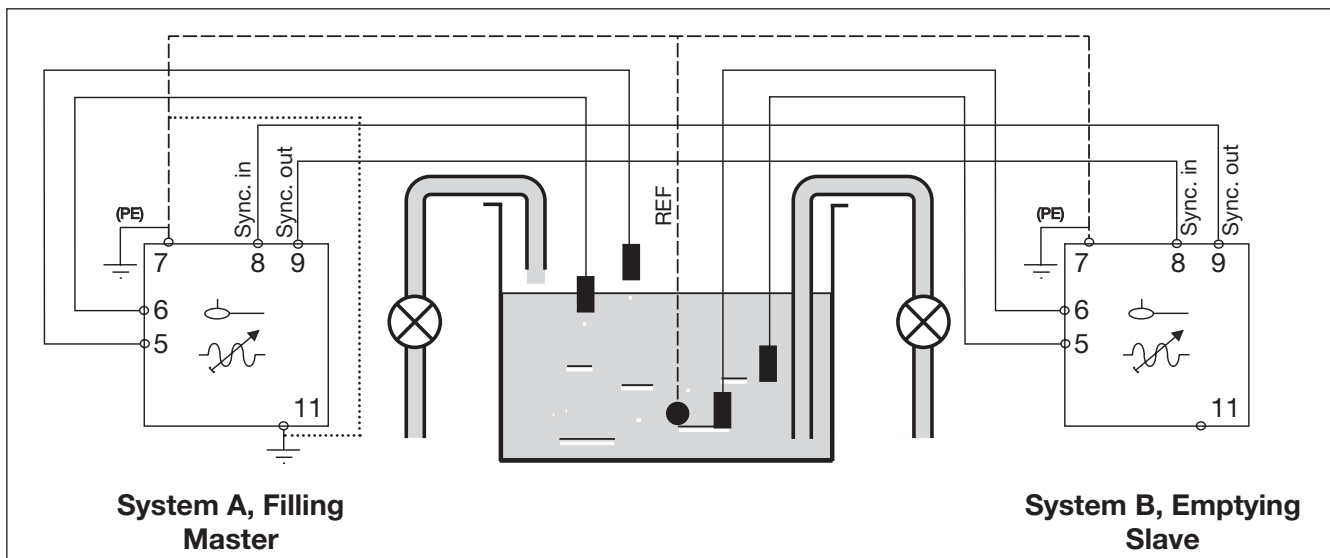
### NB!

If only one level detection is required - interconnect the two inputs 5 and 6.



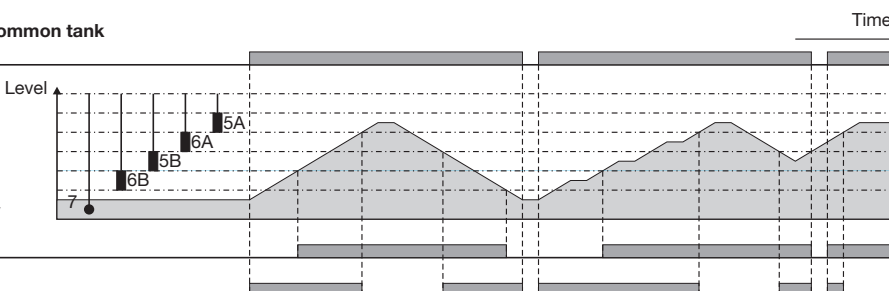
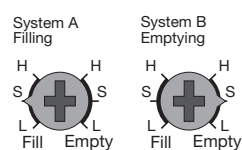
## Operation Diagram

### Filling and Emptying one common tank



### Filling and Emptying one common tank

Power supply ON

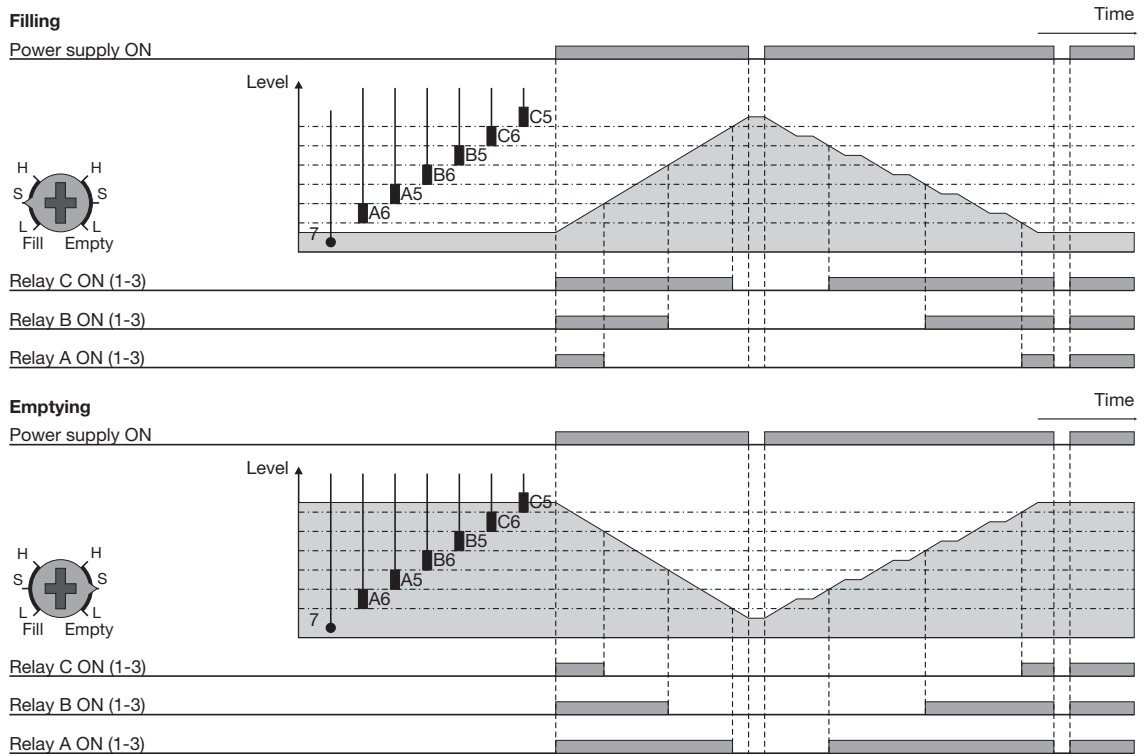
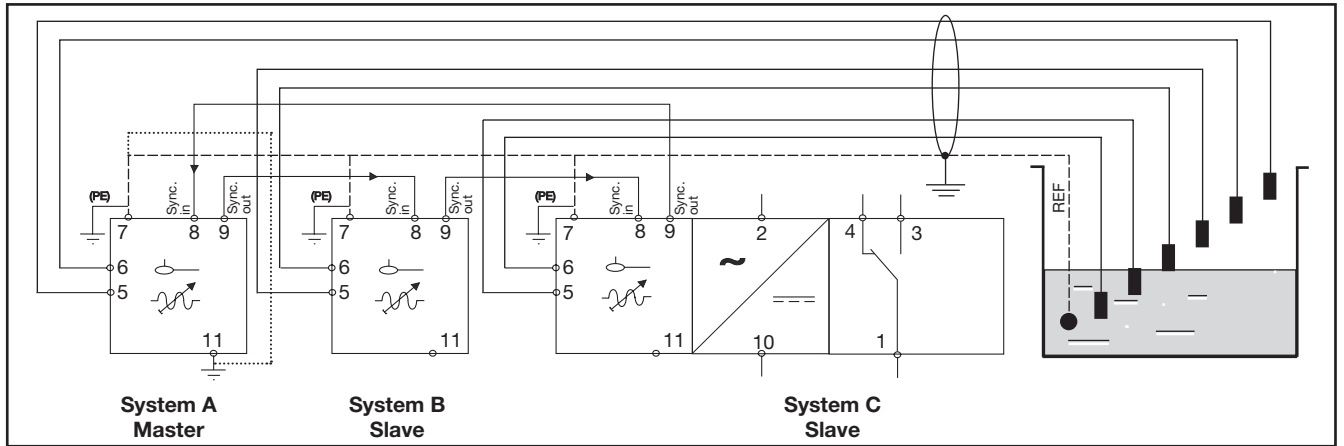


Relay B ON (1-3)

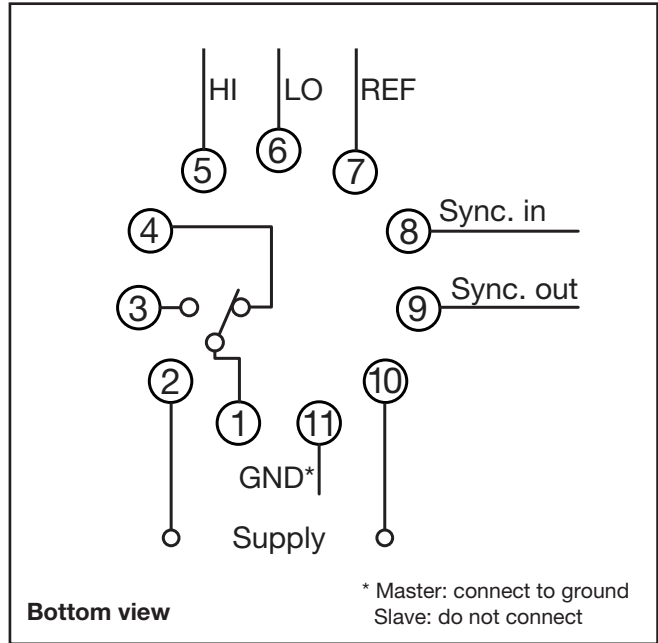
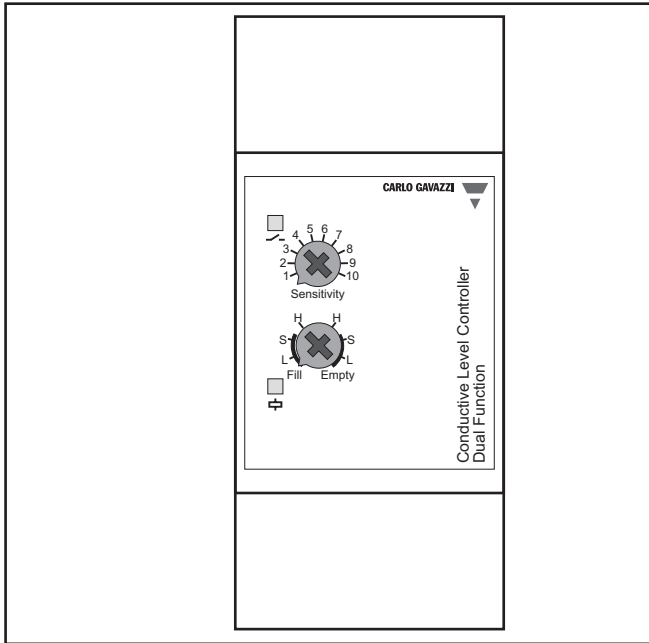
Relay A ON (1-3)

# Operation Diagram

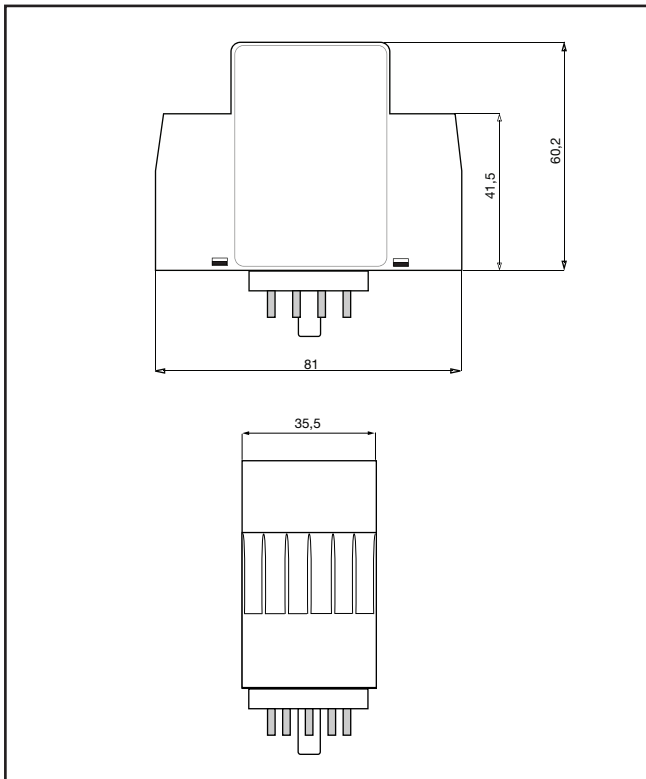
## Multilevel application in one tank



## Wiring Diagram



## Dimension Drawings



## Accessories

- 11 pole circular socket ZPD11
- Holding spring HF

## Delivery Contents

- Amplifier
- Packaging: Carton box
- Manual