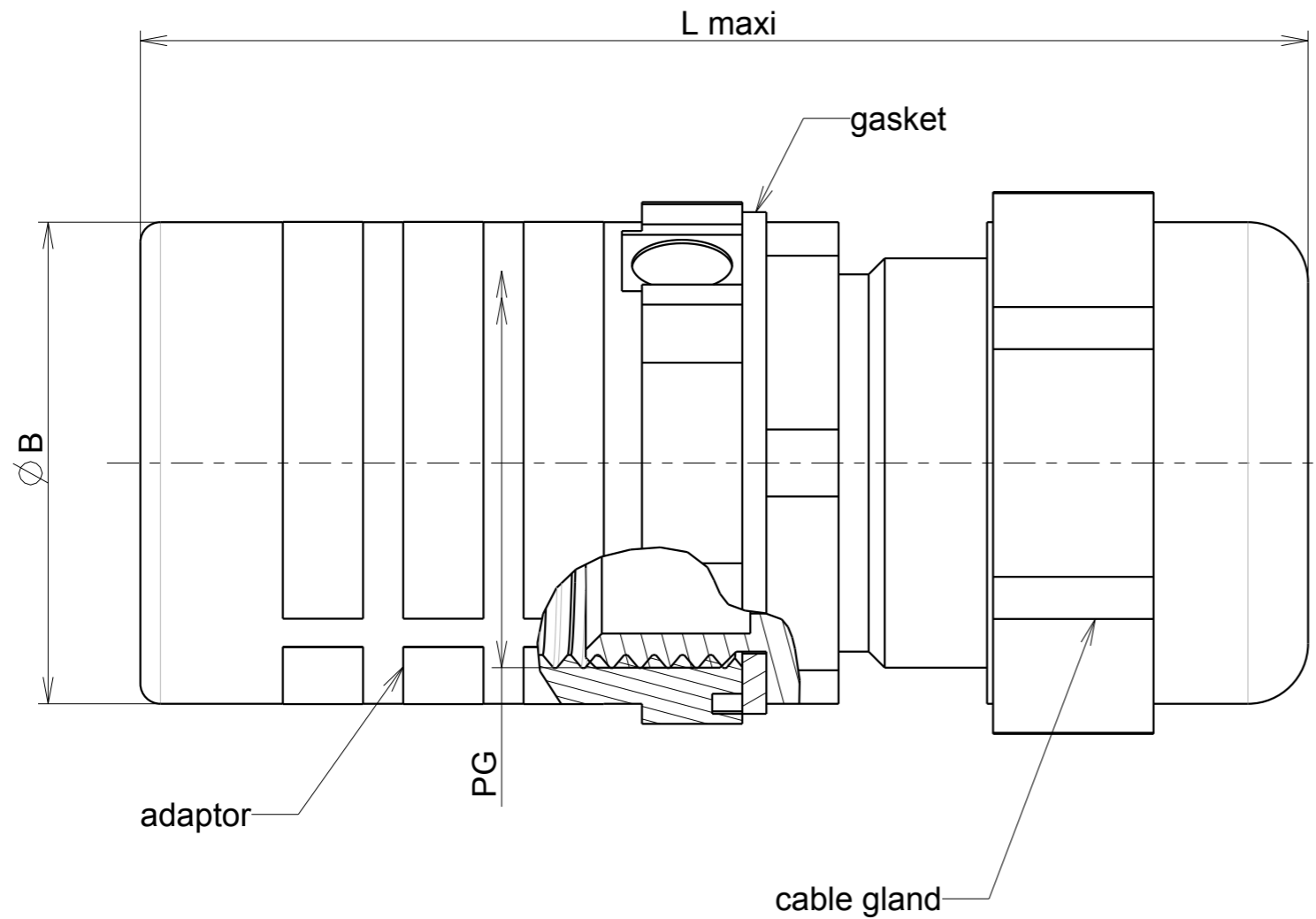
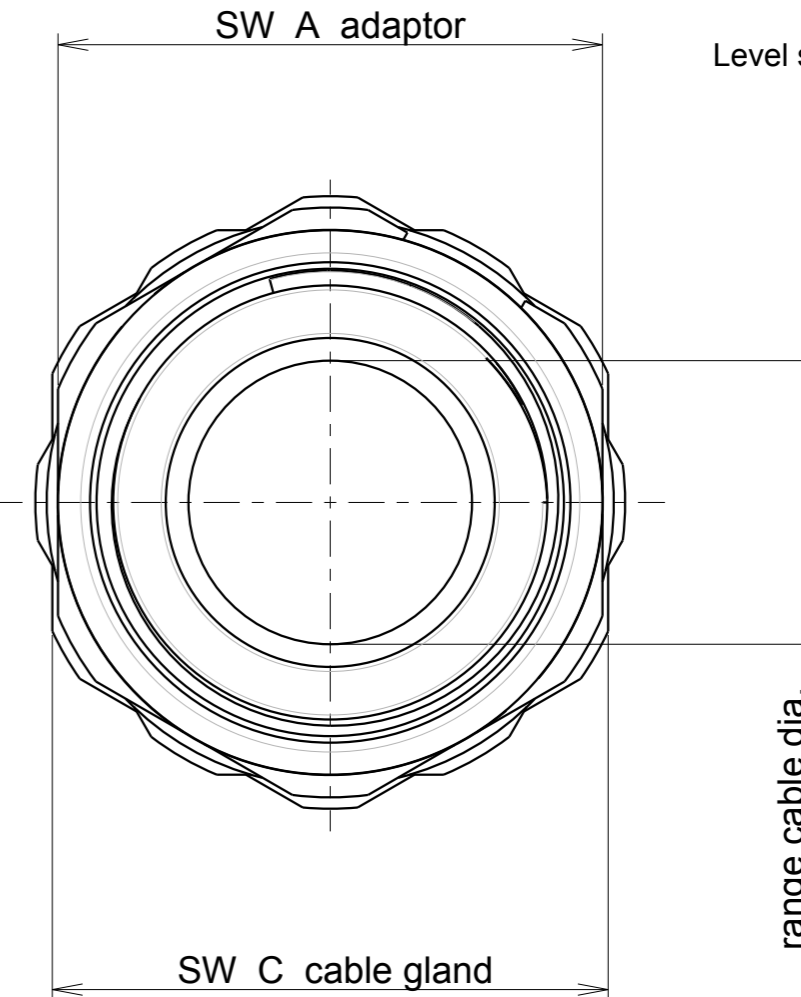


b : 0 ; RL



MATERIAL
Polyamid UL94 V-0 Color black
Gasket : Nitril

Level sealing : IP68



SOURIAU PART NUMBER	SHELL	PG	sw A	Ø B	sw C	L MAXI	RANGE CABLE DIA.
CL101021	1	13.5	24	24	24	58.6	6/12
CL101022	1				27	59.6	10/14
CL101023	1				24	58.6	5/9
CL102021	2	16	27	27.7	27	61.6	10/14
CL102022	2				33	64.6	13/18
CL102023	2				27	61.6	7/12
CL103021	3	21	33	32.3	33	64.9	13/18
CL103022	3				33	64.9	9/16
CL103023	3				33	61.9	7/12
CL104021	4	36	50	44 / 50	53	83.9	22/32
CL124021	4	29	46	44	42	74.9	18/25

P/N : CL1--02-

b	21/10/11	creation of proe drawing	
		Add adaptator and gasket	
ISS	DATE	Latest modification - by:	ROUILLARD Ch
			MOD N°
Designed by:		BADEAU	Date: 13/03/02
		CUSTOMER DRAWING	
TITLE		CLIPPER STRAIGHT SEALING GLAND BACKSHELL	
		SIZE 1 TO 4	
Scale	3/1		General linear Tolerances: ± 0.2
			NPRDS / PROJECT CLIPPER
		WWW.SOURIAU.COM	
		This document is the property of SOURIAU. It must not be reproduced or communicated without permission.	
FORMAT	SOURIAU DRG N°		SHEET
A3	C26A-JCL1-A		1/1

NOT EXPORT CONTROLLED