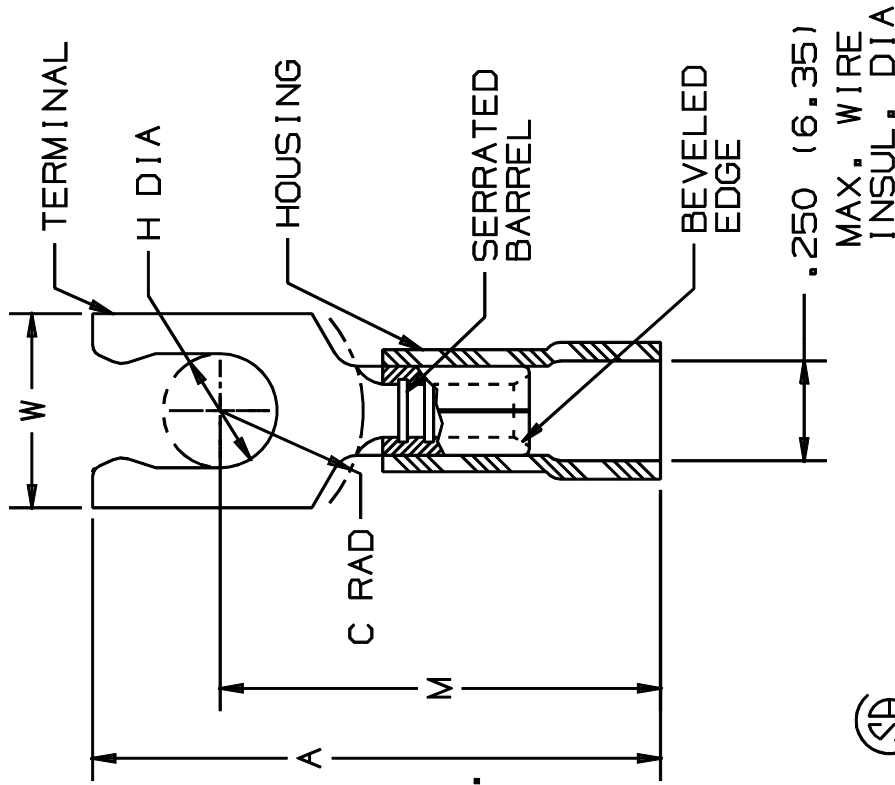


THIS COPY IS PROVIDED ON A RESTRICTED BASIS AND IS NOT TO BE USED IN ANY WAY DETRIMENTAL TO THE INTERESTS OF PANDUIT CORP.

| PANDUIT PART NUMBER | STUD SIZE | DIMENSIONS in. | | | | |
|------------------------|--------------|-----------------|----------------|---------------|----------------|---------------|
| | | A | W | C | M | H |
| PV10-6LFX | #6 | 1.09 (27.69) | .30 (7.62) | .23 (5.84) | .85 (21.59) | .14 (3.56) |
| PV10-8LFX | #8 | 1.12 (28.45) | .30 (7.62) | .23 (5.84) | .86 (21.84) | .16 (4.06) |
| PV10-10LFX | #10 | 1.12 (28.45) | .34 (8.64) | .23 (5.84) | .86 (21.84) | .19 (4.83) |
| PV10-14LFX | 1/4" | 1.25 (31.75) | .46 (11.68) | .32 (8.13) | .97 (24.64) | .25 (6.35) |

NOTES:

- UL LISTED AND CSA CERTIFIED FOR:
 A. 600V. MAX. BLDG WIRE
 (1000 V. MAX. IN SIGNS, FIXTURES & LUMINAIRES),
 AND 12-10 AWG STRANDED COPPER WIRE ONLY
 & 221°F (105°C MAX) TEMP RATING
 WITH THE CT-550, CT1550 & CT1551 INSTALLATION TOOLS.
- MATERIAL:
 A. STAMPING - .04" (1.02) THK COPPER, TIN PLATED
 B. HOUSING - VINYL, YELLOW
- STRIP LENGTH - 5/16 ^{1/32}
- PACKAGE QTY:
 -L=50
 -D=500
- DIMENSIONS IN BRACKETS ARE IN MILLIMETERS



LISTED
587H
E52164



CERTIFIED
LR31212

A41224_06

| | | | | | | | | | | | | | | | | | | | | |
|-----|------|-----|------------------------------------|-------------|-----|----|-------|----|-----|-------|------|-------------|--------|--|--|--|--|--|--|--|
| 06 | 1/01 | KMD | CAD FILE SPEC. WAS N41224AA_PCD_05 | | | | | | | | | | | | | | | | | |
| 05 | 1/97 | JMB | UPDATE NOTES | | | | 05449 | | | | | | | | | | | | | |
| 04 | 9/94 | MS | RLS REVISED NOTES AND DIMENSIONS | | | | 02481 | | | TJP | JM | | | | | | | | | |
| 03 | 7-88 | DW | REDRAWN WITH REVISIONS | | | | | | | | | | | | | | | | | |
| REV | DATE | BY | CHK | DESCRIPTION | ECN | OA | CUST | PM | DAW | SCALE | NONE | DRAWING NO. | A41224 | | | | | | | |



TINLEY PARK, ILLINOIS

#12-10 BARREL VINYL INSULATED
LOCKING FORK, .250 (6.35) MAX.
INSULATION DIAMETER