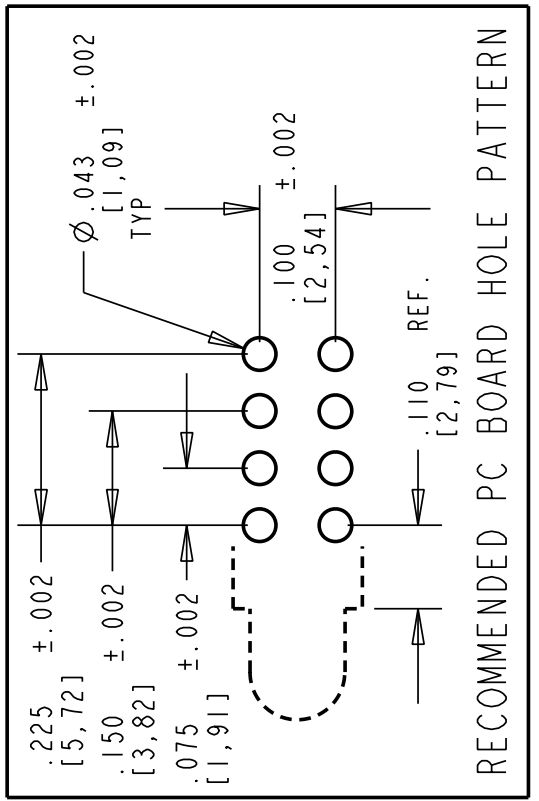
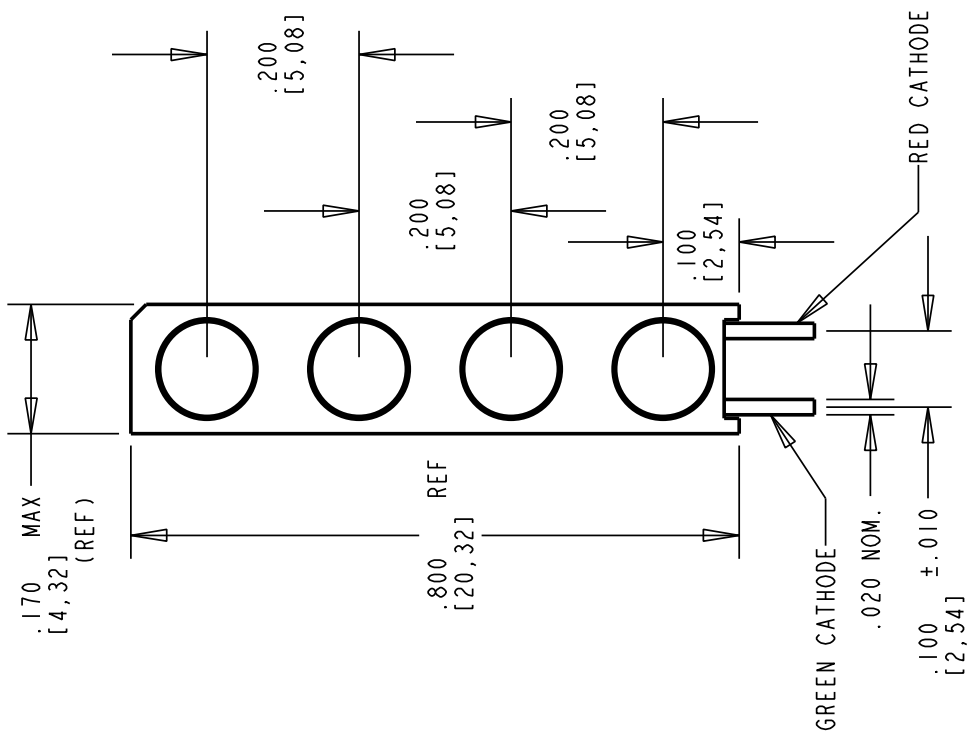
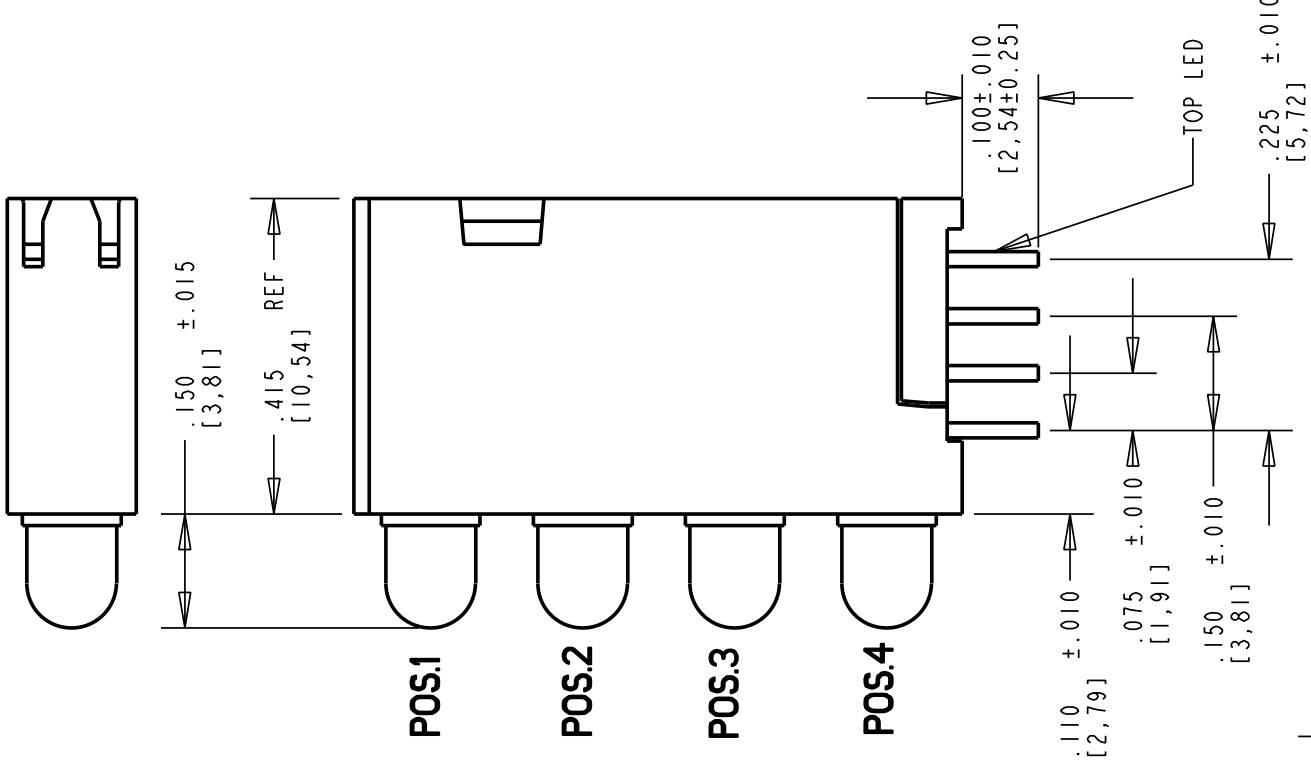
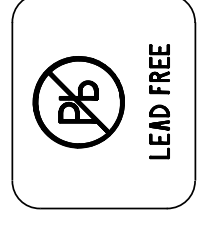


PART NUMBER and LEGEND	LED COLOR		
	POSITION 1 RED / GREEN	POSITION 2 RED / GREEN	POSITION 3 RED / GREEN
568-0701-819F	RED / GREEN	RED / GREEN	RED / GREEN

REV	ECN NO	REVISIONS	DRN	CKD	APP	DATE
A		NEW RELEASE	TWC	MES	N.O.	4-26-05
B		REVISED POLARITY, RED CATHODE RIGHT SIDE WAS GREEN CATHODE: UPDATED RoHS COMPLIANT NOTE; CORRECTED TITLE	TWC			

NOTES:

- LEADS TO FIT INTO HOLES SPACED AS PER HOLE PATTERN
- LED LEAD DIMENSIONS SHOWN ARE MEASURED AT HOUSING EXIT.
- PIN NUMBERS FOR REFERENCE ONLY, DESIGNATION NON-EXISTENT ON PARTS.
- DIALIGHT PART NUMBER: 568-0701-819F
- PACKAGE PARTS IN ANTI-STATIC TUBES. 100 PC'S PER TUBE WITH 2 END PLUGS. APPLY LABEL WITH DIALIGHT P/N, DATE CODE, QTY/TUBE.
- THIS PRODUCT IS Pb FREE. IT IS IN COMPLIANCE WITH THE EUROPEAN UNION'S ROHS DIRECTIVE. EACH PACKAGING TUBE IS MARKED WITH THE Pb FREE LABEL P/N 9100-117-0797-99, OR EQUIVALENT ROHS COMPLIANT MARKING.



LED COLOR = GRN/RED BI-COLOR

OPERATING CHARACTERISTICS AT 25°C AMBIENT

CHARACTERISTICS	COLOR	MIN	TYP	MAX	UNITS	TEST CONDITIONS
LUMINOUS INTENSITY	GREEN	3.7	10.0			I _f = 10 mA
	RED	2.5	4.7		mcd	
FORWARD VOLTAGE	GREEN		2.1	2.8	V	I _f = 20 mA
	RED		2.0			
PEAK WAVELENGTH	GREEN		565		nm	I _f = 20 mA
	RED		635			
VIEWING ANGLE	GREEN			60	DEGREES	
	RED					

ABSOLUTE MAXIMUM RATINGS AT 25°C AMBIENT

POWER DISSIPATION	GREEN	RED	UNITS
DERATE LINEARLY FROM 50°C	100		mW
CONTINUOUS FORWARD CURRENT	0.4		mA/°C
PEAK FORWARD CURRENT (1/10 DUTY CYCLE, 10 ms PULSE WIDTH)	30		mA
LEAD SOLDERING TEMPERATURE, 6 SEC., 1/16" FROM BASE	120		°C
OPERATING TEMPERATURE	260		°C
STORAGE TEMPERATURE	-55 TO +100		°C
	-55 TO +100		°C

THIS DRAWING AND THE CONTENTS HEREIN ARE CONFIDENTIAL AND THE SOLE PROPERTY OF DIALIGHT. REPRODUCTION OF THIS DRAWING OR CONSTRUCTION OF ANY PARTS WITHIN THIS DRAWING ARE FORBIDDEN WITHOUT THE WRITTEN CONSENT OF DIALIGHT.

SCALE: DRAWING SCALE ALL DIM'S IN: INCHES (MM) UNLESS OTHERWISE SPECIFIED

FRACTIONS: ±1/64
DECIMALS (.XX): ±.01
DECIMALS (.XXX): ±.005
DECIMALS (.XXXX): ±.0005
ANGLES: ±1°

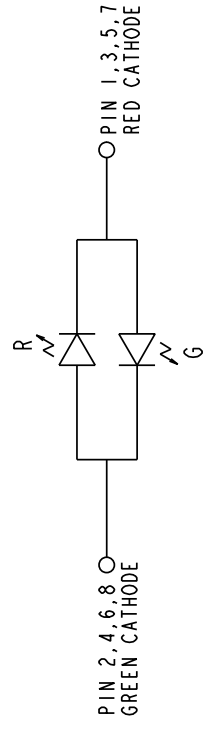
FINISH:

FSCM 83330 SHEET 1 OF 1 FAMILY TABLE:

DIALIGHT
1501 ROUTE 34 SOUTH
FARMINGDALE, NJ 07727

DRAWING NUMBER: C-17229 REV: B

TITLE: CUSTOM 4X1 CBI BLOCK 4X R/G
MATERIAL: SPECIAL LEAD TRIM .100"



BI-COLOR LED SCHEMATIC