

注記 NOTES

- △1 材料 : TABLE 1参照  
MATERIAL : SEE TABLE 1.
- △2 (極数/2)=偶数 に適用。  
APPLY TO (CIRCUIT /2) = EVEN.
- △3 製品仕様書、コネクタ取扱説明書、適合嵌合相手、適合端子、適合リテーナーはSHEET 2をご参照ください。  
PLEASE REFER TO SHEET 2 FOR PRODUCT SPECIFICATION, APPLICATION SPECIFICATION, MATE WITH, APPLICABLE CRIMP TERMINAL, APPLICABLE RETAINER.
- △4 発注番号 : SHEET 2 参照  
ORDER NUMBER : PLEASE REFER TO SHEET 2

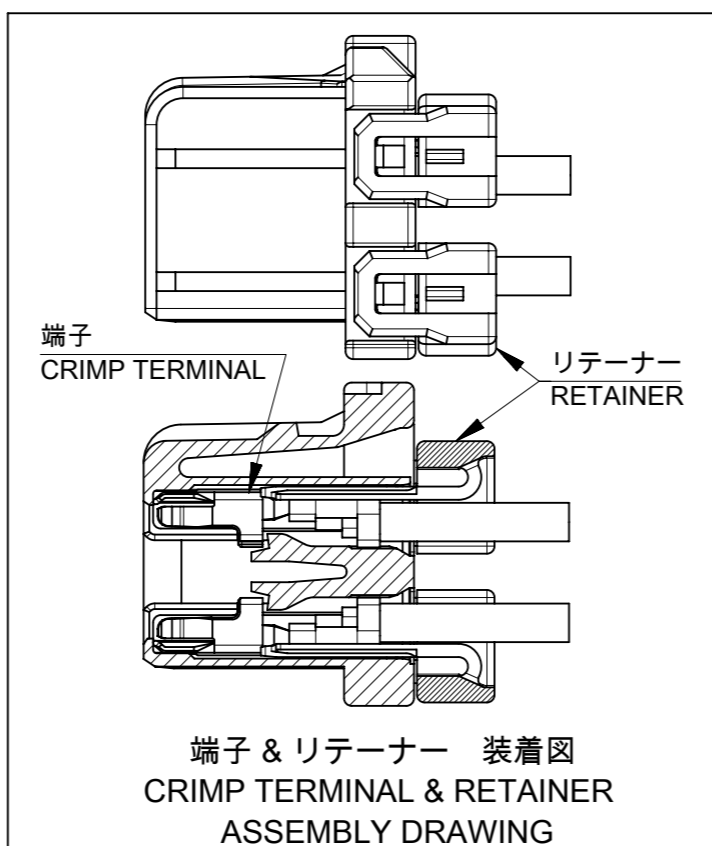
214527 \*\* 0 \*

極数  
CIRCUIT SIZE

番号 NO.	ハウジングカラー HOUSING COLOR
0	ナチュラル (白) NATURAL (WHITE)
1	黒 BLACK
2	赤 RED
4	青 BLUE

13.75	18.45	24
12.5	17.2	22
11.25	15.95	20
10	14.7	18
8.75	13.45	16
7.5	12.2	14
6.25	10.95	12
5	9.7	10
3.75	8.45	8

B	A	極数 CIRCUIT SIZE
---	---	--------------------



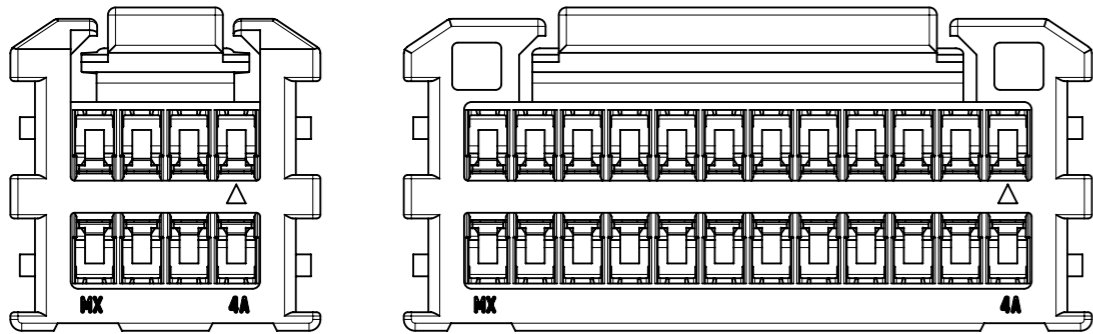
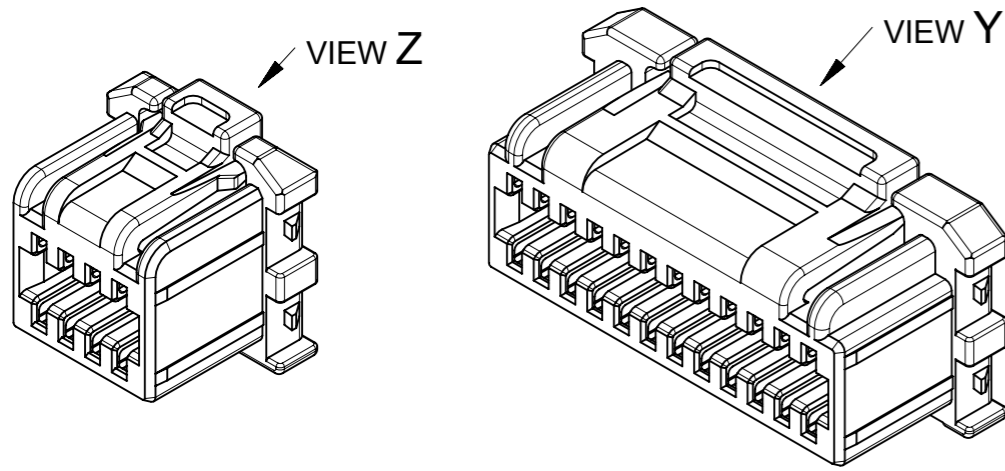
△1 TABLE 1

部品 PART	材質 MATERIAL
ハウジング HOUSING	PBT UL94V-0 色およびローハロゲン対応 : SHEET2参照 PBT UL94V-0 COLOR AND LOW-HALOGEN:SEE SHEET 2.

DOCUMENT STATUS	P1	RELEASE DATE	2023/09/15	07:11:24
-----------------	----	--------------	------------	----------

DIMENSION UNITS		SCALE	CURRENT REV DESC:		
mm		NTS			
GENERAL TOLERANCES (UNLESS SPECIFIED)					
ANGULAR TOL ± 3.0 °					
4 PLACES	± 0.2	EC NO: 761705			
3 PLACES	± 0.2	DRWN: SOKUMURA01	2023/07/25		
2 PLACES	± 0.2	CHK'D: SAKIYAMA	2023/09/15		
1 PLACE	± 0.2	APPR: AIDA	2023/09/15		
0 PLACES	± 0.2	INITIAL REVISION:			
		DRWN: RTANAKA02	2020/05/13		
		APPR: AIDA	2022/11/28		
DRAFT WHERE APPLICABLE MUST REMAIN WITHIN DIMENSIONS					
THIRD ANGLE PROJECTION		DRAWING	SERIES	MATERIAL NUMBER	CUSTOMER
		A3-SIZE	214527	SEE SHEET 2	GENERAL
THIS DRAWING CONTAINS INFORMATION THAT IS PROPRIETARY TO MOLEX ELECTRONIC TECHNOLOGIES, LLC AND SHOULD NOT BE USED WITHOUT WRITTEN PERMISSION					
MICRO-LOCK PLUS 1.25 DUAL ROW RECEPTACLE HOUSING TPA TYPE					
PRODUCT CUSTOMER DRAWING					
DOCUMENT NUMBER		DOC TYPE	DOC PART	REVISION	
2145270000-SD		PSD	000	B	
SHEET NUMBER					
1 OF 2					

製品形状  
PRODUCT SHAPE



VIEW Z  
8-14極  
8-14 CIRCUIT

VIEW Y  
16-24極  
16-24 CIRCUIT

△3 適合製品及び各種仕様書  
APPLICABLE PRODUCTS AND VARIOUS SPECIFICATIONS

梱包仕様書 PACKAGING SPECIFICATION	SPECIFICATION NUMBER 2145279200-SPK PS 200		
適合端子 APPLICABLE CRIMP TERMINAL	PART NUMBER	PLATING TYPE	WIRE SIZE(AWG)
	5054311000 NOT APPLICABLE TO RETAINER	TIN	#26-30
2145291000 APPLICABLE TO RETAINER	TIN		
適合リテーナー APPLICABLE RETAINER	SERIES NUMBER 214528		

SMT

適合嵌合相手 MATE WITH	タイプ TYPE	TIN PLATING				
	シリーズ番号 SERIES NUMBER	VERTICAL	RIGHT ANGLE	VERTICAL	RIGHT ANGLE	VERTICAL (FOR POTTING)
ローハロゲン対応 LOW HALOGEN COMPLIANT		8-24 CIRCUIT		8-14 CIRCUIT		
		505433	505448	204520	204519	207760
製品仕様書 PRODUCT SPECIFICATION		NOT COMPLIANT			COMPLIANT	COMPLIANT (NATURAL, BLACK)
コネクタ取扱説明書 APPLICATION SPECIFICATION		2145270000-PS PS 000				2145270001-PS PS 000
		5054320000-AS PS 000				

製品嵌合図は各"適合嵌合相手"図面参照のこと  
MATING VIEW : REFER TO EACH "MATE WITH" PART DRAWING.

△4 214527\*\*0\* 発注番号一覧 ORDER NUMBER LIST

NOT COMPLIANT		COMPLIANT		LOW-HALOGEN
BLUE	RED	BLACK	NATURAL(WHITE)	HOUSING COLOR
2145272404	2145272402	2145272401	2145272400	24
2145272204	2145272202	2145272201	2145272200	22
2145272004	2145272002	2145272001	2145272000	20
2145271804	2145271802	2145271801	2145271800	18
2145271604	2145271602	2145271601	2145271600	16
2145271404	2145271402	2145271401	2145271400	14
2145271204	2145271202	2145271201	2145271200	12
2145271004	2145271002	2145271001	2145271000	10
2145270804	2145270802	2145270801	2145270800	8
発注番号 ORDER NUMBER				極数 CIRCUIT SIZE
梱包形態 : ポリ袋 PACKAGING : POLYBAG PACKAGE				

THIS DRAWING CONTAINS INFORMATION THAT IS PROPRIETARY TO MOLEX ELECTRONIC TECHNOLOGIES, LLC AND SHOULD NOT BE USED WITHOUT WRITTEN PERMISSION		CURRENT REV DESC:		<b>molex</b>	
DIMENSION UNITS mm	SCALE NTS	EC NO: 761705 DRWN: SOKUMURA01 CHK'D: SAKIYAMA APPR: AIDA			
GENERAL TOLERANCES (UNLESS SPECIFIED)		2023/07/25 2023/09/15 2023/09/15		MICRO-LOCK PLUS 1.25 DUAL ROW RECEPTACLE HOUSING TPA TYPE	
ANGULAR TOL	± 3.0 °	INITIAL REVISION:		PRODUCT CUSTOMER DRAWING	
4 PLACES	± 0.2	DRWN: RTANAKA02 APPR: AIDA		DOCUMENT NUMBER	DOC TYPE
3 PLACES	± 0.2	2020/05/13 2022/11/28		2145270000-SD	PSD
2 PLACES	± 0.2			000	B
1 PLACE	± 0.2			SHEET NUMBER	
0 PLACES	± 0.2			2 OF 2	
DRAFT WHERE APPLICABLE MUST REMAIN WITHIN DIMENSIONS		THIRD ANGLE PROJECTION	DRAWING	SERIES	MATERIAL NUMBER
		⊕	A3-SIZE	214527	SEE SHEET 2
					CUSTOMER
					GENERAL