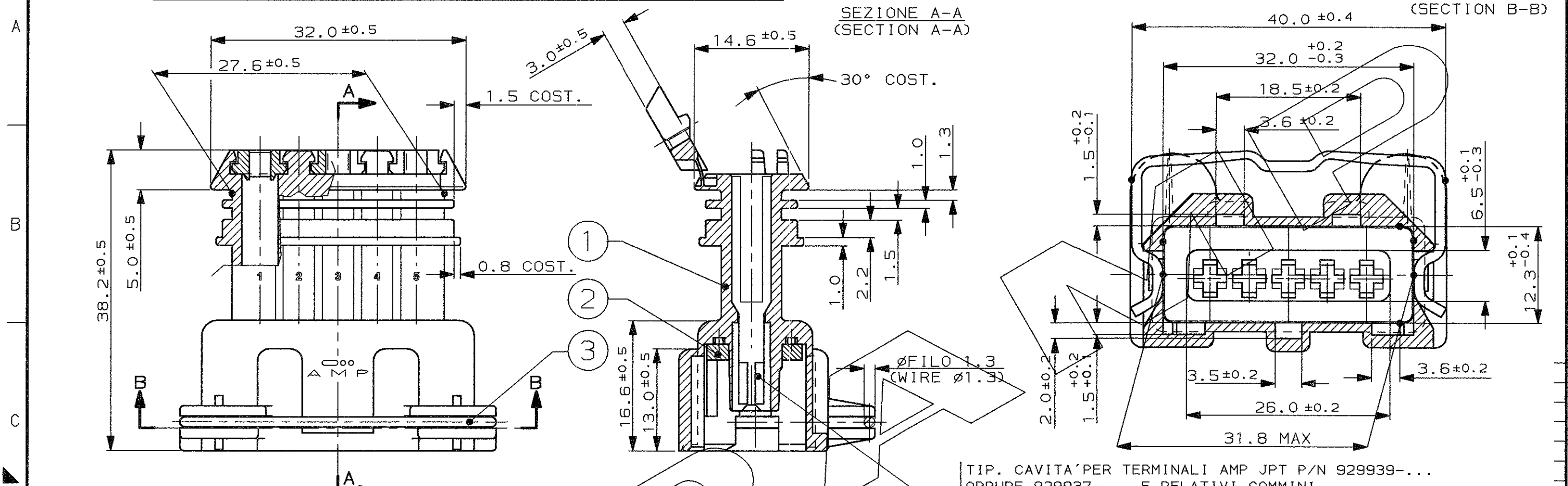


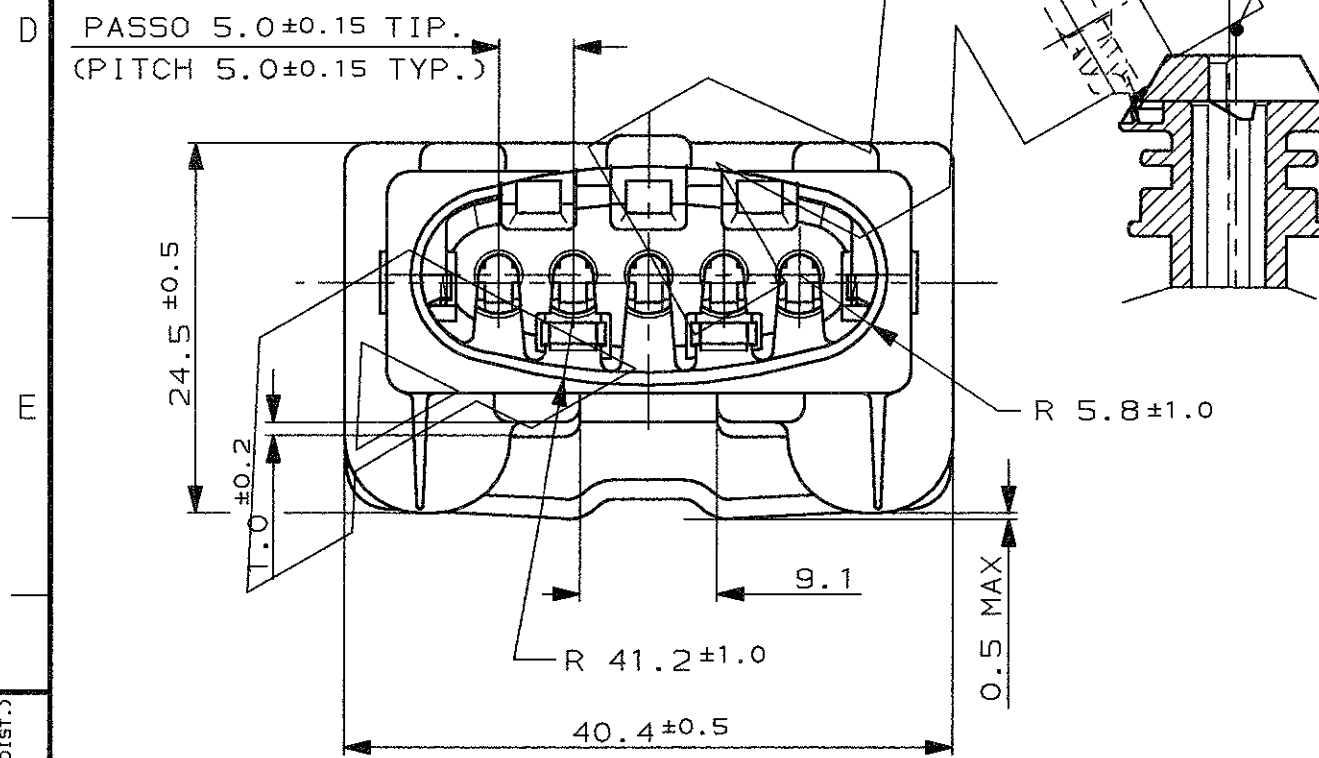
CONNETTORE TIPO A (CON MOLLA DI RITEGNO ESTERNA)  
CONNECTOR TYPE A (WITH EXTERNAL SPRING)

SEZIONE B-B (SECTION B-B)



TIP. CAVITA' PER TERMINALI AMP JPT P/N 929939-...  
OPPURE 929937-... E RELATIVI GOMMINI  
AMP P/N 828904-1, 828905-1, 282536-1.  
TAPPO CAVITA' P/N 828906-2  
(TYP. CAV. FOR JPT CONT. P/N 929939-... A/O 929937-... AND REL.  
SINGLE WIRE SEAL P/N 828904-1, 828905-1, 282536-1  
CAVITY PLUG P/N 828906-2)

ASSE CAVITA' (CAVITY CENTER LINE)  
ASSE CONNETTORE (CONNECTOR CENTER LINE)



ROSSO (RED)	-----					
GIALLO (YELLOW)	-----					
MARRONE (BROWN)	-----					
BLU (BLUE)	-----	3	//////		ACCIAIO INOX (STAINLESS STEEL)	MOLLA (SPRING)
VERDE (GREEN)	-----					
NATURALE (NATUR)	-----	2	NATURALE (NATURAL)		GOMMA (RUBBER)	GUARNIZIONE (RUBBER GASKET)
GRIGIO (GREY)	282193-2					
NERO (BLACK)	282193-1	N	1	//////	PA 6.6	BLOCCHETTO (HOUSING)
COLORE (COLOR)	NUMERO (PART. N°)	REV. ASSY	N° (ITEM)	FINITURA / COLORE (FINISH / COLOUR)	MATERIALE (MATERIAL)	DESCRIZIONE (DESCRIPTION)

CUSTOMER DWG. FOR REFERENCE ONLY  
DISEGNO PER CLIENTE SOLO PER RIFERIMENTO

THIS DRAWING IS UNPUBLISHED RELEASE FOR PUBLICATION 19  
© COPYRIGHT 19 BY AMP INCORPORATED, HARRISBURG, PA. ALL INTERNATIONAL RIGHT RESERVED. AMP PRODUCTS MAY BE COVERED BY U.S. AND FOREIGN PATENT AND/OR PATENT PENDING

TOLLERANZE, SE NON DIVERSAMENTE SPECIFICATO (TOLERANCES, UNLESS OTHERWISE SPECIFIED)	DIAM. ISOLANTE (INS. DIA. RANGE)	RANGO FILO (WIRE RANGE)	SCALA (SCALE)
± 0.3	1.5-3.0 (REDUCED INS. CABLE)	0.5-2.5 mm <sup>2</sup>	***

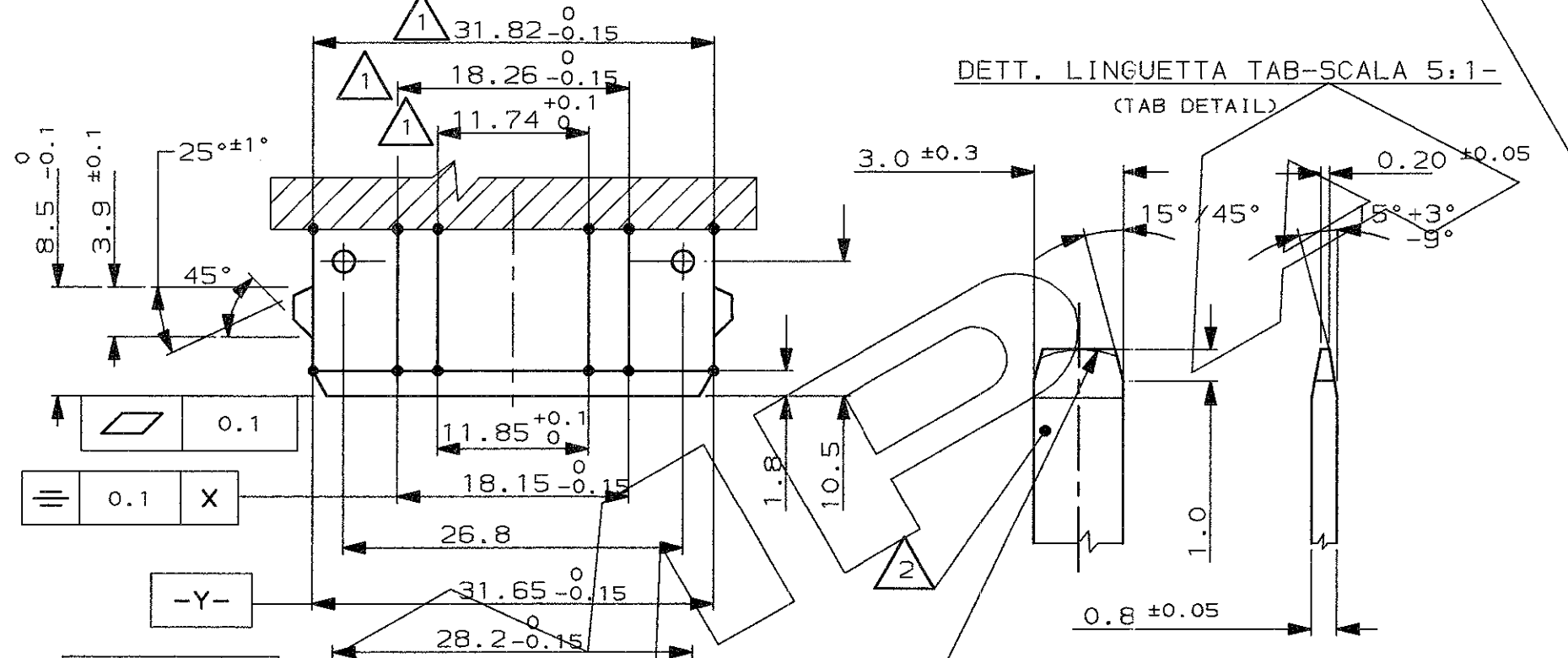
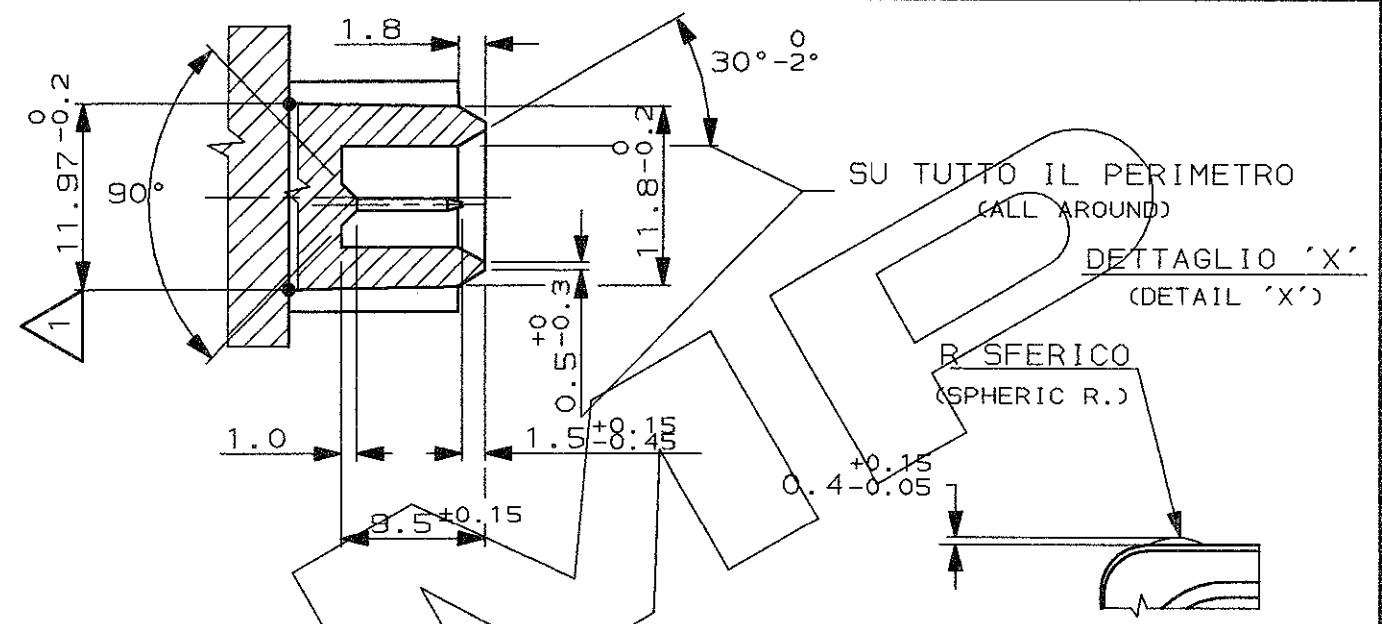
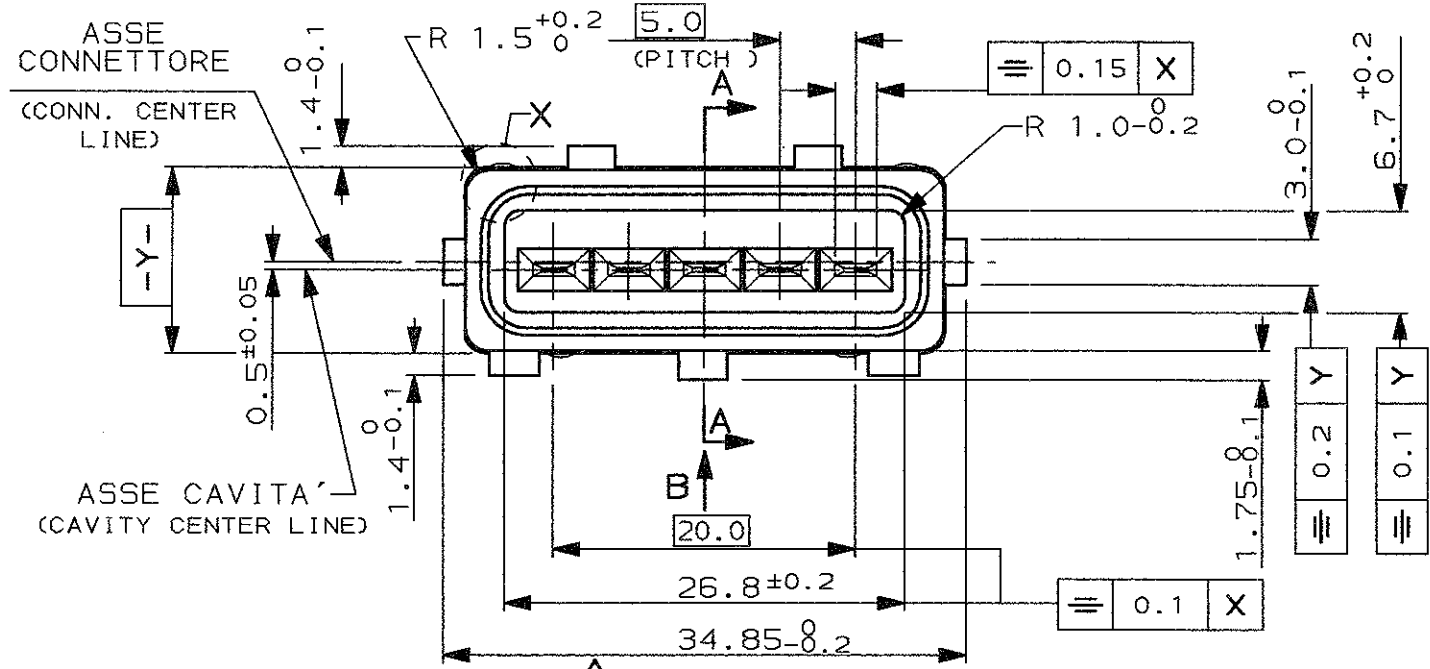


ANGOLI (ANGLES) ± 2°  
DIS. NOV. 9. '90 (DR.) Ennio CINI  
CONT. 13 OCT 92 (CHK) C. TARTARI

DESCRIZIONE (DESCRIPTION)  
5 W. SPLASH PROOF CONN. ASS'Y with SECONDARY LOCK

N ECR-14-003472	MP	24 MAR 2014	APP. (APP.)	LOC. (LOC.)	SIZE (SIZE)	NUMERO (DWG NO)	REV.	FOGLIO (SHEET)
REV. (REV.)	REVISIONI (REVISION RECORD)	DIS. DATA (DR) (DATE)		I	A3	C-282193	N	1 DI 2 (OF)

DISTRIBUZIONE (PRINT DIST.)



- 1 QUOTE APPLICABILI PER SFORMATURA PEZZO (DRAFT PERMITTED TO FACILITATE REMOVAL OF PART FROM THE MOULD)
- 2 MATERIALE LINGUETTE: LEGA DI RAME STAGNATA, ES. OTTONE STAGNATO. (TAB CONTACT MATERIAL: TIN PLATED COPPER ALLOY. E.G. BRASS TIN PLATED)
- 3 MATERIALE BLOCCHETTO: TERMOPLASTICO CARICATO FIBRA VETRO. (HOUSING MATERIAL: THERMOPLASTIC, GLASS FIBER FILLED)

FORMA ALTERN. PERMESSA CON RAGGIO (ALLOWED ALTERNATIVE PROFILE WITH RADIUS)

VISTA DA "B" (VIEW FROM "B")

FINITURA / COLORE (FINISH / COLOUR)	MATERIALE (MATERIAL)	NUMERO (PART NUMBER)
CUSTOMER DWG. FOR REFERENCE ONLY	DISEGNO PER CLIENTE SOLO PER RIFERIMENTO	19
THIS DRAWING IS UNPUBLISHED - RELEASE FOR PUBLICATION		19
© COPYRIGHT 19 BY AMP INCORPORATED, HARRISBURG, PA. ALL INTERNATIONAL RIGHT RESERVED. AMP PRODUCTS MAY BE COVERED BY U.S. AND FOREIGN PATENT AND/OR PATENT PENDING		
TOLLERANZE, SE NON DIVERSAMENTE SPECIFICATO (TOLERANCES, UNLESS OTHERWISE SPECIFIED)	DIAM. ISOLANTE (INS. DIA. RANGE)	RANGO FILO (WIRE RANGE)
± 0.3	SEE SHEET 1 OF 2	SEE SHEET 1 OF 2
ANGOLI (ANGLES)	SCALA (SCALE)	
± 2°	---	
DIS. (DR.)	DESCRIZIONE (DESCRIPTION)	
CONT. (CHK)	5 POS. SPLASH PROOF CONN. ASS'Y with SECONDARY LOCK	
APP. (APP)	LOC. SIZE NUMERO (DWG NO)	REV. FOGLIO (SHEET)
SEE SHEET 1 OF 2	I A3 C-282193	- 2 OF 2
REV. (REV.)	REVISIONI (REVISION RECORD)	DIS. DATA (DATE)

DISTRIBUZIONE (PRINT DIST.)