

ABS-239-RC 18x13x2.5t 8OHM SPEAKER

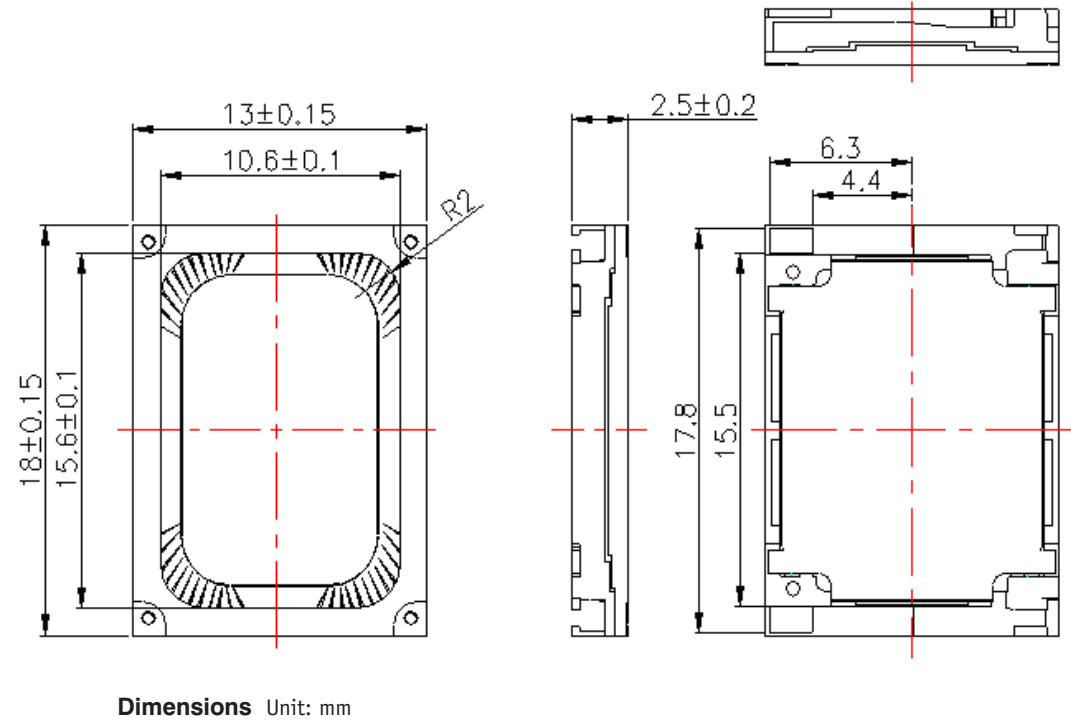
SPEAKERS

Specifications

| | ABS-239-RC |
|--|--------------|
| Rated impedance at 2.0k Hz/2.37 Vrms/in 1cc box | 8±15%Ω |
| Rated input power | 0.7W |
| Maximum input power | 1.0W |
| Resonant frequency at 2.37Vrms/0.1m in a 1cc box | 800±15%Hz |
| Frequency range | 500-10,000Hz |
| Sound pressure level at 2.0kHz/2.37 Vrms/0.1m | 93±3dB |
| Total harmonic distortion at 1KHz 0.7W/0.1m | 10%Max |
| Coil resistance | 7.4±15%Ω |
| Operating temperature | -20~+70°C |
| Storage temperature | -40~+85°C |
| Weight | 1.8g |

Material

| | |
|--------------------------|-------------------------------|
| Frame - PPA | Main & Deputy Plates - SPCC |
| Yoke - SPCC | Main & Deputy Magnets - NdFeB |
| Diaphragm - PEEK | Front Cover - PPA |
| Voice coil - Copper Wire | Solder Joints - SUS |



ALAN BUTCHER COMPONENTS LTD

Alan Butcher Components Ltd

Unit 1 Beechwood Clump Farm Industrial Estate Tin Pot Lane Blandford Dorset DT11 7TD

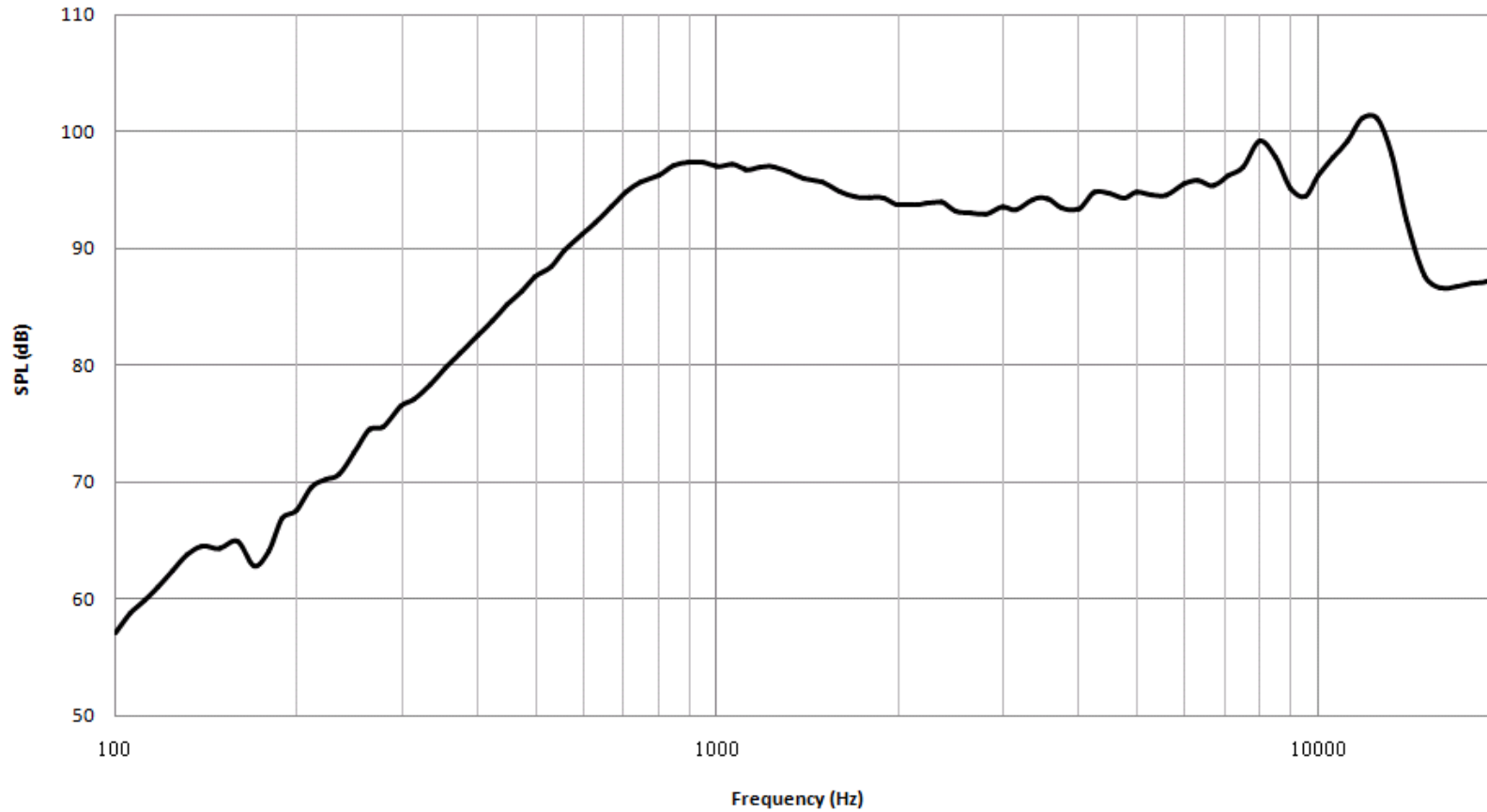
Telephone 01258 456360 Facsimile 01258 459194 Email sales@abcomponents.co.uk

www.abcomponents.co.uk

ABS-239-RC 18x13x2.5t 8OHM SPEAKER - Frequency Curve

SPEAKERS

2.37Vrms/10cm/in 1cc box



ALAN BUTCHER COMPONENTS LTD

Alan Butcher Components Ltd

Unit 1 Beechwood Clump Farm Industrial Estate Tin Pot Lane Blandford Dorset DT11 7TD

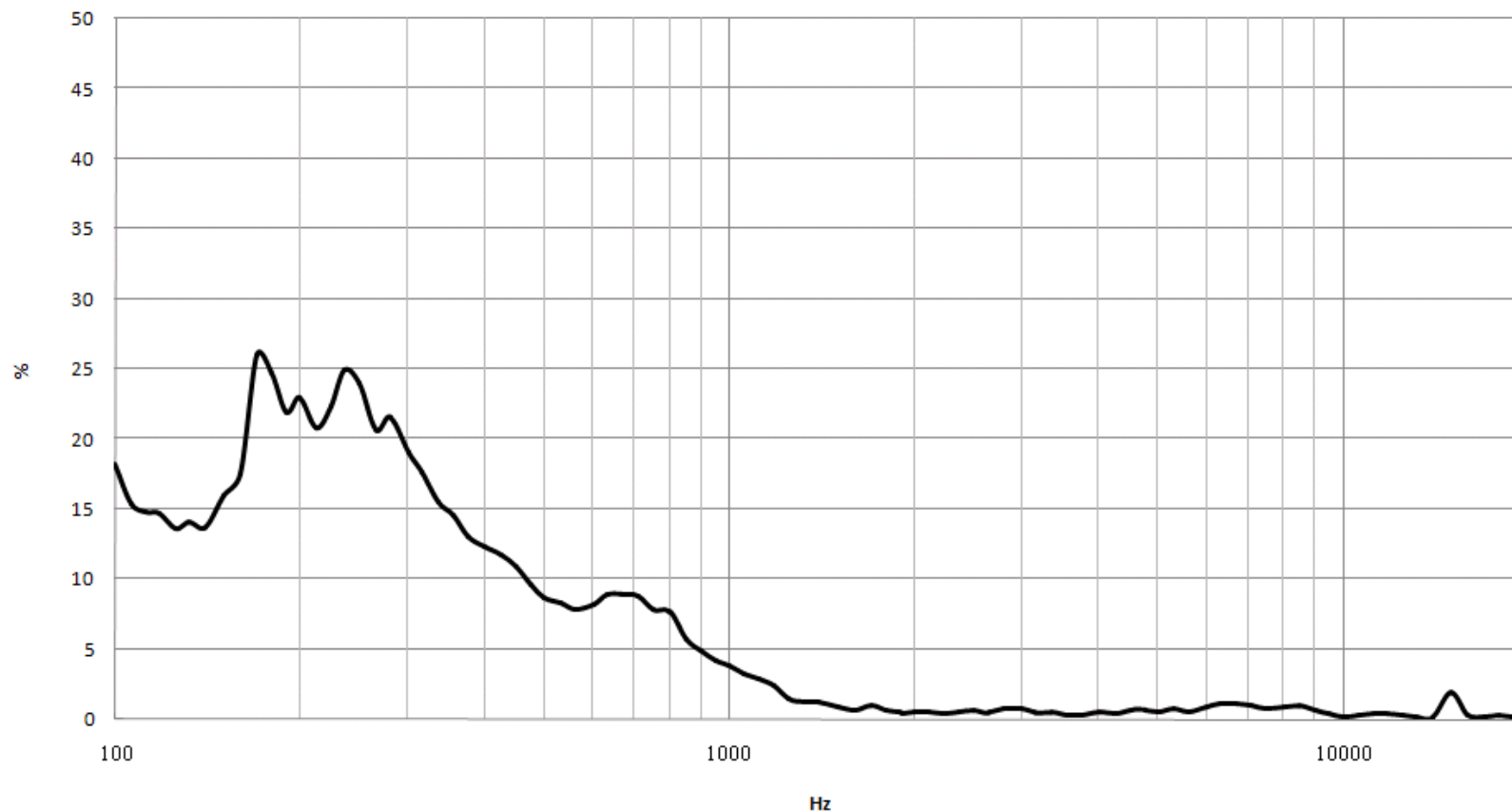
Telephone 01258 456360 Facsimile 01258 459194 Email sales@abcomponents.co.uk

www.abcomponents.co.uk

ABS-239-RC 18x13x2.5t 8OHM SPEAKER - Speaker Distortion Curve

SPEAKERS

2.37Vrms/10cm/in 1cc box



ALAN BUTCHER COMPONENTS LTD

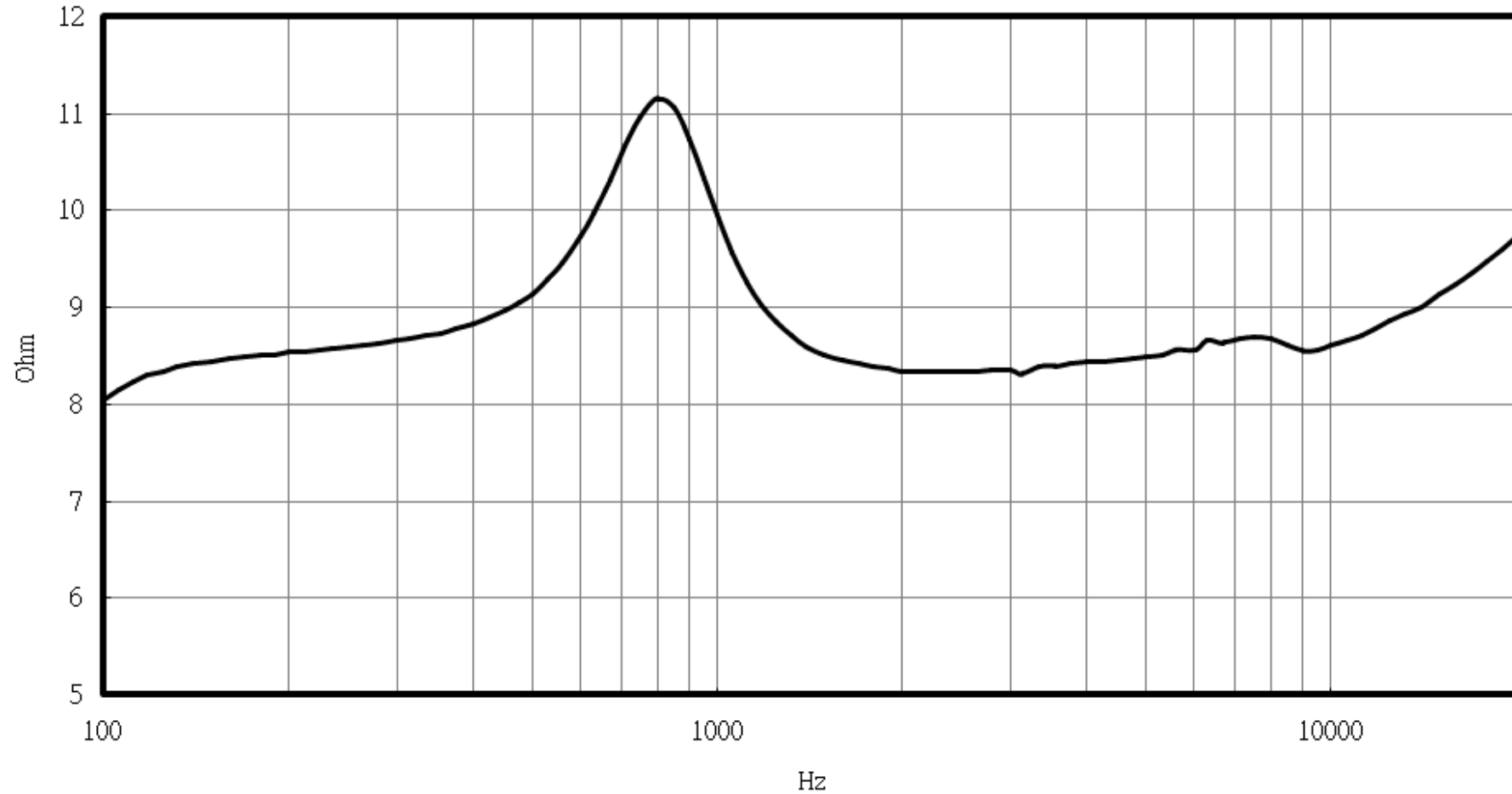
Alan Butcher Components Ltd

Unit 1 Beechwood Clump Farm Industrial Estate Tin Pot Lane Blandford Dorset DT11 7TD

Telephone 01258 456360 Facsimile 01258 459194 Email sales@abcomponents.co.uk

www.abcomponents.co.uk

2.37Vrms/10cm/in 1cc box



ALAN BUTCHER COMPONENTS LTD

Alan Butcher Components Ltd

Unit 1 Beechwood Clump Farm Industrial Estate Tin Pot Lane Blandford Dorset DT11 7TD

Telephone 01258 456360 Facsimile 01258 459194 Email sales@abcomponents.co.uk

www.abcomponents.co.uk