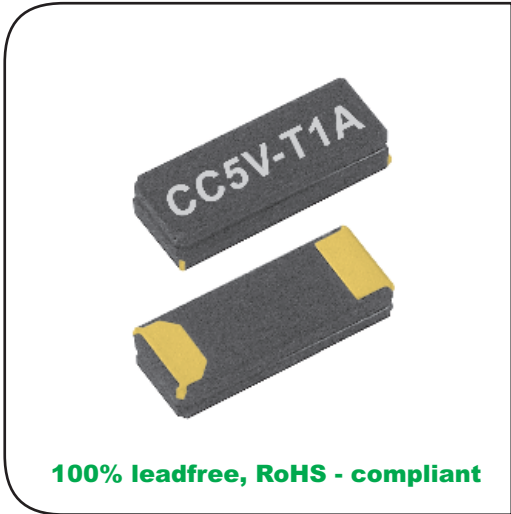
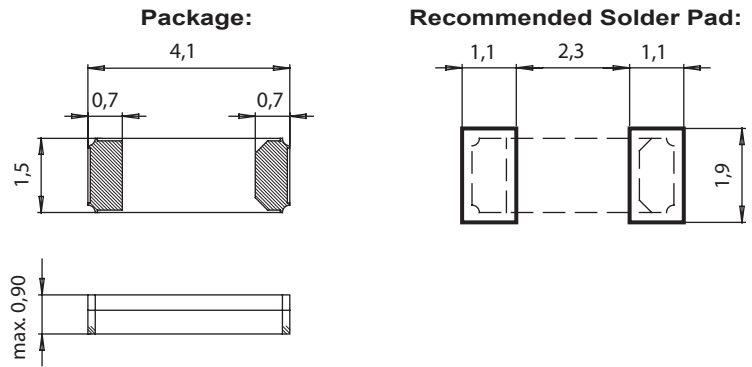


CC5V-T1A

Tuning Fork Crystal 32.768 kHz



DIMENSIONS



All dimensions in mm typical

Miniature SMT ceramic package
Package height 0.90 mm
SMD-package in Tape and Reel
Ind. and Ext. temperature ranges
High stability
Low aging
Low power consumption
High shock and vibration resistance

DESCRIPTION:

This SMD ceramic package has been specially designed for miniature industrial, telecom and medical applications. The crystals are supplied in special trays (200 crystals per tray). For pick-and-place equipment, the parts are available in 12 mm tape:
 7" (178 mm) reel with 3'000 crystals
 13" (330 mm) reel with 14'000 crystals

ELECTRICAL CHARACTERISTICS AT 25°C:

Nominal Frequency	¹⁾ F _L	32.768	kHz
Load capacitance	²⁾ C _L	9.0 / 12.5	pF
Frequency tolerance	³⁾ ΔF/F	+/-20	ppm
		+/-100	ppm
Series resistance typ./max.	⁴⁾ R _S	60 / 80	kΩ
Motional capacitance typ.	C ₁	2.3	fF
Static capacitance typ.	C ₀	1.4	pF
Drive level max.	P	1.0	μW
Insulation resistance min.	R _i	500	MΩ
Aging first year max.	ΔF/F	+/-3	ppm
Turnover temperature	T ₀	25 +/-5	°C
Frequency vs. temperature	ΔF/F ₀	-0.035 ppm/°C ² (T - T ₀) ² +/-10%	ppm

- 1) Other frequencies on request.
- 2) Other load capacitances on request.
- 3) Tighter and wider frequency tolerances on request.
- 4) On request 70 kΩ max.

STANDARD FREQUENCIES:

Frequency kHz
32.768
Other frequencies on request

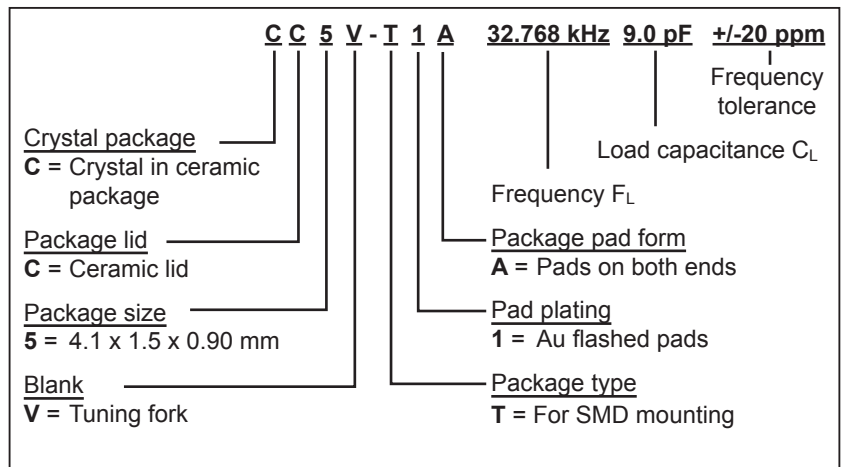
**ENVIRONMENTAL
CHARACTERISTICS:**

		Conditions	Max. Dev.
Storage temp. range		-55 to +125°C	
Industrial operating temp. range		-40 to +85°C	
Extended operating temp. range		-55 to +125°C	
Shock resistance	ΔF/F	5000 g, 0.3 ms, ½ sine	+/-5 ppm
Vibration resistance	ΔF/F	20 g / 10–2000 Hz	+/-5 ppm

**TERMINATIONS AND
PROCESSING:**

Type	Termination	Processing
CC5V-T1A	For SMD mounting Au flashed pads	Reflow soldering 260°C / 20 s max.

**PART NUMBER/
ORDERING INFORMATION
EXAMPLE:**



All specifications subject to change without notice. 04.09



Micro Crystal AG
Mühlestrasse 14
CH-2540 Grenchen
Switzerland

Tel. +41 32 655 82 82
Fax +41 32 655 82 83
sales@microcrystal.ch
www.microcrystal.com