

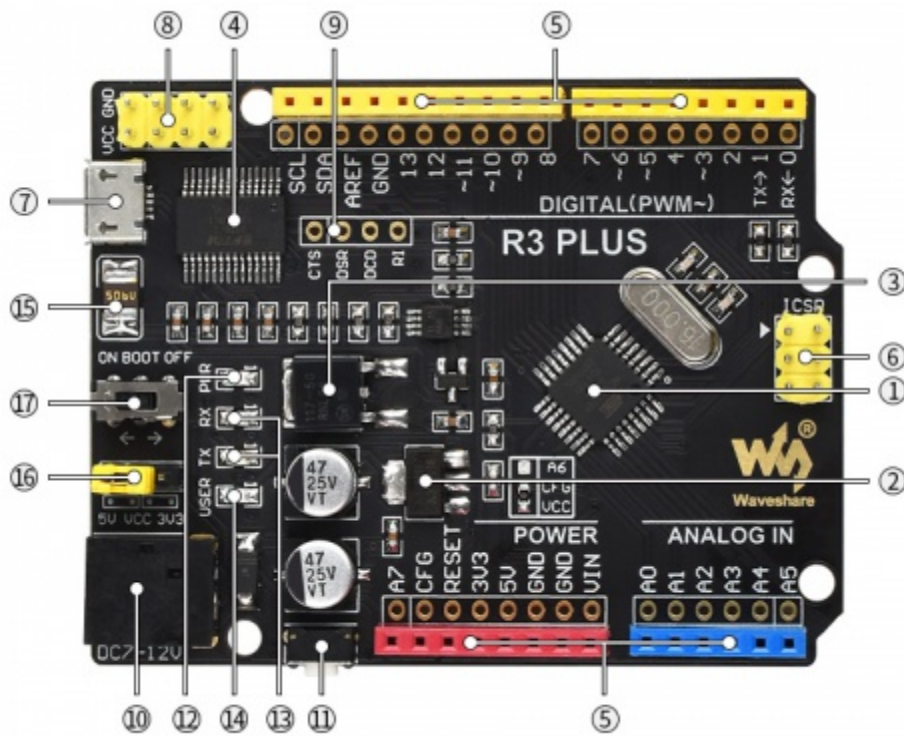
R3 PLUS

Introduction

Compatible with Arduino UNO R3, Onboard MCU ATMEGA328P-AU

[More](#)

Hardware



1. ATMEGA328P-AU
2. AMS1117-3.3
3.3V voltage regulator
3. NCP1117ST50T3G
5V voltage regulator
4. FT232RL
USB to UART convertor
5. Arduino interface
compatible with standard Arduino interface with two additional analog inputs A6 (config the CFG), A7 solder pads provided, supports prototype breadboard
6. ICSP interface
7. MICRO USB connector
for uploading program OR serial port debugging

8. Power output header

3.3V OR 5V, voltage level configured by the onboard power configuration switch, used as power output OR common-grounding with other boards

9. FT232 pins

for burning Bootloader into the microcontroller

10. DC input

7V ~ 12V

11. Reset button

12. Power indicator

13. Serial port Rx/Tx indicator

14. User LED

15. 500mA fast auto-recovery fuse

16. Power configuration

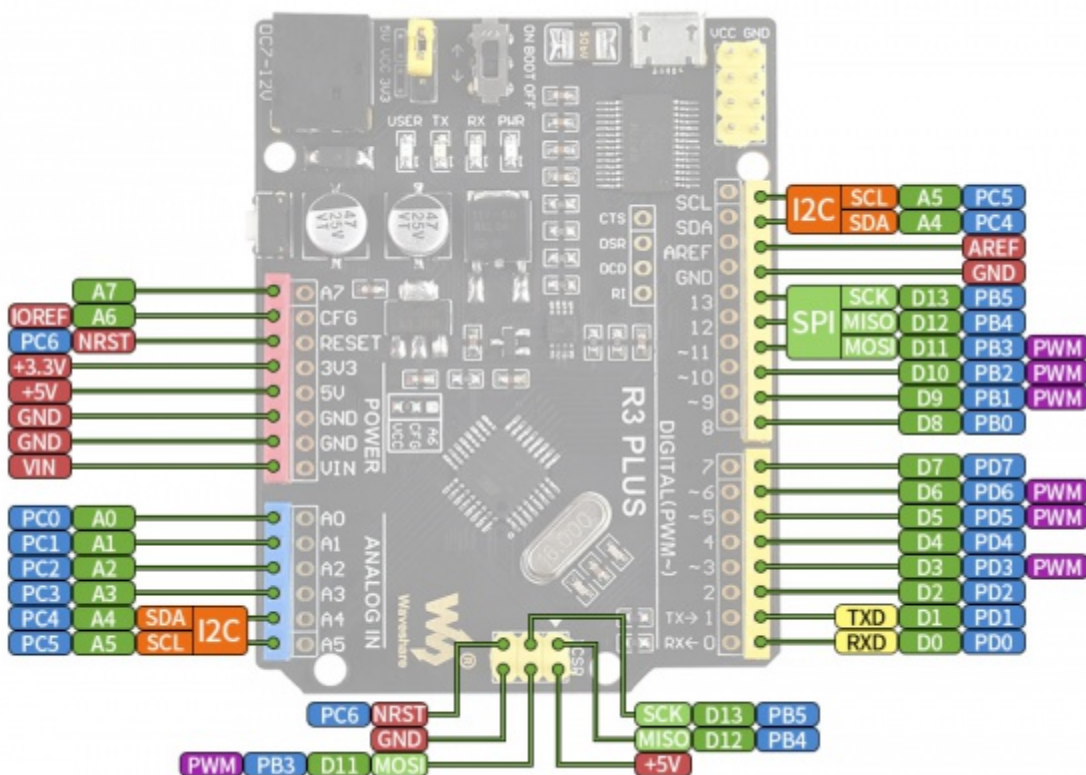
for configuring the operating voltage

17. Bootloader selection switch

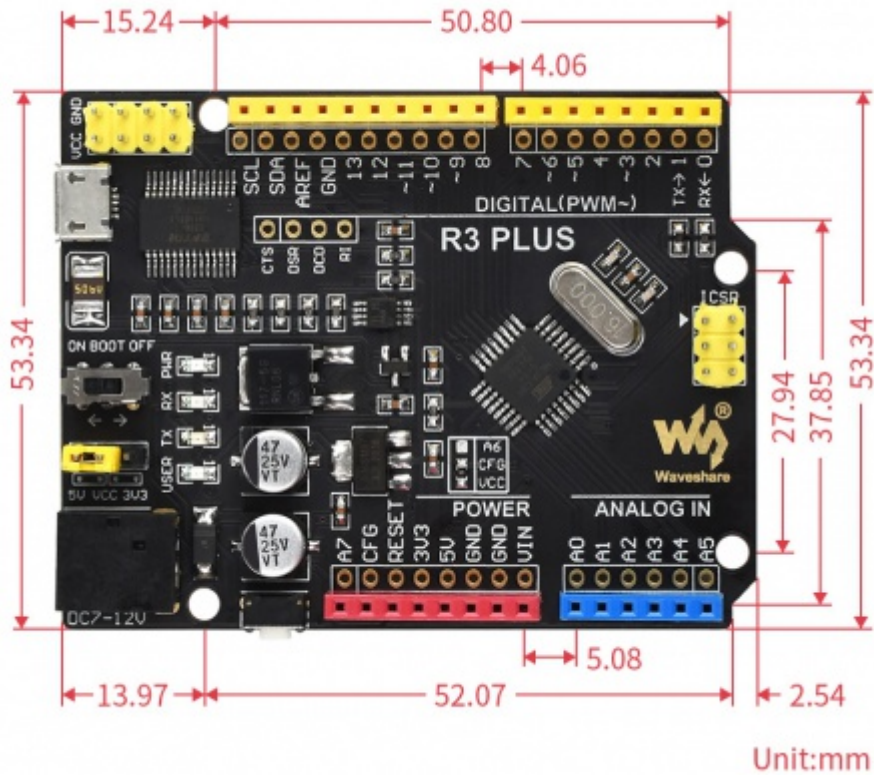
turn ON: the board will reset when power-up OR other USB devices were detected connecting to the PC

turn OFF: the onboard program runs immediately when power-up, and the board will not reset when other USB devices were detected connecting to the PC

Pinouts



Dimension



Related board

- [IO Expansion Shield](#)