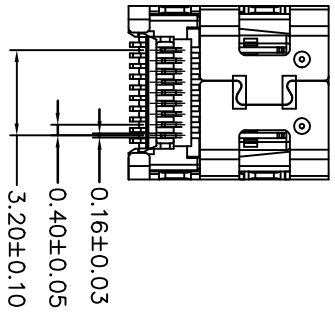
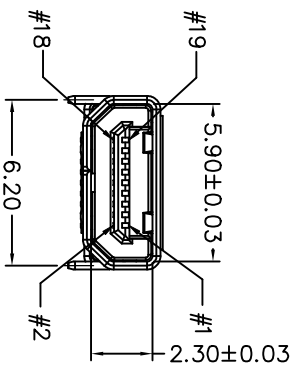
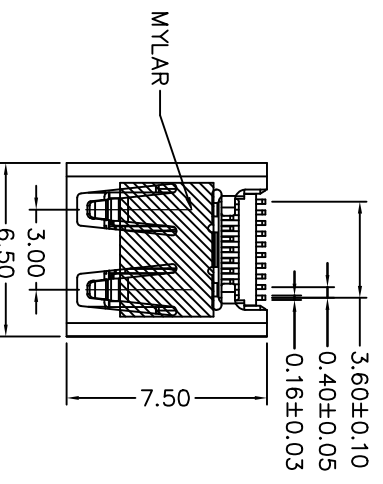
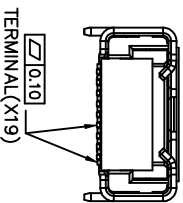
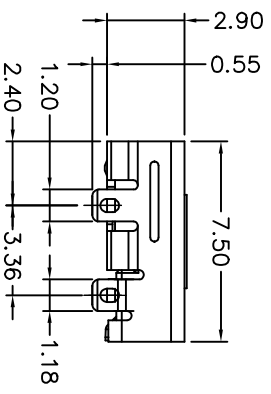


PART NUMBER
10118242-0X1RLF

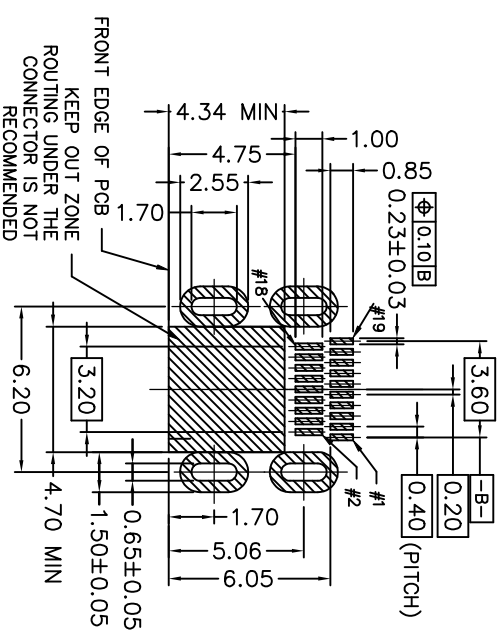
PART NO. DESCRIPTION:
10118242-XXXXLF



- LEAD FREE
- PACKAGING TYPE
- R: TAPE & REEL
- CONTACT AREA PLATING
- 1: Au 15u"
- 2: Au 30u"
- COLOR OPTION
- 0: BLACK
- 1: NATURAL
- MYLAR OPTION
- 0: WITH MYLAR
- 1: WITHOUT MYLAR



- NOTES:
1. MATERIAL:
HOUSING: LCP+30%GF, UL94 V-0, BLACK OR NATURAL
TERMINAL: COPPER ALLOY.
SHELL: STAINLESS STEEL
 2. FINISH:
CONTACT AREA: GOLD PLATED
SOLDER AREA: GOLD FLASH PLATED
SHELL: TIN PLATED
NICKEL PLATED UNDER OVER ALL
 3. PRODUCT SPECIFICATION: GS-12-0983.
 4. PACKAGING SPECIFICATION: GS-14-2164.
 5. THE PRODUCT MEETS EUROPEAN UNION DIRECTIVES AND OTHER COUNTRY REGULATIONS AS DESCRIBED IN GS-22-008.
 6. THE CONNECTOR CAN WITHSTAND EXPLOSURE TO 260 DEGREE PEAK TEMPERATURE FOR 10 SECONDS IN IR REFLOW OVEN.



RECOMMENDED PCB LAYOUT (.XX±0.05)
CONNECTOR SIDE (TOP VIEW)

mat'l code	surface	tolerance	projection	product family
HPL528	ISO 1302	ASME Y14.5		HDMI
ltr ecn no dr date	tolerances unless otherwise specified			
H BX-N-3912 JASON 11/26/20	angles	.XX±0.25	MM	HDMI TYPE D RECEPTACLE
B BX-N-072816 ZK 09/07/12	linear	.XX±0.20		
C BX-N-16428 HENRY 12/04/13	±1"	XXX±	scale 1:1	
D BX-N-24781 TONY 08/23/16 DR	LEF_SHEN	09/13/11		
E BX-N-25475 TONY 11/25/16 eng JASON_WANG 11/26/20				
F BX-N-25888 TONY 01/12/17 chr				
G BX-N-28731 TONY 12/08/17 pppd	TIM_YAO	09/13/11		
sheet revision H				
index sheet 1				