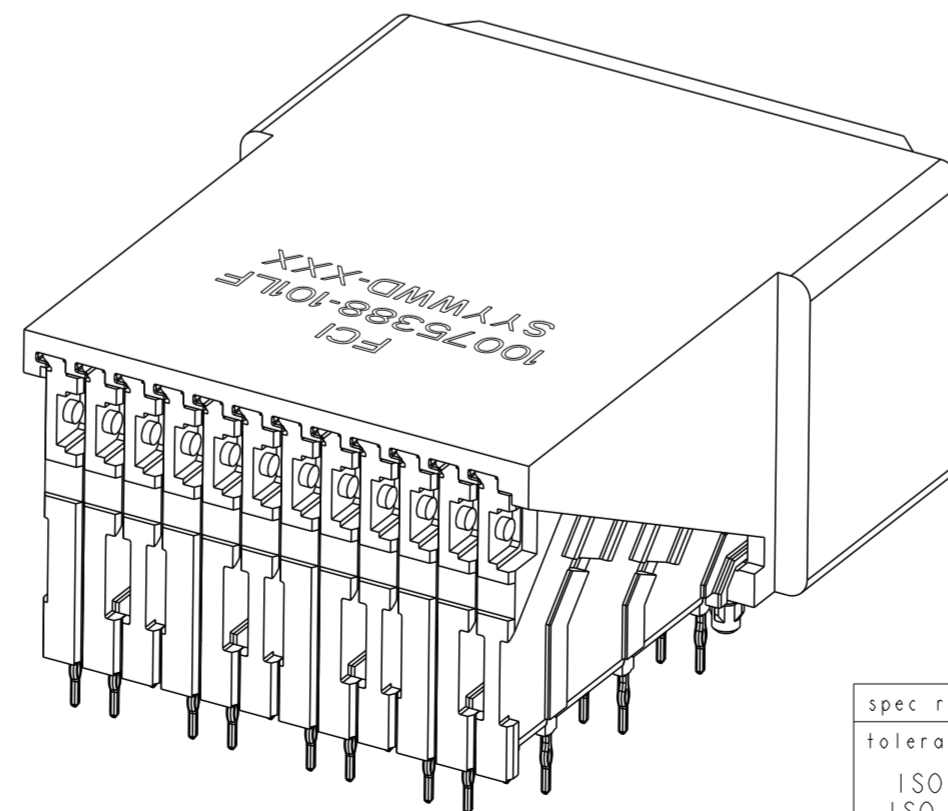
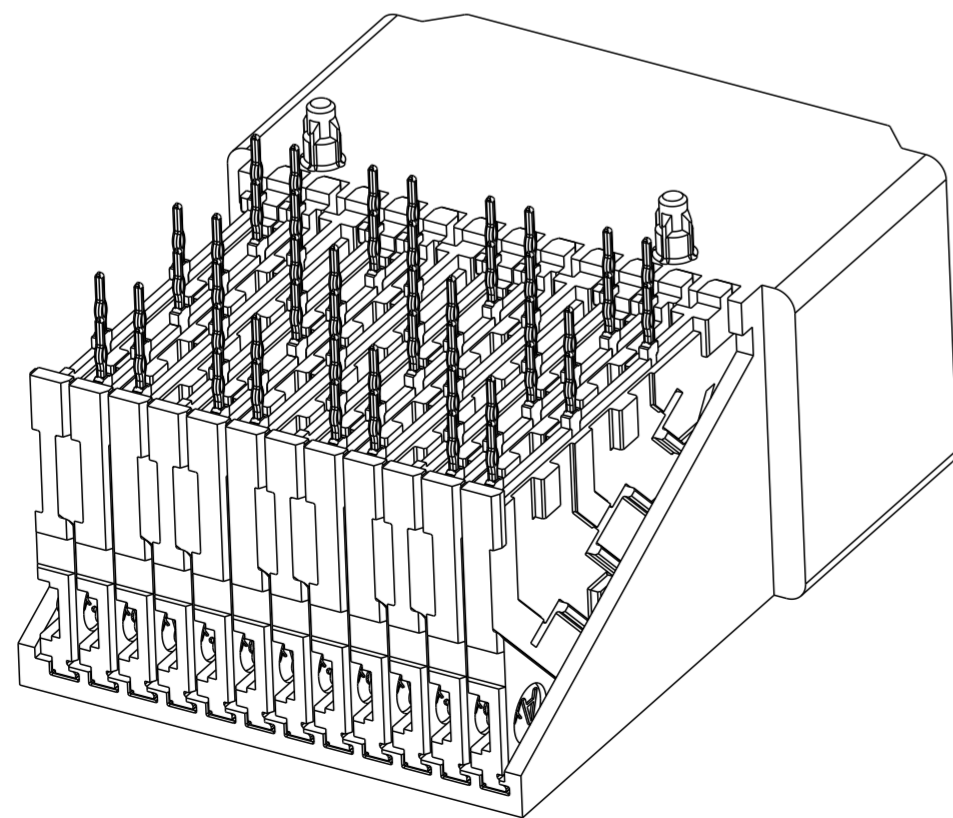
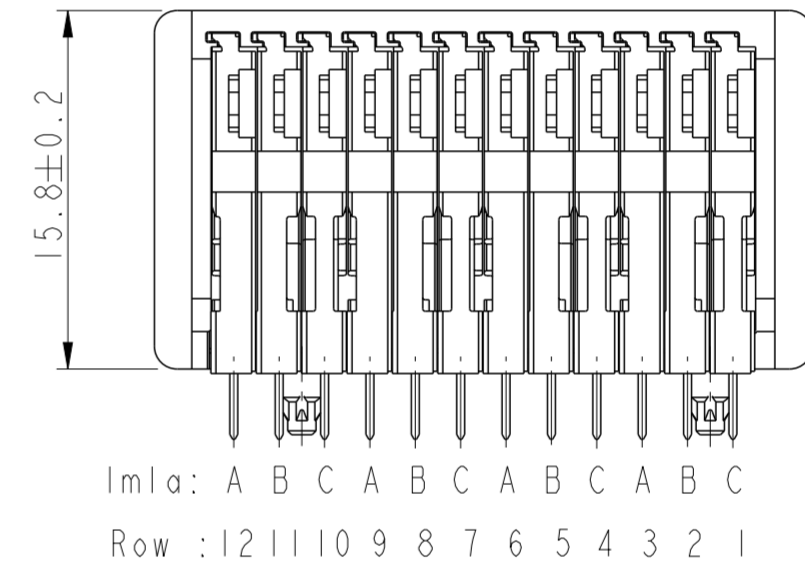
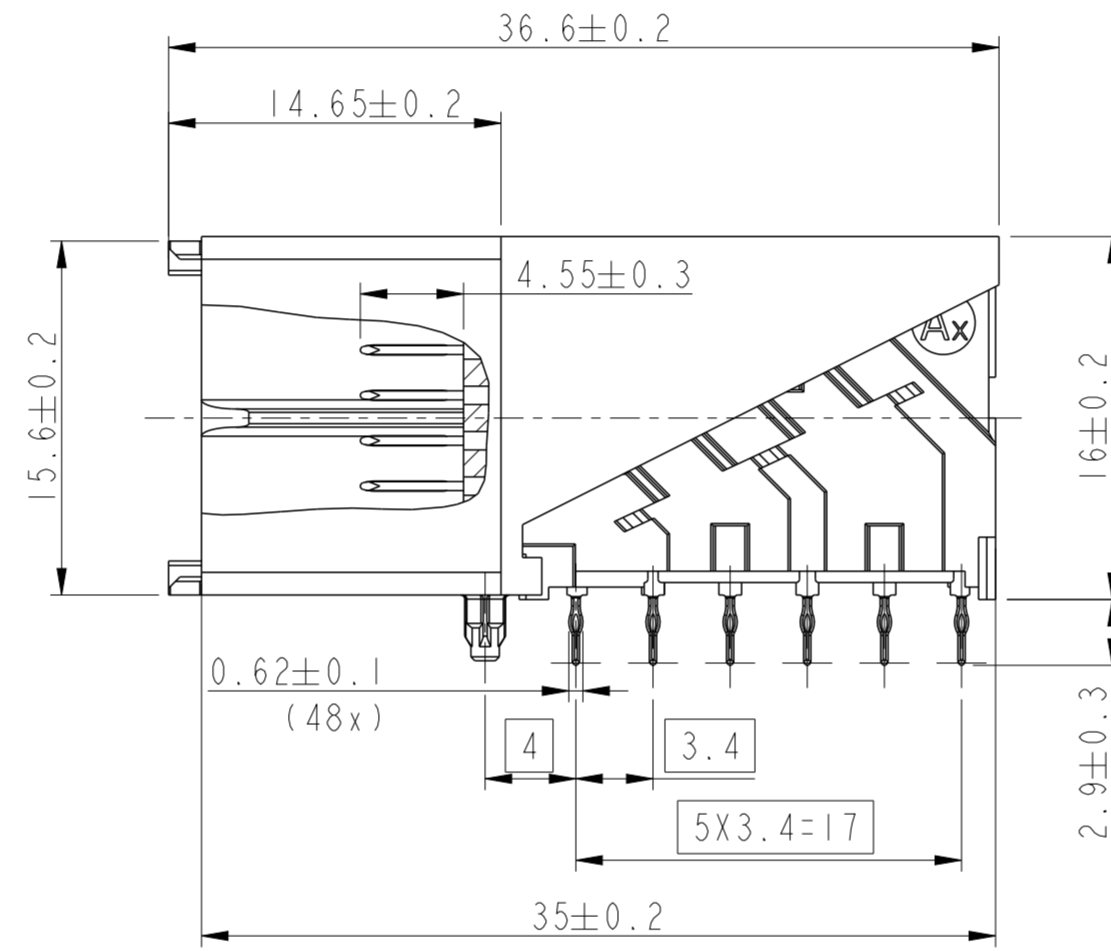
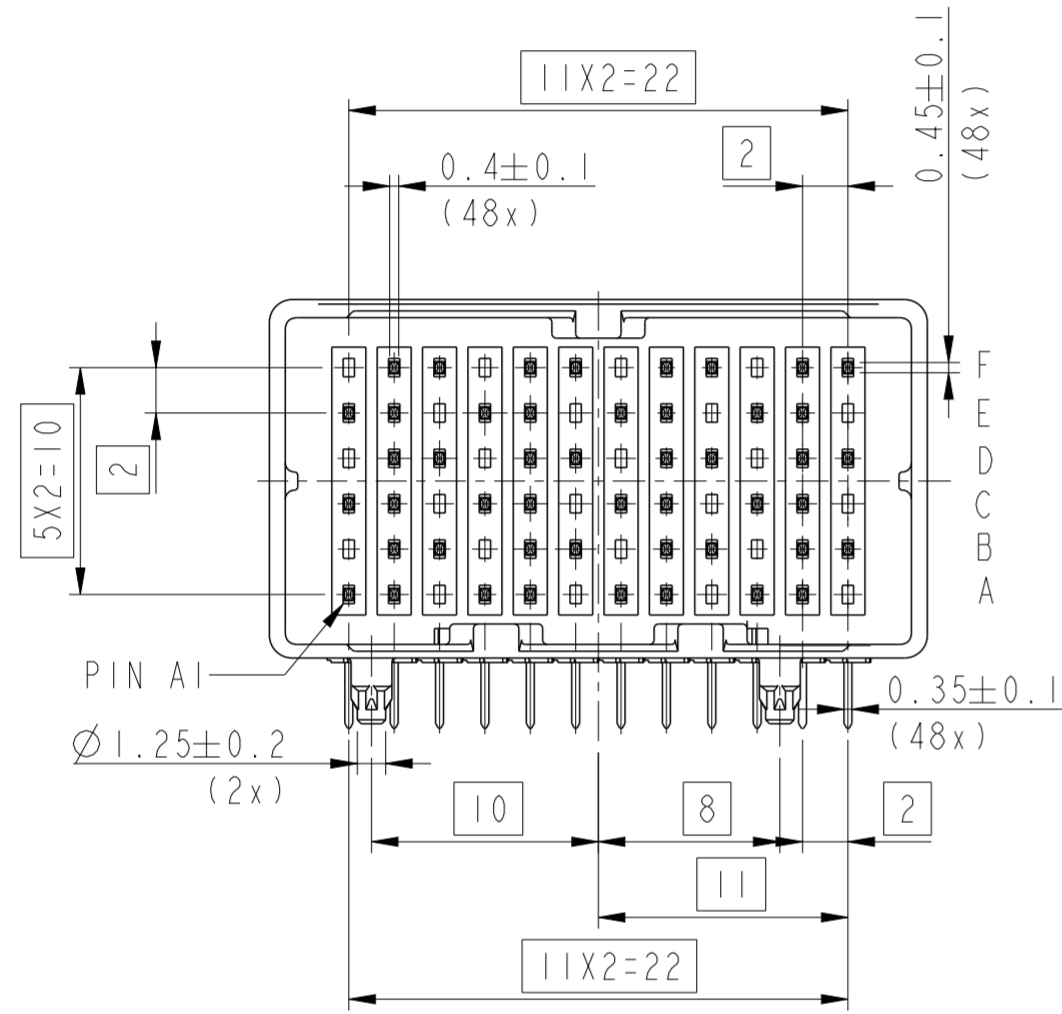
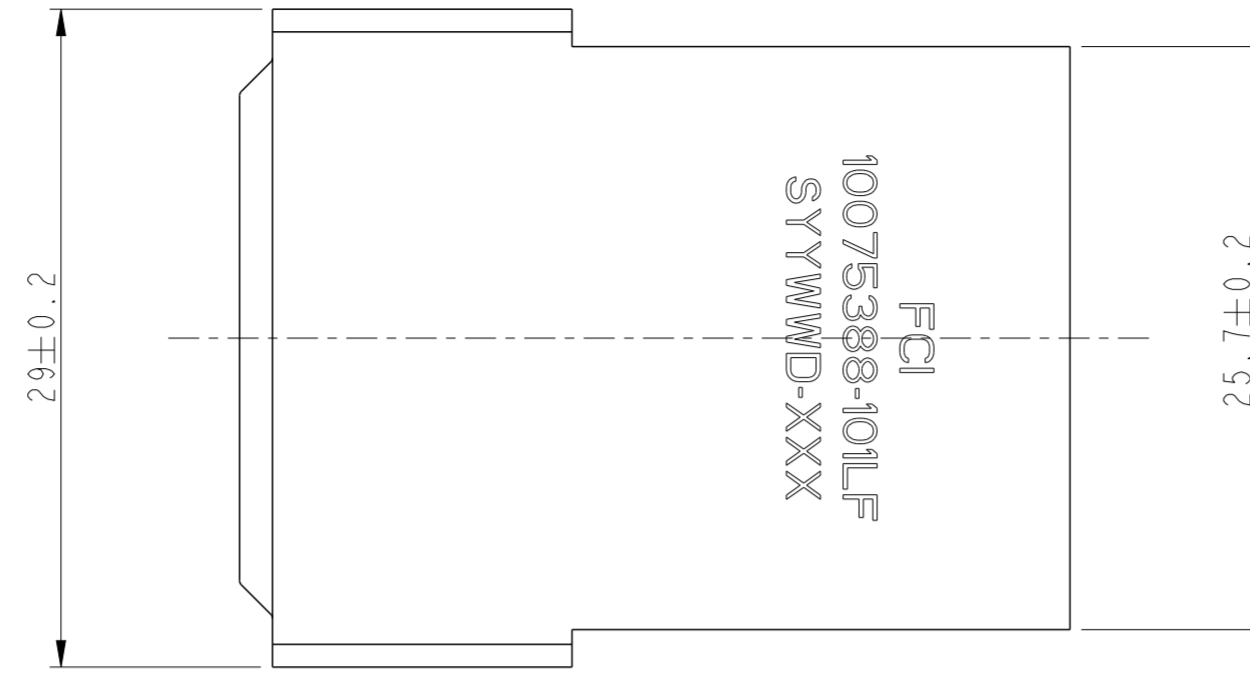


PRODUCT NUMBER
10075388-X01(L)LF

RA HEADER BOARD CONNECTOR
24 PAIRS ON 2MM PITCH

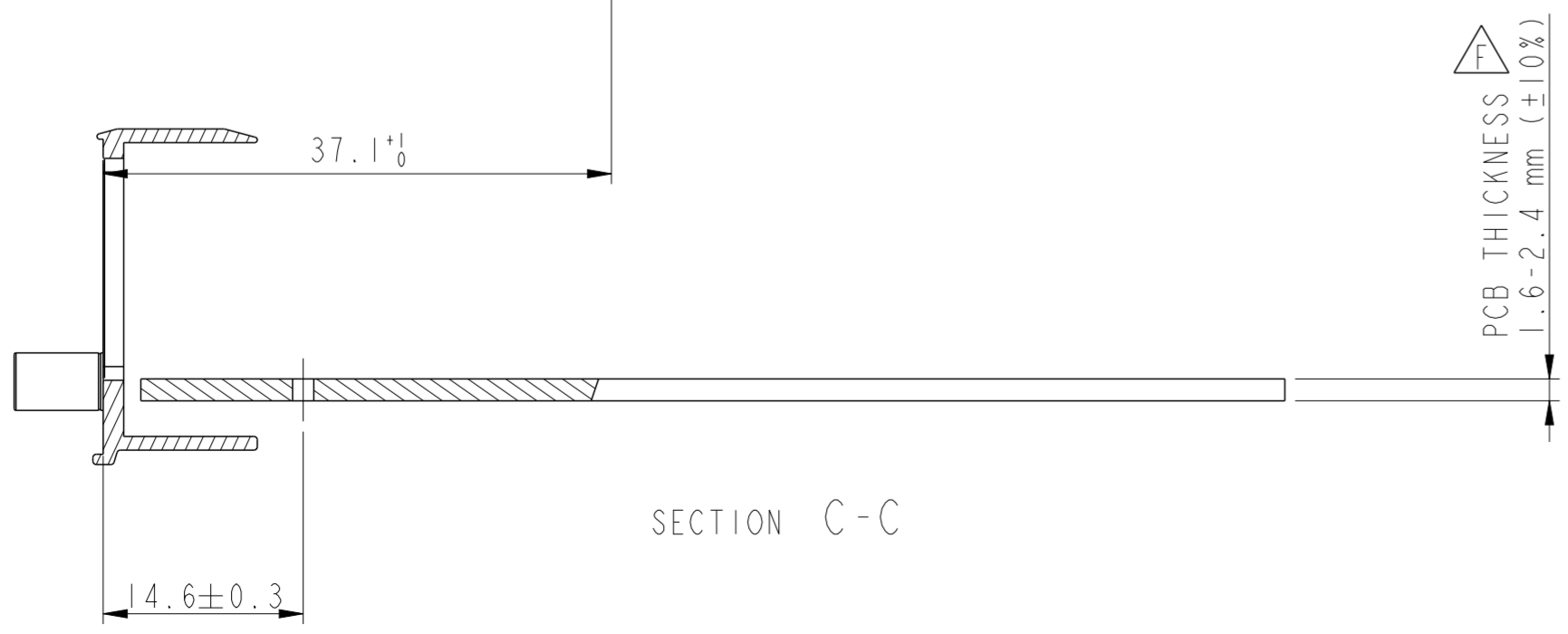
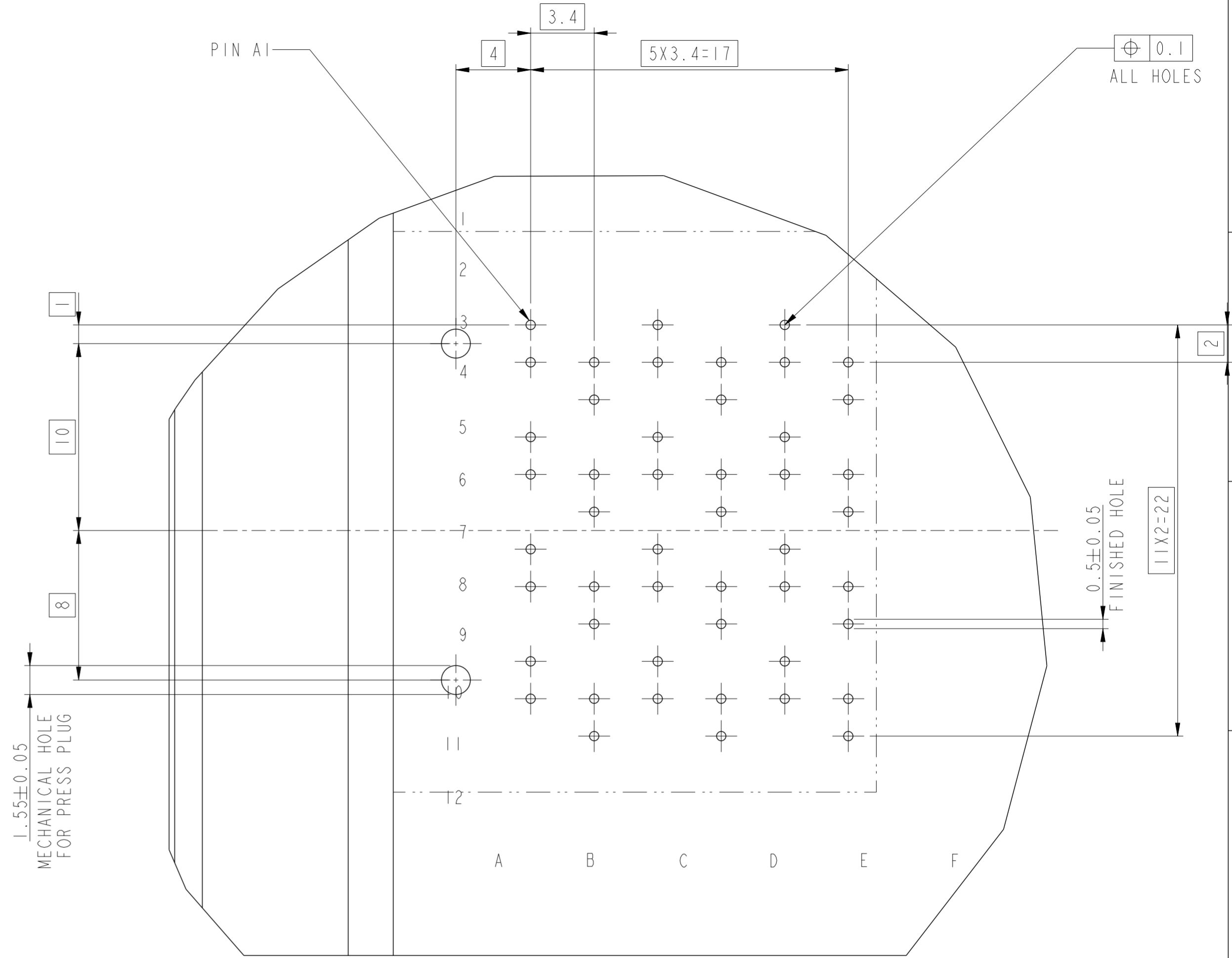
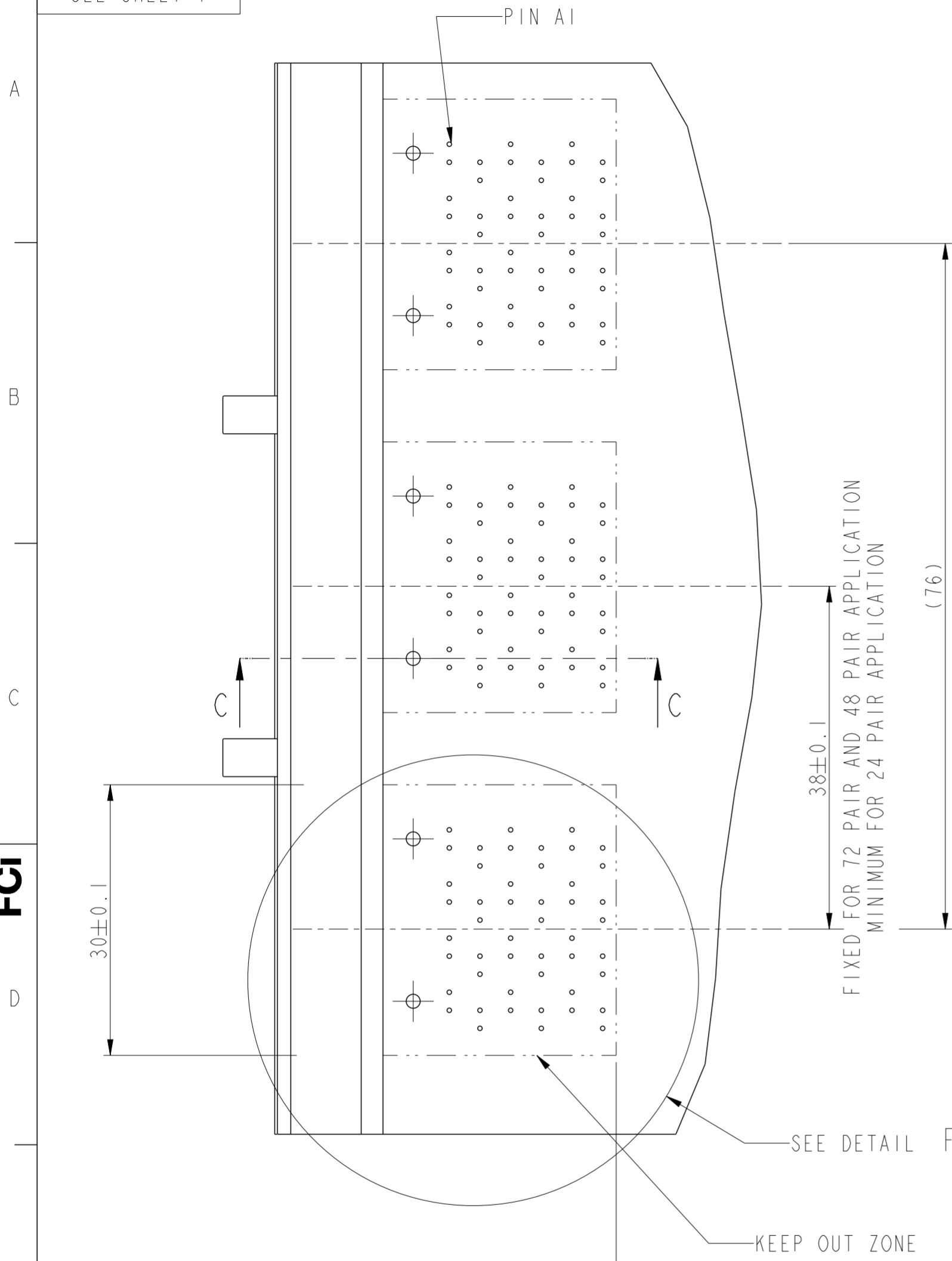
L REFER LUBRICATED (OPTIONAL) \triangle
SEE NOTE 4

X REFER PLATING PERFORMANCE \triangle
SEE NOTE 4



spec ref	-	dr	P-Mathew Nebu	2011/05/28	projection	MM	size	A2	scale	3:1	
tolerance std	ISO 406 ISO 1101	eng	Rahul Mohan-M	2021/06/24	chr	-	ecn no	ELX-41332-1	rel level	Released	
surface	linear ISO 1302	appr	Kuriakosa, San	2021/08/16	product family	METRAL	rel level	Released	dwg no	10075388	
	angular	0°	±	0.X	±	0.XX	±	0.XXX	±	Amphenol FCI amphenol-icc.com	
		title		RA HEADER BOARD CONN. METRAL HDXS BOARD CONNECTOR		cat. no.		Product - Customer Drw		rev	H
										sheet 1 of 4	

PRODUCT NUMBER
SEE SHEET 1



DETAIL F
SCALE 5:1

SIGNAL PTH DETAILS	
DRILLED HOLE	0.58-0.62 mm
COPPER PLATING	25-50 μm
TIN PLATING	0.8-1.2 μm
FINISHED HOLE DIA.	0.46-0.55 mm

spec ref	-	dr	P-Mathew Nebu	2011/05/28	projection	MM	size	A2	scale	2:1
tolerance std	ISO 406 ISO 1101	eng	Rahul Mohan-M	2021/06/24			ecn no	ELX-41332-1		
TOLERANCES UNLESS OTHERWISE SPECIFIED		chr	-	appr				Kuriakosa, San	2021/08/16	product family
surface	linear	0.X	±			RA HEADER BOARD CONN. METRAL HDXS BOARD CONNECTOR	dwg no 10075388	rev H	Product - Customer Drw	
ISO 1302	angular	0°	±°						cat. no.	sheet 2 of 4

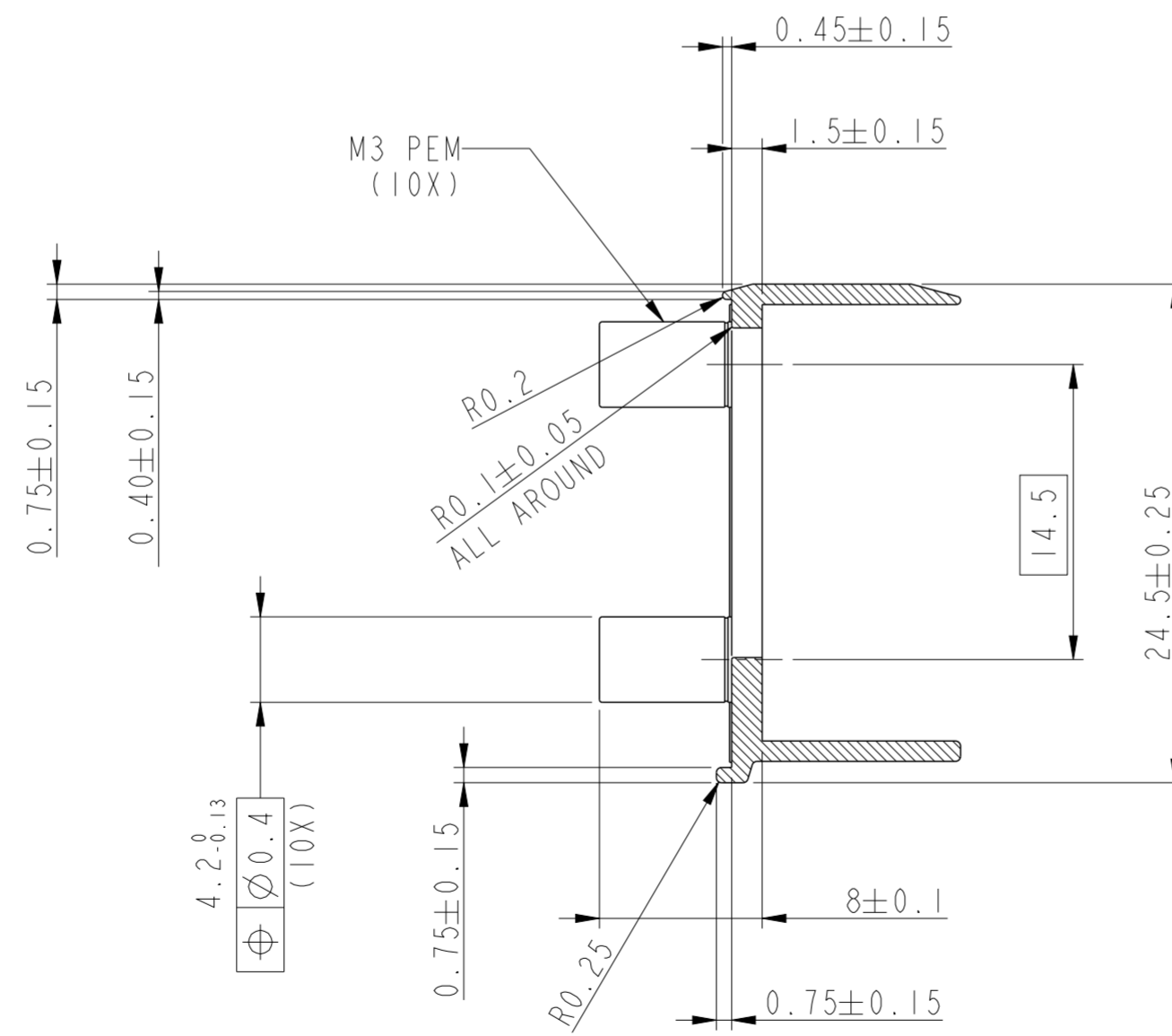
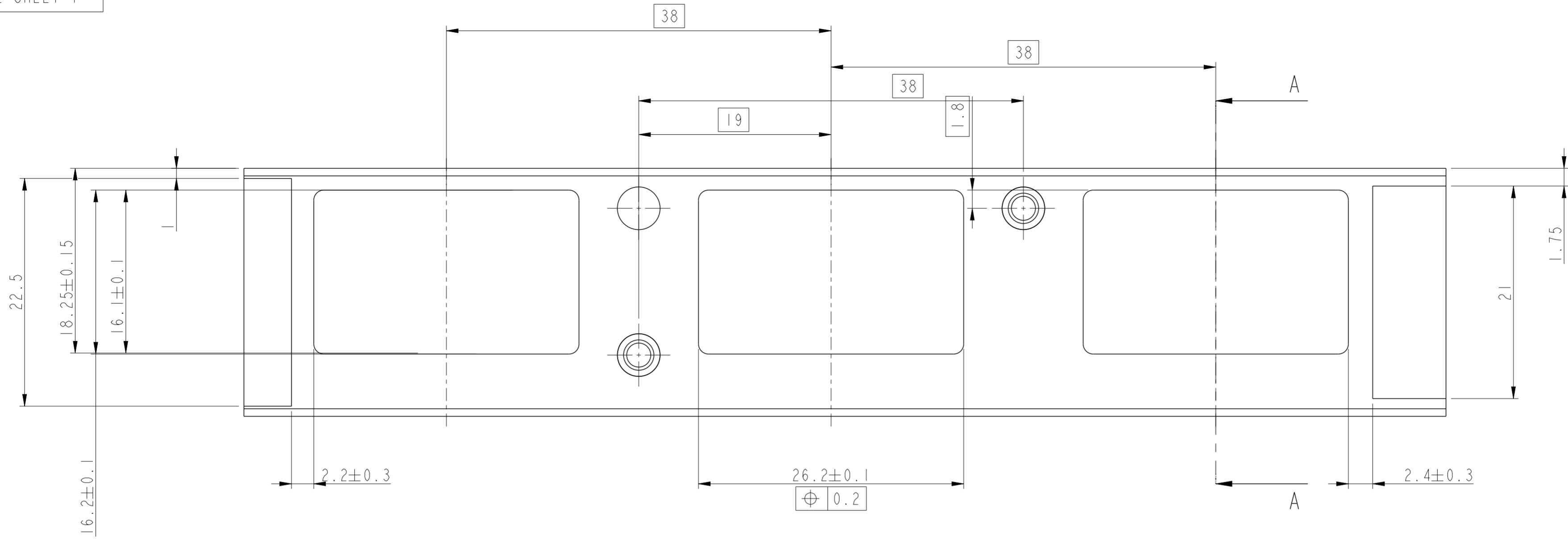
PDS: Rev :H

STATUS:Released

Printed: Aug 16, 2021

© 2020 Amphenol Corporation

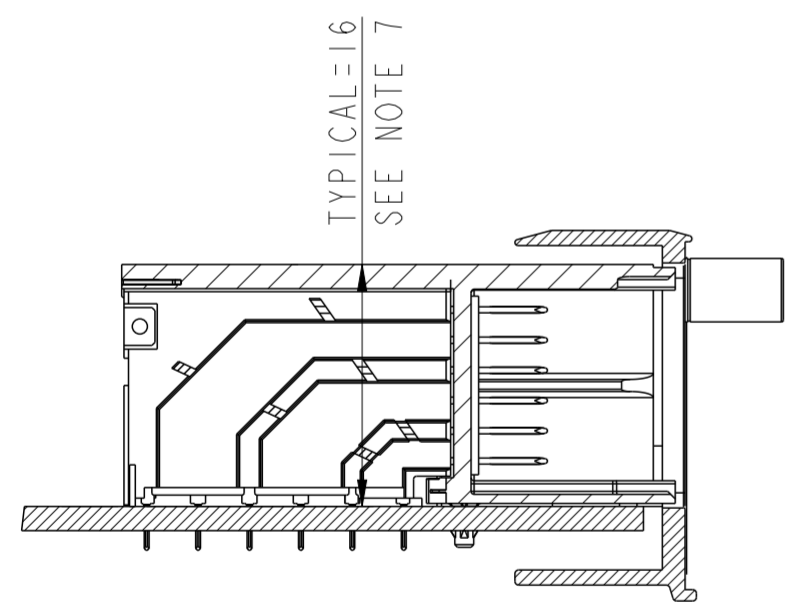
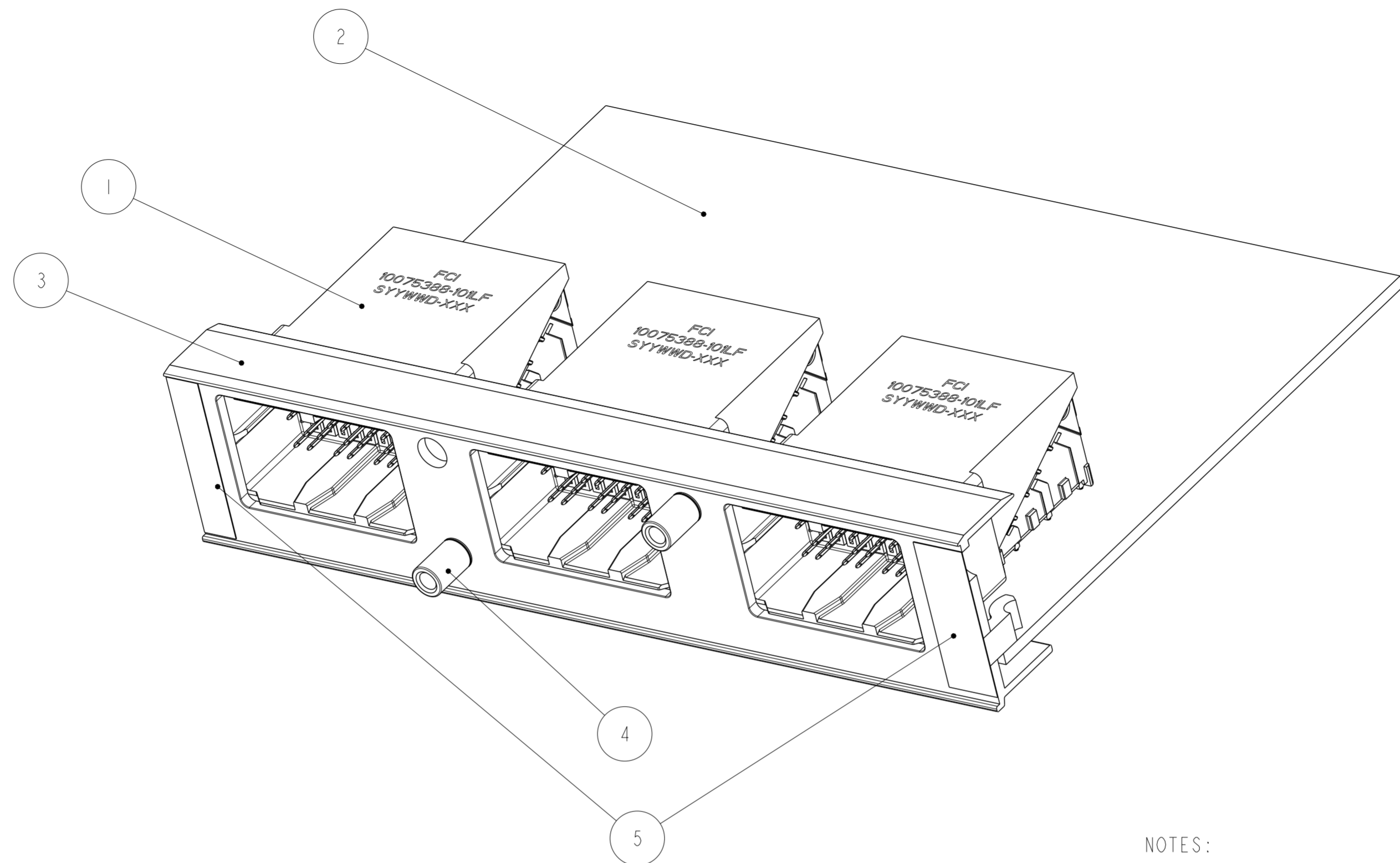
PRODUCT NUMBER
SEE SHEET 1



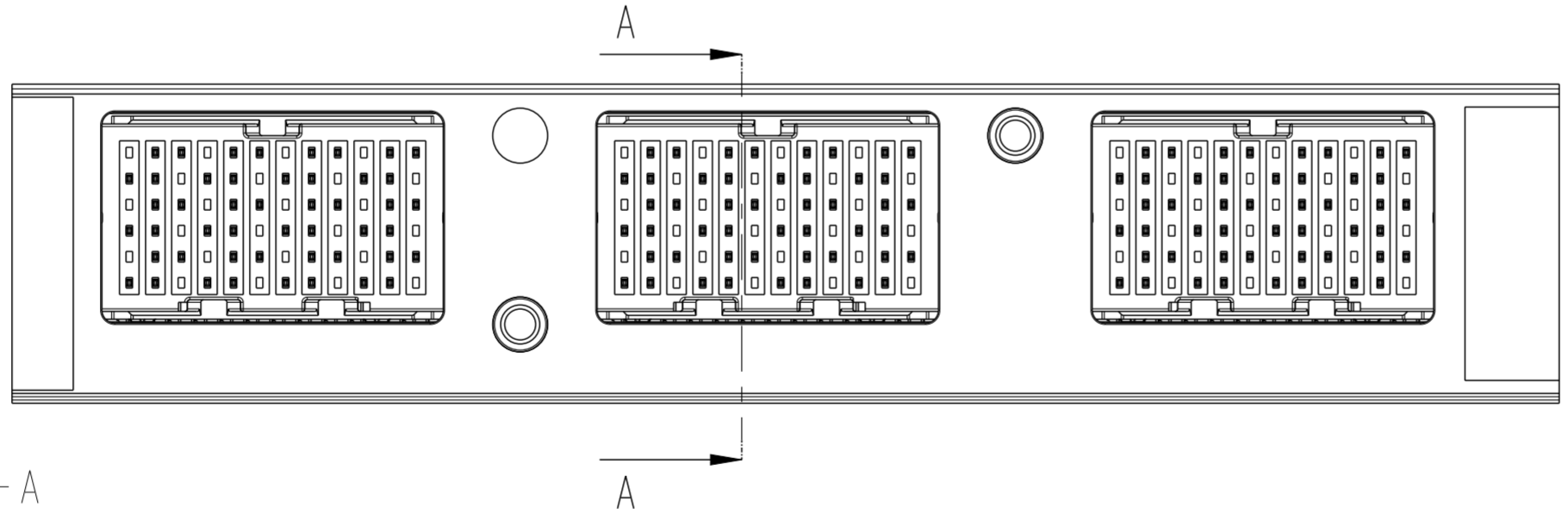
SECTION A-A
SCALE 3:1

spec ref	-	dr	P-Mathew Nebu	2011/05/28	projection	MM	size	A2	scale	3:1	
tolerance std	ISO 406 ISO 1101	eng	Rahul Mohan-M	2021/06/24			ecn no	ELX-41332-1	rel level	Released	
TOLERANCES UNLESS OTHERWISE SPECIFIED		chr	-	appr			Kuriakose, San	2021/08/16		product family	
surface	ISO 1302	linear	0.X	±			RA HEADER BOARD CONN. METRAL HDXS BOARD CONNECTOR		dwg no	10075388	
		angular	0°	±			cat. no. Product - Customer Drw		sheet 3 of 4	rev	H

PRODUCT NUMBER
SEE SHEET 1



SECTION A-A
SCALE 2:1



- NOTES:
- Product Specification : GS-12-485
 - Application Specification : GS-20-091
 - Packaging Specification : GS-14-1265
 - For plating performance level refer drawing # 10159408.
 - This product meets European Union Directives and other country regulations as described in GS-47-0004
 - Insertion depth for flat-rock insertion. See Product Specification for more details
 - To remove Board Connector from PCB, use removal tool 10092444-1001 acc. to instruction 10097232;
 - Materials :
 Housing : Themoplastic UL94-V0.
 IMLA : Themoplastic UL94-V0. \triangle
 Leadframe : Copper alloy \triangle
 - A \triangle symbol will be next to any dimension, view, or note which has been modified with the current drawing revision.

S.No	DESCRIPTION
1	BOARD CONNECTOR
2	PCB
3	FRONT PANEL
4	PEM
5	STICKERS

spec ref	-	dr	P-Mathew Nebu	2011/05/28	projection	MM	size	A2	scale	1:1
tolerance std	ISO 406 ISO 1101	eng	Rahul Mohan-M	2021/06/24			ecn no	ELX-41332-1		
TOLERANCES UNLESS OTHERWISE SPECIFIED		chr	-	appr			Kurjakosa, San	2021/08/16	product family	-
surface	linear	0.X	±	Amphenol FCI RA HEADER BOARD CONN. METRAL HDXS BOARD CONNECTOR amphenol-icc.com		title RA HEADER BOARD CONN. METRAL HDXS BOARD CONNECTOR cat. no.	dwg no 10075388	rev H	Product - Customer Drw	
	angular	0°	±°						sheet 4 of 4	

© 2020 Amphenol Corporation