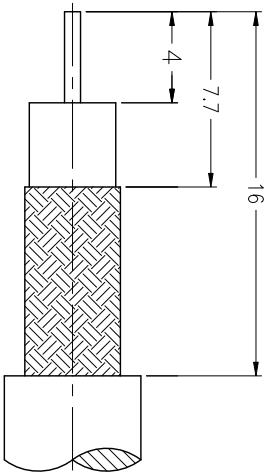
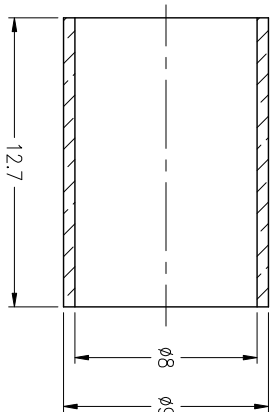
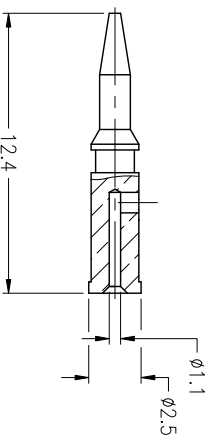
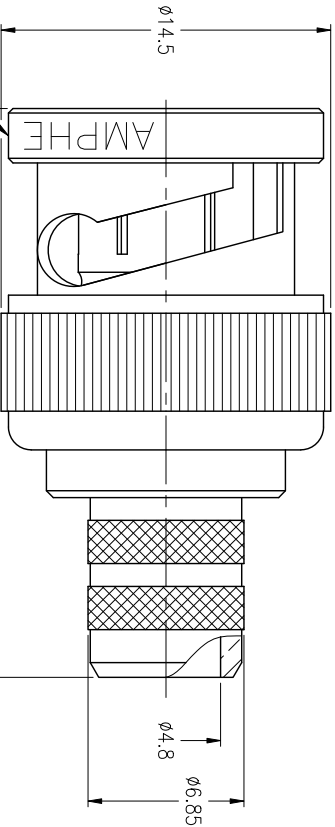
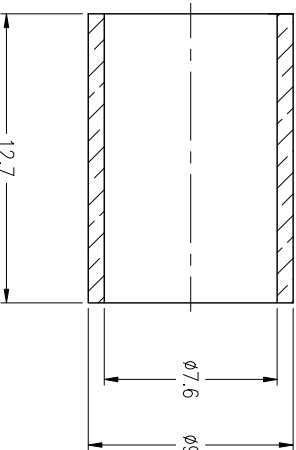


NOTES:

1. MATERIALS AND FINISHES:  
 BODY - BRASS, NICKEL PLATING  
 CONTACT - BRASS, GOLD PLATING  
 INSULATOR - DELRIN, NATURAL
2. ELECTRICAL:  
 A. IMPEDANCE: 75 OHM  
 B. FREQUENCY RANGE: DC TO 2 GHz  
 C. DIELECTRIC WITHSTANDING VOLTAGE: 1500 VRMS, MIN.
3. MECHANICAL:  
 A. DURABILITY: 500 CYCLES MIN.  
 B. TEMPERATURE RANGE: - 40°C to +85°C
4. CRIMPED FERRULE  
 HEX CRIMP SIZE .305"
5. HEX CRIMP SIZE  
 FOR CENTER CONTACT .068"
6. USE AMPHENOL CRIMP TOOL #CTL-2



RECOMMENDED  
CABLE STRIPPING DIM'S



THIRD ANGLE PROJ.

REVISIONS

REV	DESCRIPTION	DATE	ECO	APPR
A	RELEASE TO MFG.	03-May-91	38063	DR
F	SPRING WAS CHANGED	11-Jul-12	47987	TD

UNLESS OTHERWISE SPECIFIED, DIMENSIONS ARE IN METRIC AND TOLERANCES ARE:  
 <0.5mm 0.5 - 6mm 6 - 30mm 30 - 120mm ANGLES ±1°  
 ≥0.5mm ±0.1mm ±0.2mm ±0.3mm

NOTICE - These drawings, specifications, or other data (1) are, and remain the property of Amphenol Corp. (2) must be returned upon request, and (3) are confidential and not to be disclosed to any other person. Any use, reproduction or other data by Amphenol Corp. or to any other person to anyone for any purpose is not to be regarded by implication or otherwise in any manner licensing, granting rights or permitting such holder or any other person to manufacture, use or sell any product, process or design, patented or otherwise, that may in any way be related to or disclosed by said drawings, specifications, or other data.

MATERIAL

6 - 30mm ±0.3mm

REFERENCE

EAR 962370  
 EAR 967010-0  
 EAR 967127-0

DRAWN

T.DENG

DATE

11-Jul-12

ENGINEER

T.AUBIN

DATE

17-Jun-98

APPROVED

S.HSIEH

DATE

11-Jul-12

CAD FILE

E:\DWG\APL\CNPD\RF\31\71000\00-FSZ

TITLE

BNC CRIMP PLUG  
 FOR BELDEN 9248,  
 RG6 CABLE, 75 OHM

SCALE: 3/1

SHEET 2 OF 2

Amphenol RF

Danbury CT USA, Tainan Taiwan, Shenzhen China  
 www.amphenolrf.com

DRAWING NO. 31-71000-ND36-6U-75

ITEM NO. 011121ACM61ND7F

PART NO. 31-71000-RFX

**CUSTOMER OUTLINE DRAWING**  
 ALL OTHER SHEETS ARE FOR INTERNAL USE ONLY