

SPACE-GRADE HIPER-D BACKSHELLS

Solid Shell Low-Profile EMI Backshell, Elliptical Entry, Environmental



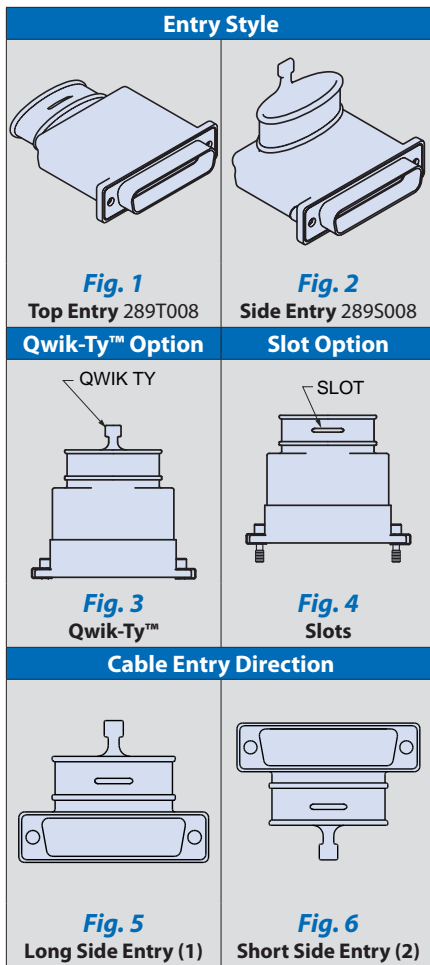
289T008 top entry, 289S008 side entry



289T008
289S008

FOR USE WITH GLENAIR SERIES 28 HIPER-D CONNECTORS

289-008 backshell provides watertight EMI protection for HiPer-D® connectors. Fits standard HiPer-D® pin and socket connectors (280-018P, 280-019S) and Combo HiPer-D® connectors (280-046P and 280-047S). Available with top entry or side entry. Terminate cable shield with optional Band-Master™ATS clamping band. Elliptical cable entry provides room for large wire bundles. Backshell consists of solid one piece housing, two stainless steel hex head jackscrews, two jackscrew retainer clips and silicone rubber sealing gasket. Aluminum or stainless steel. Use with Glenair Series 77 heat-shrink boot.



Ordering Information							
Sample Part Number	289S008	ME	6	A	-T	S	K 2
Basic Part Number	289T008 = Top Entry (Fig. 1) 289S008 = Side Entry (Fig. 2)						
Finish	ME = Electroless Nickel (RoHS) Z2 = Gold (RoHS)						
Shell Size	1 = Shell Size 1 2 = Shell Size 2 3 = Shell Size 3 4 = Shell Size 4 5 = Shell Size 5 6 = Shell Size 6						
Entry Size	A, B, C or D See Cable Entry Size Table Below						
Qwik-Ty™ Option	N = Supplied without Qwik-Ty™ T = With Qwik-Ty™ Strain Relief (Fig. 3)						
Slot Option	N = Supplied without Slots S = With Slots for Terminating Individual Shields (Fig. 4)						
EMI/RFI Band	N = Supplied without Band K = Supplied with Pre-Coiled Band (600-052-1)						
Cable Entry Direction	Omit for 289T008. Applies only to 289S008. 1 = Cable Entry on Long Side of Shell Keystone (Fig. 5) 2 = Cable Entry on Short Side of Shell Keystone (Fig. 6)						

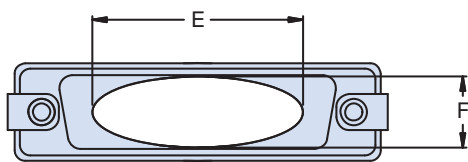
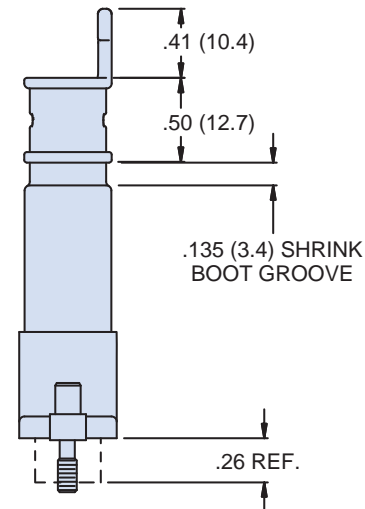
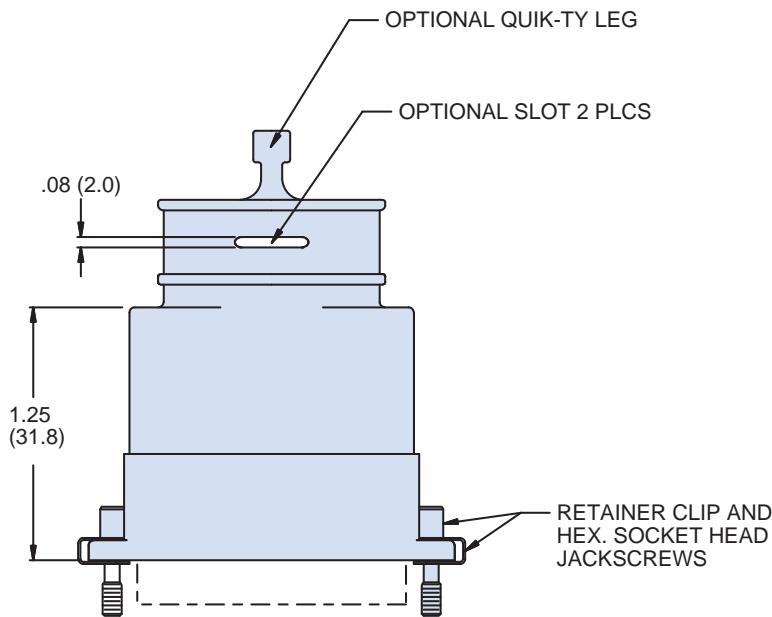
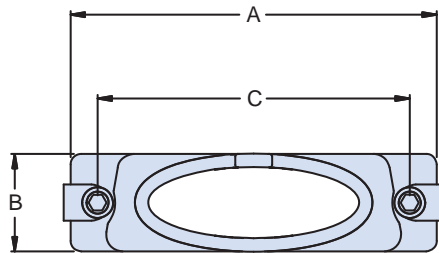
D-SUBMINIATURE

Shell Size	Cable Entry Size															
	Entry Size A				Entry Size B				Entry Size C				Entry Size D			
	E		F		E		F		E		F		E		F	
	In.	mm	In.	mm	In.	mm	In.	mm	In.	mm	In.	mm	In.	mm	In.	mm
1	.143	3.63	.143	3.63	.195	4.95	.195	4.95	.242	6.15	.242	6.15	.438	11.13	.375	9.53
2	.188	4.78	.188	4.78	.256	6.50	.256	6.50	.480	12.19	.375	9.53	.688	17.48	.375	9.53
3	.245	6.22	.245	6.22	.550	13.97	.375	9.53	.780	19.81	.375	9.53	1.125	28.58	.375	9.53
4	.291	7.39	.291	7.39	.800	20.32	.375	9.53	1.260	32.00	.375	9.53	1.813	46.05	.375	9.53
5	.326	8.28	.326	8.28	.770	19.56	.485	12.32	1.250	31.75	.485	12.32	1.750	44.45	.485	12.32
6	.376	9.55	.376	9.55	.863	21.92	.550	13.97	1.323	33.60	.550	13.97	1.875	47.63	.550	13.97

SPACE-GRADE HIPER-D BACKSHELLS
**Solid Shell Low-Profile EMI Backshell,
 Elliptical Entry, Environmental**
289T008 top entry dimensions



289T008 DIMENSIONS



Dimensions																						
Shell Size	A Max		B Max		C Basic		Entry Size A				Entry Size B				Entry Size C				Entry Size D			
							E		F		E		F		E		F		E		F	
	In.	mm	In.	mm	In.	mm	In.	mm	In.	mm	In.	mm	In.	mm	In.	mm	In.	mm	In.	mm	In.	mm
1	1.395	35.43	.624	15.85	.984	24.99	.143	3.63	.143	3.63	.195	4.95	.195	4.95	.242	6.15	.242	6.15	.438	11.13	.375	9.53
2	1.706	43.33	.624	15.85	1.312	33.32	.188	4.78	.188	4.78	.256	6.50	.256	6.50	.480	12.19	.375	9.53	.688	17.48	.375	9.53
3	2.265	57.53	.624	15.85	1.852	47.04	.245	6.22	.245	6.22	.550	13.97	.375	9.53	.780	19.81	.375	9.53	1.125	28.58	.375	9.53
4	2.900	73.66	.624	15.85	2.500	63.50	.291	7.39	.291	7.39	.800	20.32	.375	9.53	1.260	32.00	.375	9.53	1.813	46.05	.375	9.53
5	2.800	71.12	.750	19.05	2.406	61.11	.326	8.28	.326	8.28	.770	19.56	.485	12.32	1.250	31.75	.485	12.32	1.750	44.45	.485	12.32
6	2.900	73.66	.844	21.44	2.500	63.50	.376	9.55	.376	9.55	.863	21.92	.550	13.97	1.323	33.60	.550	13.97	1.875	47.63	.550	13.97

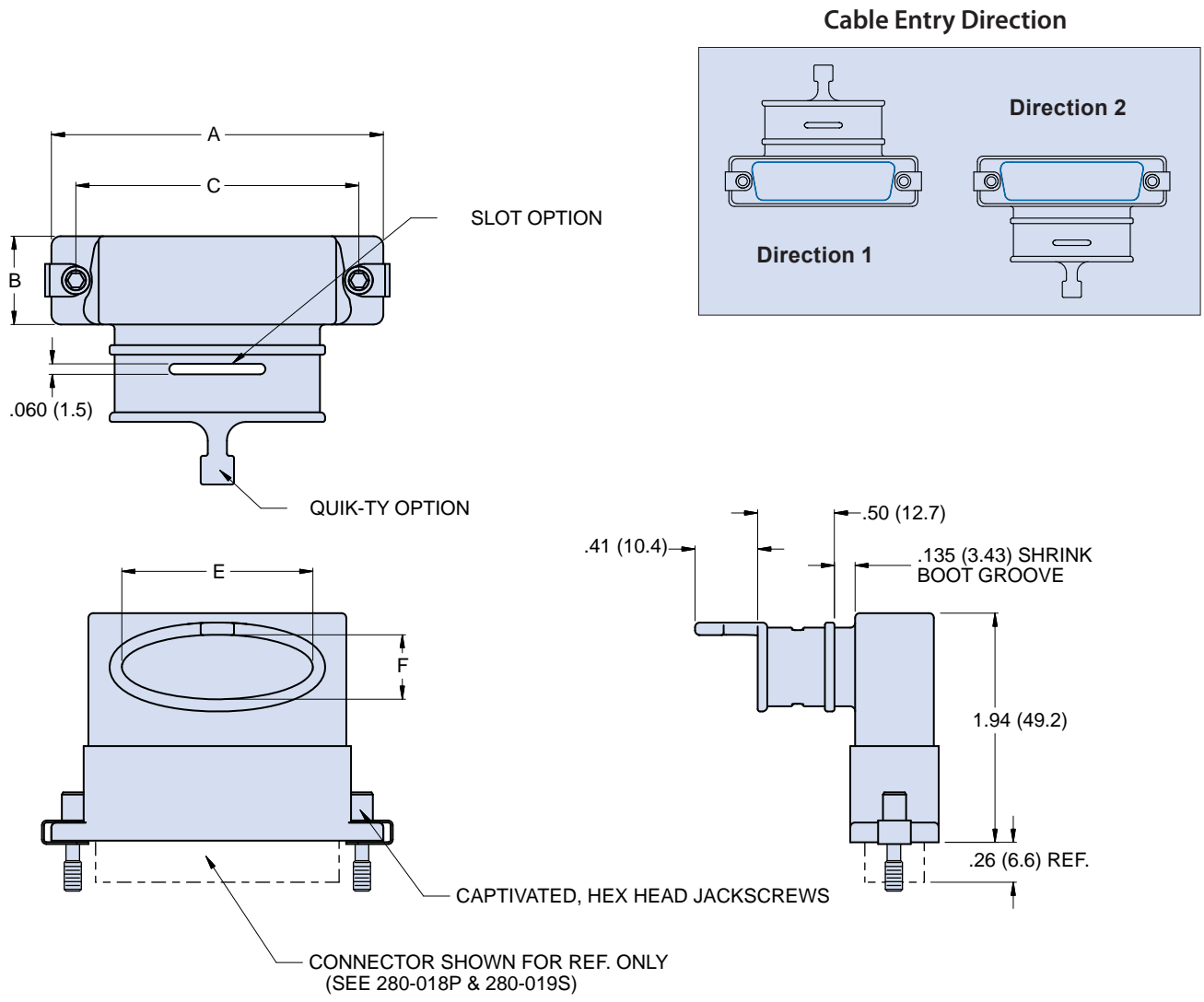
SPACE-GRADE HIPER-D BACKSHELLS

Solid Shell Low-Profile EMI Backshell, Elliptical Entry, Environmental

289S008 side entry dimensions



289S008 DIMENSIONS



D-SUBMINIATURE

Dimensions																						
Shell Size	A Max		B Max		C Basic		Entry Size A				Entry Size B				Entry Size C				Entry Size D			
							E		F		E		F		E		F		E		F	
	In.	mm	In.	mm	In.	mm	In.	mm	In.	mm	In.	mm	In.	mm	In.	mm	In.	mm	In.	mm	In.	mm
1	1.395	35.43	.624	15.85	.984	24.99	.143	3.63	.143	3.63	.195	4.95	.195	4.95	.242	6.15	.242	6.15	.438	11.13	.375	9.53
2	1.706	43.33	.624	15.85	1.312	33.32	.188	4.78	.188	4.78	.256	6.50	.256	6.50	.480	12.19	.375	9.53	.688	17.48	.375	9.53
3	2.265	57.53	.624	15.85	1.852	47.04	.245	6.22	.245	6.22	.550	13.97	.375	9.53	.780	19.81	.375	9.53	1.125	28.58	.375	9.53
4	2.900	73.66	.624	15.85	2.500	63.50	.291	7.39	.291	7.39	.800	20.32	.375	9.53	1.260	32.00	.375	9.53	1.813	46.05	.375	9.53
5	2.800	71.12	.750	19.05	2.406	61.11	.326	8.28	.326	8.28	.770	19.56	.485	12.32	1.250	31.75	.485	12.32	1.750	44.45	.485	12.32
6	2.900	73.66	.844	21.44	2.500	63.50	.376	9.55	.376	9.55	.863	21.92	.550	13.97	1.323	33.60	.550	13.97	1.875	47.63	.550	13.97