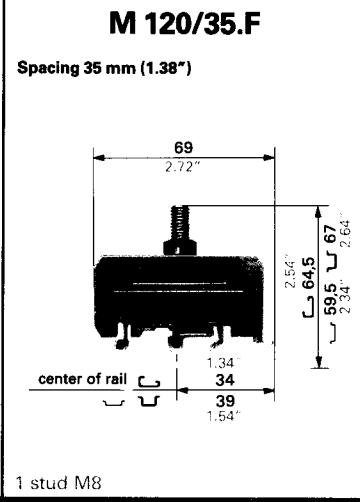
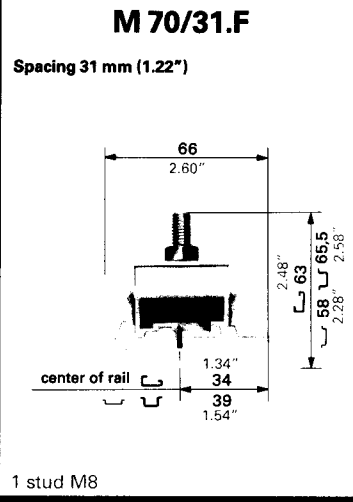
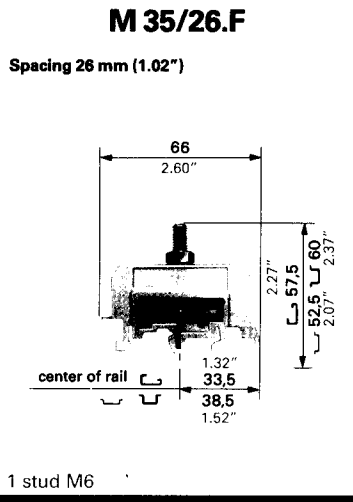
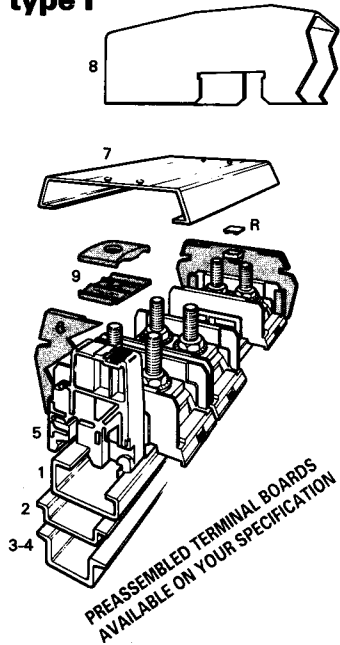


# Power terminal blocks type I



Type	Part number	Type	Part number	Type	Part number
Grey body <b>M 35/26.F</b>	<b>115 141.10</b>	Grey body <b>M 70/31.F</b>	<b>115 144.13</b>	Grey body <b>M 120/35.F</b>	<b>115 147.16</b>

Characteristics		DIN-VDE	UL	CSA	NFC-UTE	DIN-VDE	UL	CSA	NFC-UTE	DIN-VDE	UL	CSA	NFC-UTE
Wire size (see generalities)	Lug	6-35 mm <sup>2</sup>	14-2 AWG	4 AWG max	6-35 mm <sup>2</sup>	6-70 mm <sup>2</sup>	14-00 AWG	0 AWG max	6-70 mm <sup>2</sup>	6-95 mm <sup>2</sup>	14-250 MCM	000 AWG max	6-120 mm <sup>2</sup>
	Bar	16 x 4 mm .63" x .16"			20 x 5 mm .78" x .20"			25 x 5 mm 1" x .20"					
	Wire-clamp												
Rated voltage V	~ AC	1000-1200	600	600	750	1000-1200	600	600	750	1000-1200	600	600	750
	DC	1000-1200	600	600	1000	1000-1200	600	600	1000	1000-1200	600	600	1000
Rated current A		115	115	125	125	178	175	200	188	220	255	270	289
Rated wire size		25 mm <sup>2</sup>	2 AWG	4 AWG	25 mm <sup>2</sup>	50 mm <sup>2</sup>	00 AWG	0 AWG	50 mm <sup>2</sup>	70 mm <sup>2</sup>	250 MCM	000 AWG	95 mm <sup>2</sup>

Other characteristics		Lug				Lug				Lug				
Recommended wrench	H 10 mm					H 13 mm					H 13 mm			
	Recommended torque	4,5Nm 39lb.in				6Nm 52lb.in				6Nm 52lb.in				
Approvals (Contact Entelec)		UL	CSA	G.L.	UL	CSA	G.L.	UL	CSA	G.L.	UL	CSA	G.L.	

Accessories		Type	Part number	Type	Part number	Type	Part number
1	Rail 32x15	DIN 1	<b>PR1 Z2</b>	<b>PR1 Z2</b>	<b>163 050.04</b>	<b>PR1 Z2</b>	<b>163 050.04</b>
2	Rail 35x7,5x1	DIN 3	<b>PR30</b> prepunched	<b>PR30</b> prepunched	<b>173 220.05</b>	<b>PR30</b> prepunched	<b>173 220.05</b>
3	Rail 35x15x2,3	DIN 3	<b>PR4</b>	<b>PR4</b>	<b>168 500.12</b>	<b>PR4</b>	<b>168 500.12</b>
4	Rail 35x15x1,5		<b>PR5</b> prepunched	<b>PR5</b> prepunched	<b>101 598.26</b>	<b>PR5</b> prepunched	<b>101 598.26</b>
5	High end stop (all rails)		<b>BAMH</b> th. 9,1 mm	<b>BAMH</b> th. 9,1 mm	<b>114 836.00</b>	<b>BAMH</b> th. 9,1 mm	<b>114 836.00</b>
6	Partition for cover		<b>ECP26</b>	<b>ECP31</b>	<b>113 689.24</b>	<b>ECP35</b>	<b>113 691.16</b>
7	Protective cover (marked cut)		<b>CPP261</b> 1 block	<b>CPP311</b> 1 block	<b>168 202.13</b>	<b>CPP351</b> 1 block	<b>168 206.17</b>
			<b>CPP262</b> 2 blocks	<b>CPP312</b> 2 blocks	<b>168 201.12</b>	<b>CPP352</b> 2 blocks	<b>168 205.16</b>
			<b>CPP263</b> 3 blocks	<b>CPP313</b> 3 blocks	<b>163 403.20</b>	<b>CPP353</b> 3 blocks	<b>163 418.26</b>
8	Protective cover		<b>CPU26</b>	<b>CPU31</b>	<b>114 682.07</b>	<b>CPU35</b>	<b>116 514.07</b>
9	Double wire-clamp		<b>SFD16</b> (2x16 mm <sup>2</sup> )	<b>SFD25</b> (2x25 mm <sup>2</sup> )	<b>163 693.22</b>	<b>SCD251</b> (2x25 mm <sup>2</sup> )	<b>163 695.24</b>

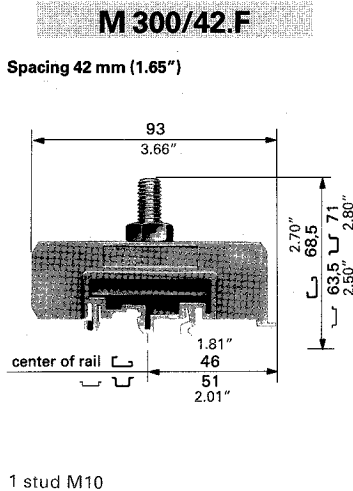
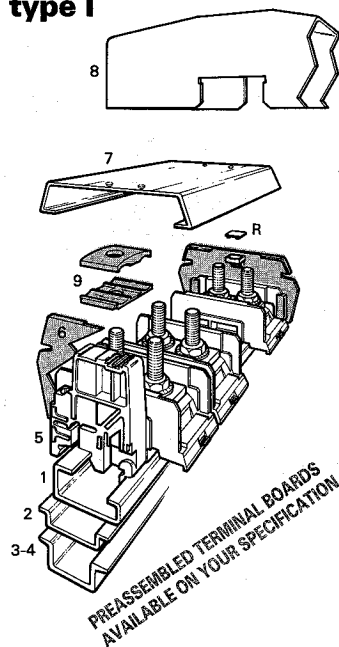
R See markers and other accessories

Ⓜ

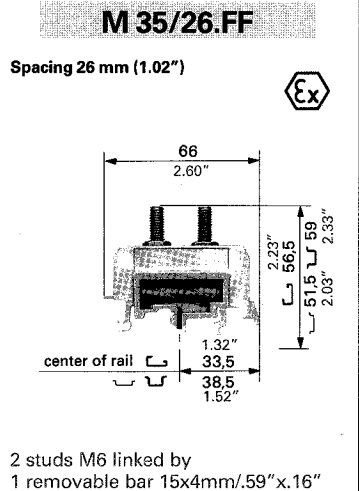
Ⓜ

Ⓜ

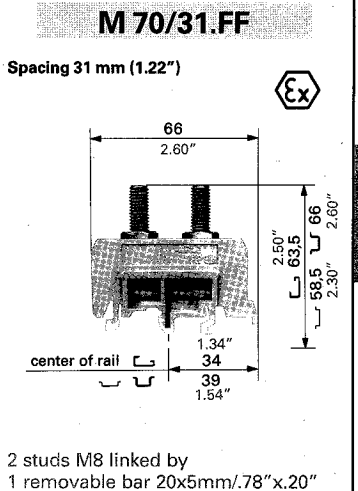
# Power terminal blocks type I



Type	Part number
Grey body	
<b>M 300/42.F</b>	<b>115 150.25</b>



Type	Part number
Grey body	
<b>M 35/26.FF</b>	<b>115 140.23</b>
<b>*M 35/26.FFI</b>	<b>115 276.27</b>
* Grey body, 2 studs, 1/4" x 28 UNF. Use with self-locking ESNA® nuts. Nuts not included. Not CSA certified.	



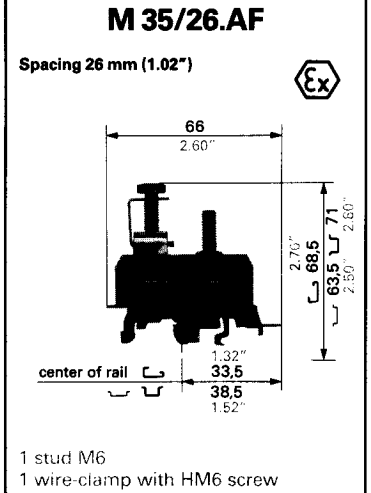
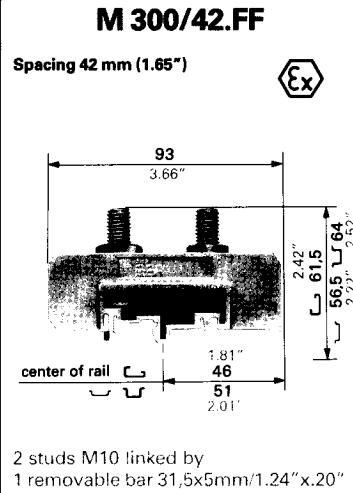
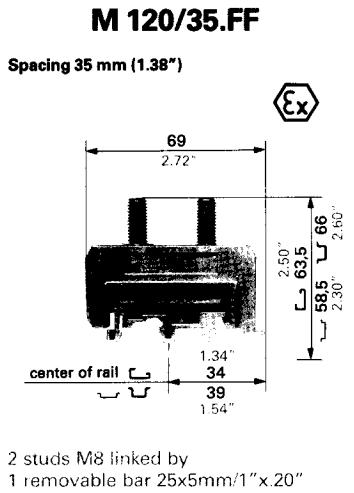
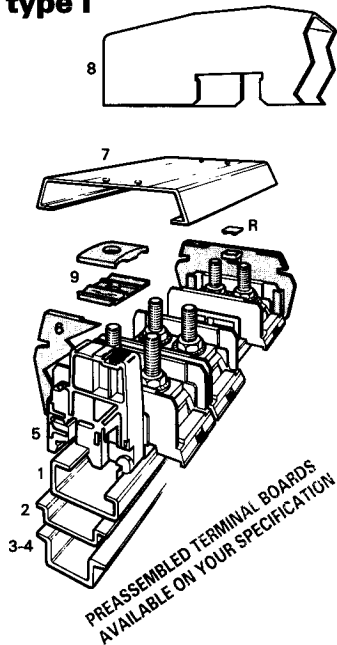
Type	Part number
Grey body	
<b>M 70/31.FF</b>	<b>115 143.12</b>
<b>*M70/31.FFI</b>	<b>115 298.26</b>
* Grey body, 2 studs, 5/16" x 28 UNF. Use with self-locking ESNA® nuts. Nuts not included. Not CSA certified.	

Characteristics		DIN-VDE	UL	CSA	NFC-UTE	DIN-VDE	UL	CSA	NFC-UTE	DIN-VDE	UL	CSA	NFC-UTE
Wire size (see generalities)	Lug	6-150 mm <sup>2</sup>	14-500 MCM	500 MCM max	6-300 mm <sup>2</sup>	6-35 mm <sup>2</sup>	14-2 AWG	4 AWG max	6-35 mm <sup>2</sup>	6-70 mm <sup>2</sup>	14-00 AWG	0 AWG max	6-70 mm <sup>2</sup>
	Bar	32 x 8 mm		1.26" x .32"		16 x 4 mm		.63" x .16"		20 x 5 mm			.78" x .20"
	Wire-clamp												
Rated voltage V	~ = Without partition	1000-1200	600	600	1000	1000-1200	600	600	750	1000-1200	600	600	750
	AC DC With partition	1000-1200	600	600	1000	1000-1200	600	600	1000	1000-1200	600	600	1000
Rated current A		265	380	550	516	115	115	125	125	178	175	200	188
Rated wire size		95 mm <sup>2</sup>	500 MCM	600 MCM	240 mm <sup>2</sup>	25 mm <sup>2</sup>	2 AWG	4 AWG	25 mm <sup>2</sup>	50 mm <sup>2</sup>	00 AWG	0 AWG	50 mm <sup>2</sup>
Other characteristics		Lug											
Recommended wrench		H 17 mm				H 10 mm				H 13 mm			
Recommended torque		10Nm 87lb.in				4,5Nm 39lb.in				6Nm 52lb.in			
Approvals (Contact Entelec)		UL, CE, G.L.				UL, CE, G.L.				UL, CE, G.L.			

Accessories		Type	Part number	Type	Part number	Type	Part number	
1	Rail 32x15	DIN 1	<b>PR1 Z2</b>	<b>163 050.04</b>	<b>PR1 Z2</b>	<b>163 050.04</b>	<b>PR1 Z2</b>	<b>163 050.04</b>
2	Rail 35x7,5x1	DIN 3	<b>PR30</b> prepunched	<b>173 220.05</b>	<b>PR30</b> prepunched	<b>173 220.05</b>	<b>PR30</b> prepunched	<b>173 220.05</b>
3	Rail 35x15x2,3	DIN 3	<b>PR4</b>	<b>168 500.12</b>	<b>PR4</b>	<b>168 500.12</b>	<b>PR4</b>	<b>168 500.12</b>
4	Rail 35x15x1,5		<b>PR5</b> prepunched	<b>101 598.26</b>	<b>PR5</b> prepunched	<b>101 598.26</b>	<b>PR5</b> prepunched	<b>101 598.26</b>
5	High end stop (all rails)		<b>BAMH</b> th. 9,1 mm	<b>114 836.00</b>	<b>BAMH</b> th. 9,1 mm	<b>114 836.00</b>	<b>BAMH</b> th. 9,1 mm	<b>114 836.00</b>
6	Partition for cover		<b>ECP42</b>	<b>113 692.17</b>	<b>ECP26</b>	<b>113 689.24</b>	<b>ECP31</b>	<b>113 690.21</b>
7	Protective cover (marked cut)		<b>CPP421</b> 1 block	<b>168 208.21</b>	<b>CPP261</b> 1 block	<b>168 202.13</b>	<b>CPP311</b> 1 block	<b>168 204.15</b>
			<b>CPP422</b> 2 blocks	<b>168 207.10</b>	<b>CPP262</b> 2 blocks	<b>168 201.12</b>	<b>CPP312</b> 2 blocks	<b>168 203.14</b>
			<b>CPP423</b> 3 blocks	<b>163 424.14</b>	<b>CPP263</b> 3 blocks	<b>163 403.20</b>	<b>CPP313</b> 3 blocks	<b>163 409.06</b>
8	Protective cover		<b>CPU42</b>	<b>116 515.00</b>	<b>CPU26</b>	<b>114 882.07</b>	<b>CPU31</b>	<b>114 996.01</b>
9	Double wire-clamp				<b>SFD16</b> (2x16mm <sup>2</sup> )	<b>163 693.22</b>	<b>SFD25</b> (2x25 mm <sup>2</sup> )	<b>163 694.23</b>

R See markers and other accessories Marking method 15

# Power terminal blocks type I



Type	Part number
Grey body	
<b>M 120/35.FF</b>	<b>115 146.15</b>
<b>*M 120/35.FFI</b>	<b>115 299.27</b>
* Grey body, 2 studs, 5/16" x 28 UNC. Use with self-locking ESNA® nuts. Nuts not included. Not CSA certified.	

Type	Part number
Grey body	
<b>M 300/42.FF</b>	<b>115 149.20</b>

Type	Part number
Grey body	
<b>M 35/26.AF</b>	<b>115 139.16</b>

## Characteristics

	Lug	DIN-VDE	UL	CSA	NFC-UTE	DIN-VDE	UL	CSA	NFC-UTE	DIN-VDE	UL	CSA	NFC-UTE
		Wire size (see generalities)	6-95 mm <sup>2</sup>	14-250 MCM	000 AWGmax.	6-120 mm <sup>2</sup>	6-150 mm <sup>2</sup>	14-500 MCM	500 MCMmax.	6-300 mm <sup>2</sup>	6-35 mm <sup>2</sup>	10-2 AWG	4 AWG max.
	Bar	25 x 5 mm		1" x .20"	32 x 8 mm		1.26" x .32"	16 x 4 mm		.63" x .16"			
	Wire-clamp								6-35 mm <sup>2</sup>	14-2 AWG	4 AWG max.	6-35 mm <sup>2</sup>	
Rated voltage V	AC	1000-1200	600	600	750	1000-1200	600	600	1000	1000-1200	600	600	750
	DC	1000-1200	600	600	1000	1000-1200	600	600	1000	1000-1200	600	600	1000
Rated current A		220	255	310	289	265	360	550	516	115	115	125	125
Rated wire size		70 mm <sup>2</sup>	250 MCM	000 AWG	95 mm <sup>2</sup>	95 mm <sup>2</sup>	500 MCM	500 MCM	240 mm <sup>2</sup>	25 mm <sup>2</sup>	2 AWG	4 AWG	25 mm <sup>2</sup>

## Other characteristics

	Lug	Lug	Lug	Wire-clamp	Wire stripping length
Recommended torque	6Nm 52lb.in	10Nm 87lb.in	4,5Nm 39lb.in	4,5Nm 39lb.in	.75"

## Approvals (Contact Entelec)

UL	CSA	G.I.	UL	CSA	G.I.	UL	CSA	G.I.
----	-----	------	----	-----	------	----	-----	------

## Accessories

	Type	Part number	Type	Part number	Type	Part number
1 Rail 32x15	DIN 1	<b>PR1 Z2</b>	<b>PR1 Z2</b>	<b>163 050.04</b>	<b>PR1 Z2</b>	<b>163 050.04</b>
2 Rail 35x7,5x1	DIN 3	<b>PR30</b> prepunched	<b>PR30</b> prepunched	<b>173 220.05</b>	<b>PR30</b> prepunched	<b>173 220.05</b>
3 Rail 35x15x2,3	DIN 3	<b>PR4</b>	<b>PR4</b>	<b>168 500.12</b>	<b>PR4</b>	<b>168 500.12</b>
4 Rail 35x15x1,5		<b>PR5</b> prepunched	<b>PR5</b> prepunched	<b>101 598.26</b>	<b>PR5</b> prepunched	<b>101 598.26</b>
5 High end stop (all rails)		<b>BAMH</b> th. 9,1 mm	<b>BAMH</b> th. 9,1 mm	<b>114 836.00</b>	<b>BAMH</b> th. 9,1 mm	<b>114 836.00</b>
6 Partition for cover		<b>ECP35</b>	<b>ECP42</b>	<b>113 691.16</b>	<b>ECP26</b>	<b>113 689.24</b>
7 Protective cover (marked cut)		<b>CPP351</b> 1 block	<b>CPP421</b> 1 block	<b>168 206.17</b>	<b>CPP261</b> 1 block	<b>168 202.13</b>
		<b>CPP352</b> 2 blocks	<b>CPP422</b> 2 blocks	<b>168 205.16</b>	<b>CPP262</b> 2 blocks	<b>168 201.12</b>
		<b>CPP353</b> 3 blocks	<b>CPP423</b> 3 blocks	<b>163 418.26</b>	<b>CPP263</b> 3 blocks	<b>163 403.20</b>
8 Protective cover		<b>CPU35</b>	<b>CPU42</b>	<b>116 514.07</b>	<b>CPU26</b>	<b>114 882.07</b>
9 Double wire-clamp		<b>SFD251</b> (2x25 mm <sup>2</sup> )		<b>163 695.24</b>	<b>SFD16</b> (2x16 mm <sup>2</sup> )	<b>163 693.22</b>

R See markers and other accessories Marking method

Ⓜ

Ⓜ

Ⓜ