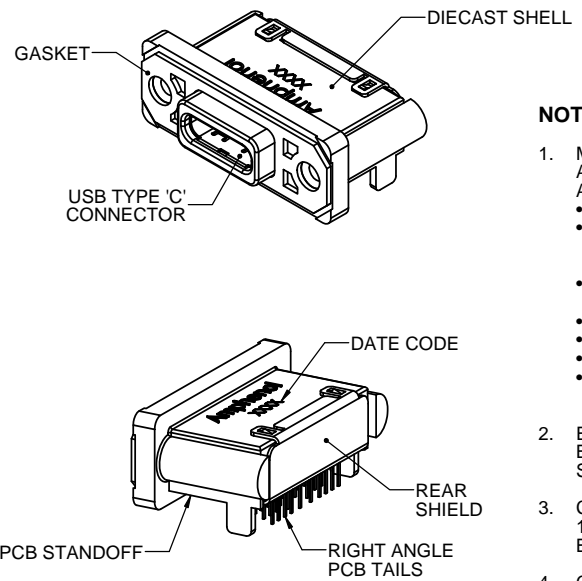
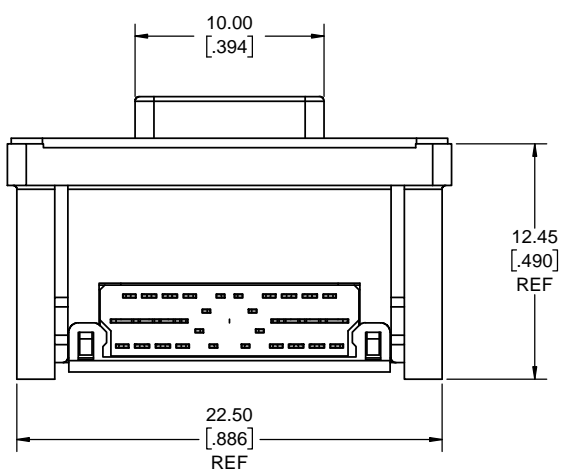
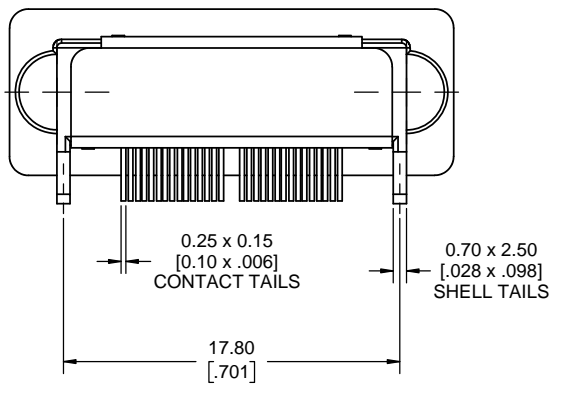
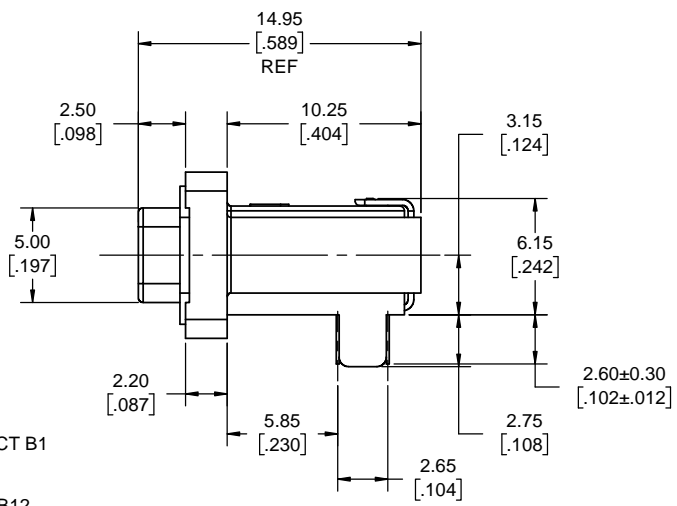
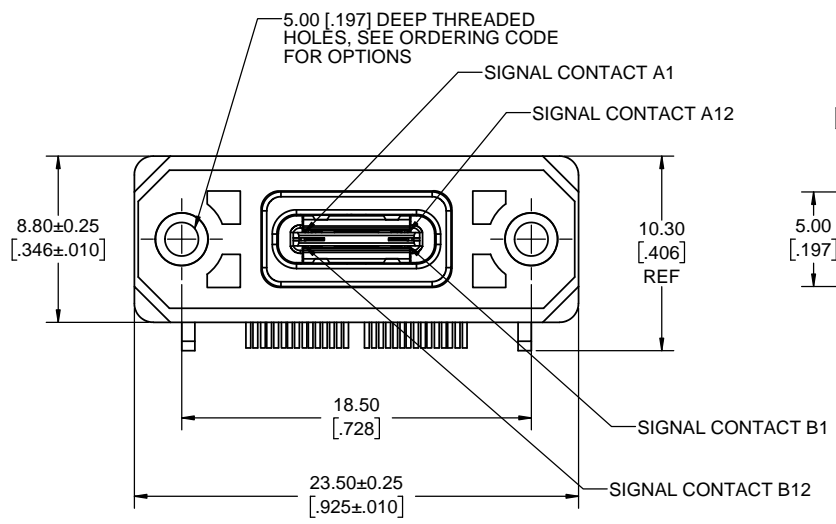


REVISIONS			
REV	DESCRIPTION, ECN, EAR NO.	DATE	APP'D
E	PRODUCT DRAWING EAR 14716	FEB21/19	K.L.
F	PRODUCT DRAWING EAR 14747	JUL31/19	K.L.



NOTES:

- MATERIAL:**
ALL MATERIALS ARE RoHS COMPLIANT PER EU DIRECTIVE 2011/65/EU AND AMENDMENTS
 - OUTER SHELL: DIECAST ZINC ALLOY, MATTE TIN OVER NICKEL PLATING
 - CONTACTS: COPPER ALLOY, PLATED WITH 0.76µm [30µ"] MINIMUM GOLD OVER 1.27µm [50µ"] MINIMUM NICKEL ON THE MATING AREA WITH MATTE TIN OVER NICKEL ON THE TAILS
 - USB HOUSING: ENGINEERING THERMOPLASTIC, HIGH TEMPERATURE RESISTANT, FLAMMABILITY RATING UL94V-0, BLACK
 - USB SHIELD: STAINLESS STEEL, PASSIVATED
 - REAR COVER: STAINLESS STEEL, PASSIVATED.
 - GASKET: CONDUCTIVE SILICONE RUBBER, BLACK
 - DUST COVER - SILICONE RUBBER WITH NICKEL PLATED BRASS BUSHING. SEE ORDERING CODE FOR COLOUR OPTION.
- ENVIRONMENTAL PERFORMANCE** PER IEC 60529 CODE IP67 FOR SEAL BETWEEN MATING AREA AND PCB SIDE OF CONNECTOR. GASKET PROVIDES SEAL TO INSIDE FACE OF ENCLOSURE PANEL.
- CURRENT RATING:** COLLECTIVELY 5A MAX. FOR PINS A4, A9, B4, & B9 PLUS 1.25A MAX. FOR PIN B5 WITH RETURN PATH SHARED THROUGH PINS A1, A12, B1 & B12. ADDITIONAL POSITIONS 0.25A MAX. EACH.
- CONTACT RESISTANCE:** 40 MILLIOHMS MAXIMUM INITIAL.
- OPERATING TEMPERATURE:** -40°C TO +105°C.
- DUST COVERS MAY BE ORDERED SEPARATELY.** SPECIFY
 - PART NUMBER MUSBR-2M5C-004BP FOR GREY COVER OR
 - PART NUMBER MUSBR-2M5C-014BP FOR BLACK COVER
 FOR HEAVY DUTY DUST COVERS, REFER TO DRAWING P-MUSBR-2M5C-6X3BP.

ORDERING CODE: MUSBR-M1C1-XX

SERIES, RUGGED USB

USB TYPE 'C' RECEPTACLE, SINGLE PORT, RIGHT ANGLE PCB TAILS, 24 CONTACTS

MOUNTING HOLE THREAD OPTION:
3 = #2-56 UNC THREAD
M = M2.5 X 0.45 THREAD

DUST COVER OPTION
0 = NO DUST COVER SUPPLIED
1 = WITH GREY DUST COVER SUPPLIED
5 = WITH BLACK DUST COVER SUPPLIED
SEE SHEET 2 FOR DUST COVER VIEWS



UNLESS SPECIFIED OTHERWISE	DRAWN	M.PAHULJE	MAY7/15
PRIMARY UNITS MILLIMETERS	CHECKED	K.LAMBIE	MAY14/15
SECONDARY UNITS INCHES	M.E.	APP'D	
REFERENCE IN PARENTHESES	Q.A.	APP'D	
GENERAL TOLERANCES	DWG APPR.		
1 DECIMAL PLACE	ENG. REL. NO.	EAR 14368	
2 DECIMAL PLACES ±0.15	REF.		
3 DECIMAL PLACES ±0.05	THIRD ANGLE PROJECTION		
ANGULAR DEGREES	DO NOT SCALE DRAWING		

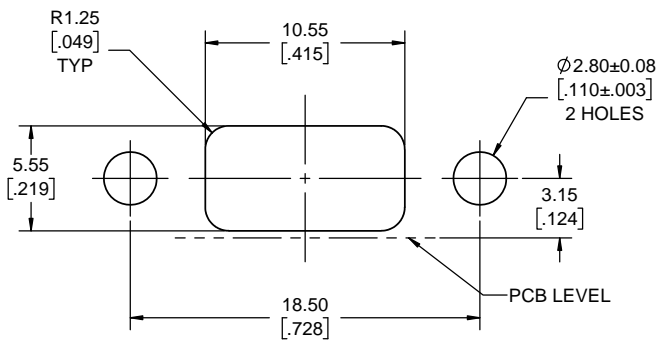
Amphenol Canada Corp.
Commercial Products

RUGGED USB TYPE 'C' RECEPTACLE, RIGHT ANGLE, PCB MOUNT, RoHS COMPLIANT

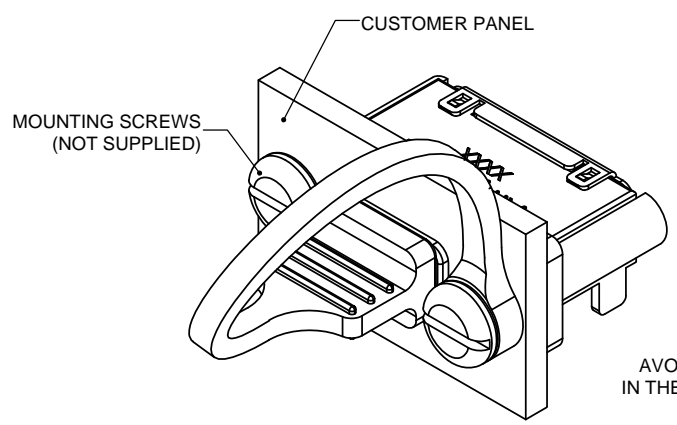
DWG. NO. **P-MUSBR-M1C1-XX** REV **F**

CODE ID NO. 03554 DWG SIZE: X SCALE: 5:1 SHEET 1 OF 2

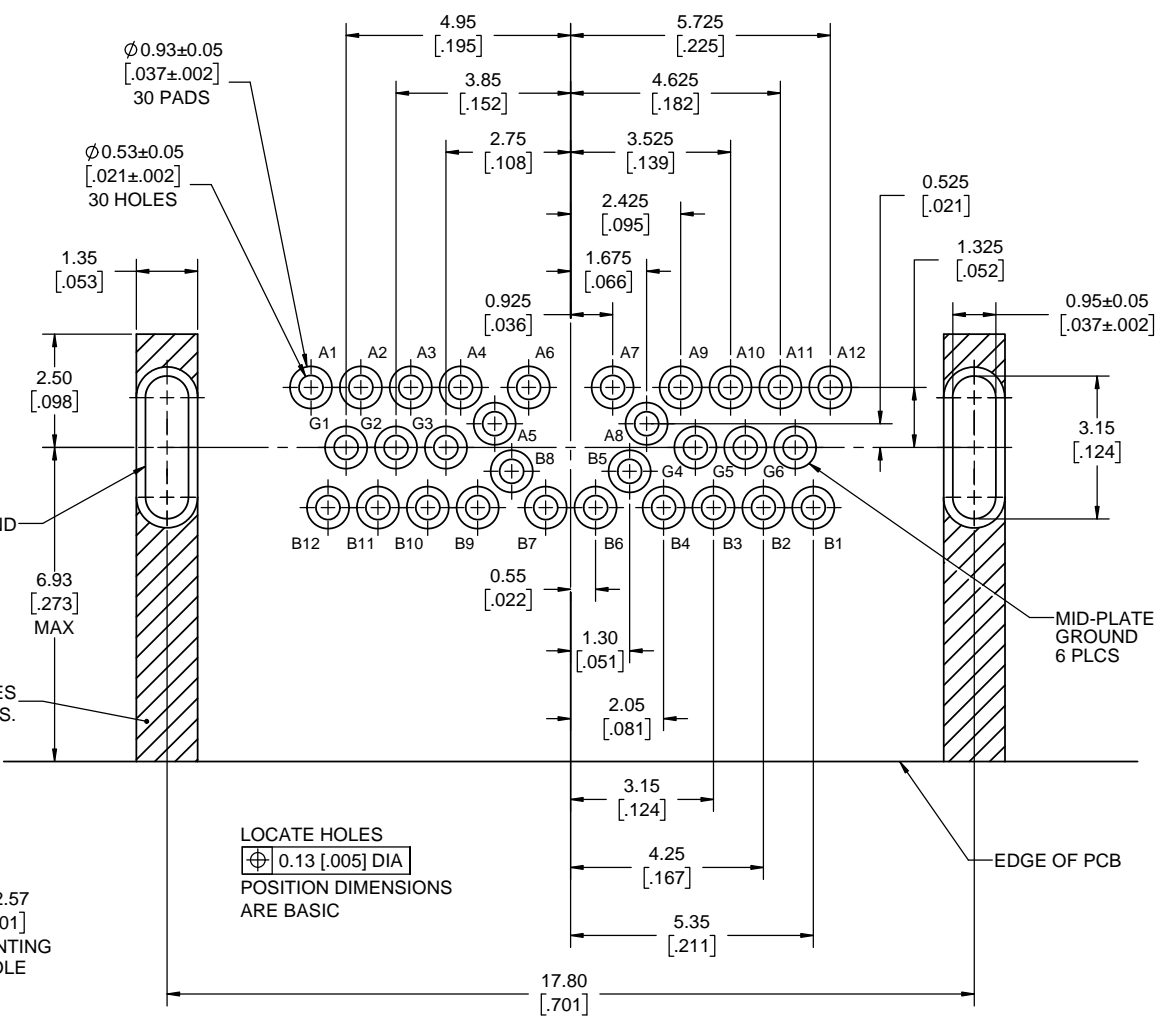
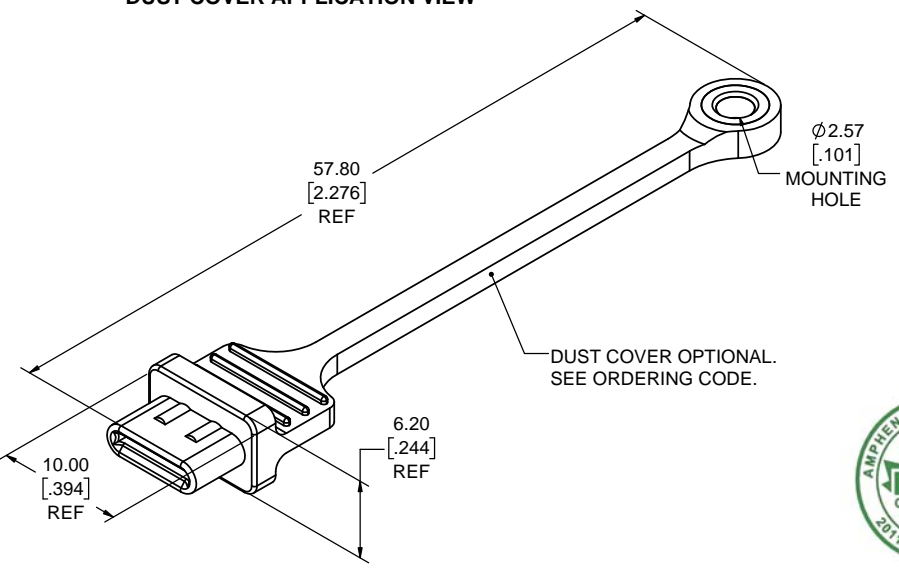
REVISIONS			
REV	DESCRIPTION, ECN, EAR NO.	DATE	APP'D
E	PRODUCT DRAWING EAR 14716	FEB21/19	K.L.
F	PRODUCT DRAWING EAR 14747	JUL31/19	K.L.



**RECOMMENDED PANEL CUTOUT
OUTSIDE VIEW OF PANEL**



DUST COVER APPLICATION VIEW



**RECOMMENDED PCB LAYOUT
COMPONENT SIDE OF BOARD**



UNLESS SPECIFIED OTHERWISE	DRAWN	M.PAHULJE	MAY7/15
PRIMARY UNITS MILLIMETERS	CHECKED	K.LAMBIE	MAY14/15
SECONDARY INCHES	M.E. APP'D		
REFERENCE IN PARENTHESES	Q.A. APP'D		
GENERAL TOLERANCES	DWG APPR.		
1 DECIMAL PLACE	ENG. REL. NO.	EAR 14368	
2 DECIMAL PLACES ± 0.15	REF.		
3 DECIMAL PLACES ± 0.05	THIRD ANGLE PROJECTION		
ANGULAR DEGREES	DO NOT SCALE DRAWING		

Amphenol Canada Corp.
Commercial Products

RUGGED USB TYPE 'C' RECEPTACLE, RIGHT ANGLE, PCB MOUNT, RoHS COMPLIANT

DWG. NO. **P-MUSBR-M1C1-XX** REV **F**

CODE ID NO. 03554 DWG SIZE: X SCALE: 5:1 SHEET 2 OF 2