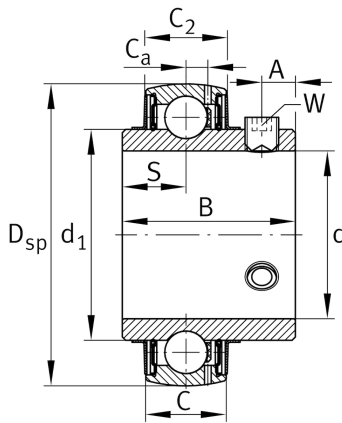


**FAG****UC211**

Radial insert ball bearing

Schaeffler ID:  
0693768160000Radial insert ball bearings UC, spherical  
outer ring, location by grub screws, RSR  
seals on both sides

## Technical information

**Main Dimensions & Performance Data**

|                 |          |                                   |
|-----------------|----------|-----------------------------------|
| d               | 55 mm    | Bore diameter                     |
| D <sub>SP</sub> | 100 mm   | Outside diameter                  |
| B               | 55,6 mm  | Width                             |
| C <sub>r</sub>  | 43.500 N | Basic dynamic load rating, radial |
| C <sub>0r</sub> | 29.000 N | Basic static load rating, radial  |
| C <sub>ur</sub> | 1.240 N  | Fatigue load limit, radial        |
|                 | 1,1 kg   | Weight                            |

**Dimensions**

|                |          |                              |
|----------------|----------|------------------------------|
| C              | 25 mm    | Width, outer ring            |
| C <sub>2</sub> | 25,6 mm  | Sealing total width          |
| S              | 22,2 mm  | Distance raceway             |
| d <sub>1</sub> | 69,77 mm | Rib diameter inner ring      |
| C <sub>a</sub> | 7 mm     | Distance to lubrication hole |
| A              | 10 mm    | Distance thread              |
| W              | 5 mm     | Width of flats               |

**Calculation factors**

|                |      |                    |
|----------------|------|--------------------|
| f <sub>0</sub> | 14,2 | Calculation factor |
|----------------|------|--------------------|