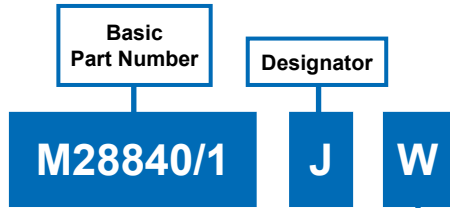


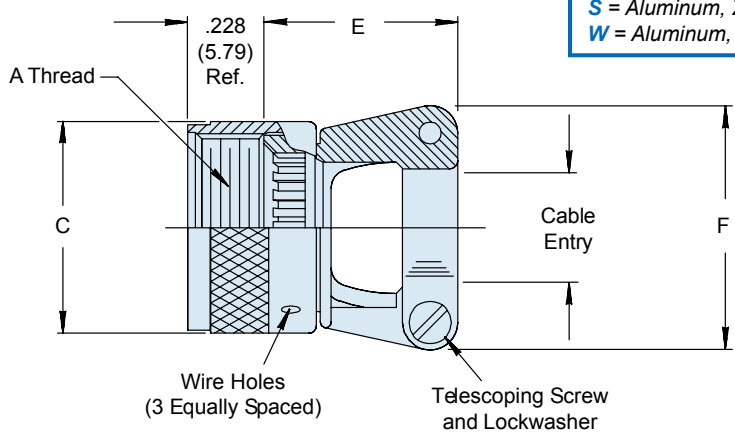
# MIL-DTL-28840/1 Straight Non-Self-Locking Strain Relief



CONNECTOR DESIGNATOR:	
<b>G</b>	MIL-DTL-28840



**Material and Finish**  
*D = Corrosion Resistant Steel, Cadmium Plate, Black*  
*F = Aluminum, Pure Dense Electrodeposited Aluminum*  
*L = Stainless Steel, Nickel Fluorocarbon Polymer*  
*S = Aluminum, Zinc Nickel*  
*W = Aluminum, Cadmium Olive Drab*



**TABLE I: Shell Size, Cable Entry and Backshell Dimensions**

Designator	Shell Size Ref.	A Thread Class 2B	C Max		E Max		F Max		Cable Entry			
									Closed		Open	
<b>A</b>	<b>11</b>	.750 - 20 UNEF	1.028	(26.1)	1.091	(27.7)	.903	(22.9)	.177	(4.5)	.286	(7.3)
<b>B</b>	<b>13</b>	.875 - 20 UNEF	1.141	(29.0)	1.091	(27.7)	.977	(24.8)	.177	(4.5)	.286	(7.3)
<b>C</b>	<b>15</b>	1.000 - 20 UNEF	1.263	(32.1)	1.091	(27.7)	1.151	(29.2)	.250	(6.4)	.416	(10.6)
<b>D</b>	<b>17</b>	1.125 - 18 UNEF	1.387	(35.2)	1.206	(30.6)	1.281	(32.5)	.291	(7.4)	.476	(12.1)
<b>E</b>	<b>19</b>	1.250 - 18 UNEF	1.513	(38.4)	1.320	(33.5)	1.406	(35.7)	.348	(8.8)	.626	(15.9)
<b>F</b>	<b>23</b>	1.438 - 18 UNEF	1.703	(43.3)	1.445	(36.7)	1.576	(40.0)	.429	(10.9)	.831	(21.1)
<b>G</b>	<b>25</b>	1.562 - 18 UNEF	1.825	(46.4)	1.570	(39.9)	1.666	(42.3)	.523	(13.3)	.956	(24.3)
<b>H</b>	<b>29</b>	1.875 - 16 UN	2.143	(54.4)	1.721	(43.7)	2.046	(52.0)	.643	(16.3)	1.081	(27.5)
<b>J</b>	<b>33</b>	2.062 - 16 UNS	2.329	(59.2)	1.908	(48.5)	2.209	(56.1)	.704	(17.9)	1.187	(30.1)

**APPLICATION NOTES**

1. Assembly to be identified with manufacturer's name and part number, space permitting.
2. Cable Entry is defined as the accommodation entry for the wire bundle or cable. Dimensions are not intended for inspection criteria.
3. For complete dimensions, see the applicable Military Specification.
4. Metric dimensions (mm) are in parentheses.

# Mouser Electronics

Authorized Distributor

Click to View Pricing, Inventory, Delivery & Lifecycle Information:

[Glenair:](#)

[M28840/1FW](#)