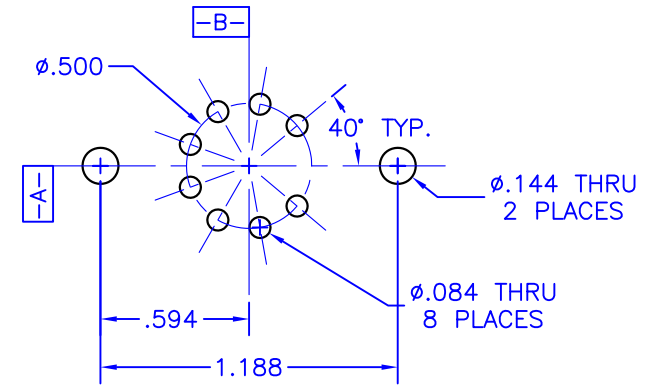
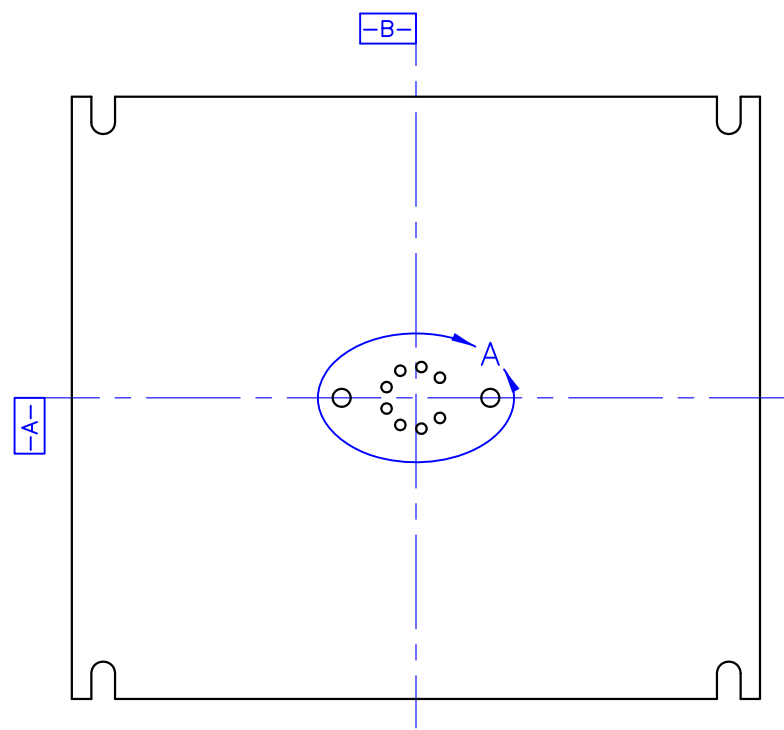
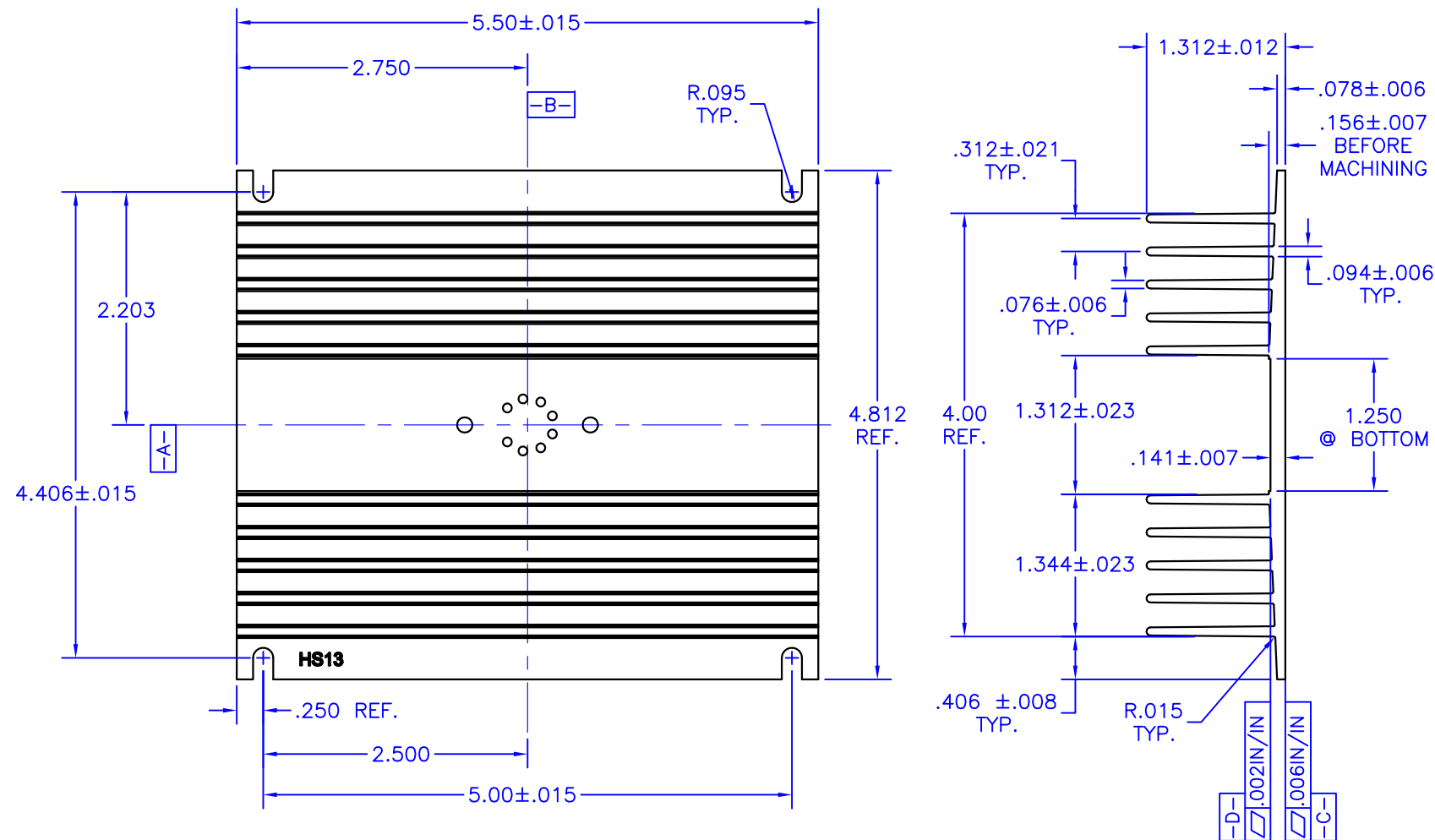


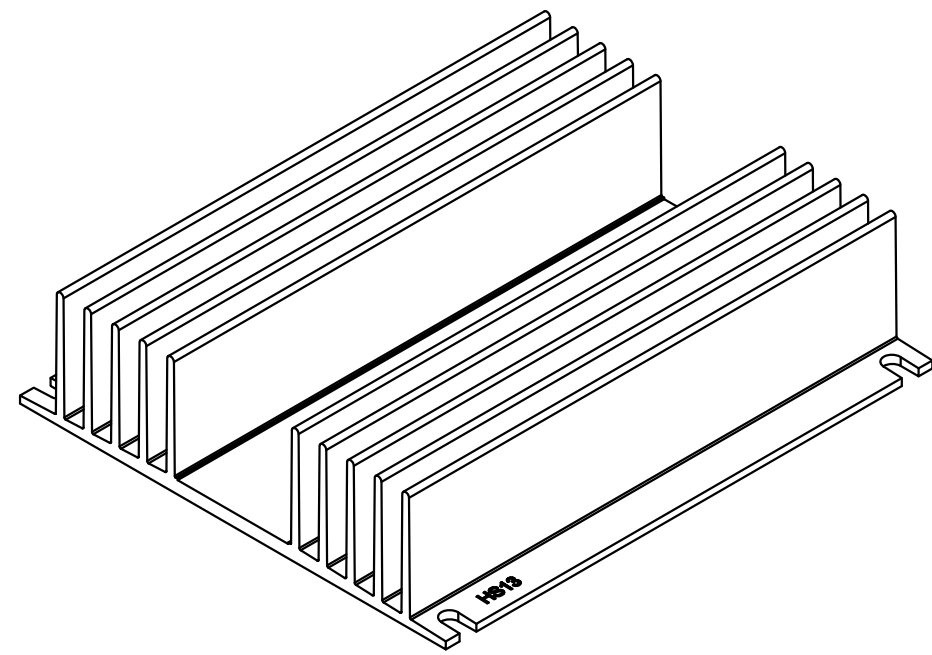
8 7 6 5 4 3 2 1

E
D
C
B
A

E
D
C
B
A



DETAIL A
SCALE: 2X



P1 HEATSINK
 MAT'L: 6063-T5 ALUMINUM (AAVID EXTRUSION #60840)
 FINISH: ANODIZE PER MIL-A-8625, TYPE II, CL 2, BLACK
 TYPICAL BREAKDOWN VOLTAGE > 300V

- NOTES:**
1. UNLESS OTHERWISE NOTED, ALL DIMENSIONS ARE IN INCHES.
 2. BREAK ALL SHARP EDGES, DE-BURR & REMOVE LOOSE CHIPS.
 3. MARK WITH CONTRASTING INK AS SHOWN, IF SPECIFIED BY PURCHASE ORDER.
 4. THERMAL RATING: 1.48 °C/W
 5. APPROXIMATE WEIGHT: 13.7 oz [388g]

TOLERANCES - UNLESS OTHERWISE SPECIFIED		TITLE: TO-3 HEATSINK				MODEL: HS13	
.XX = ±.01 [.254]		SUBJECT: MECHANICAL DRAWING				FILENAME: HS13	
.XXX = ±.005 [.127]		ENGINEER: D-M	DRAWN BY: R.MOR	DCAL: 13497	SIL: 1	OF: 1	REV: J
ANG. = ±5°		APEX MICROTECHNOLOGY		DATE: 01JAN14			

8 7 6 5 4 3 2 1

Mouser Electronics

Authorized Distributor

Click to View Pricing, Inventory, Delivery & Lifecycle Information:

[Apex Microtechnology:](#)

[HS13](#)