

FAG

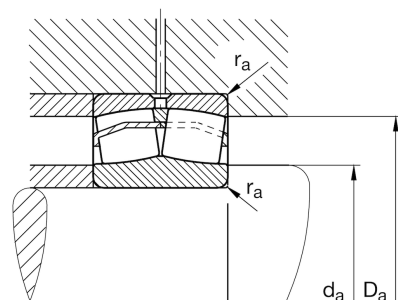
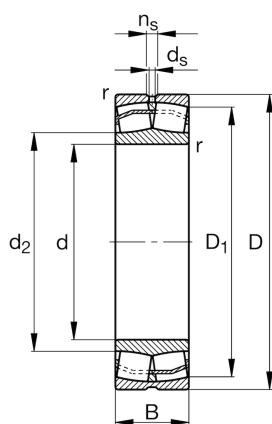
22316-E1-XL

Spherical roller bearing

Schaeffler ID:
0167055990000Spherical roller bearings 223...-E1, main
dimensions to DIN 635-2

X-life

Technical information

**Main Dimensions & Performance Data**

d	80 mm	Bore diameter
D	170 mm	Outside diameter
B	58 mm	Width
C _r	495,000 N	Basic dynamic load rating, radial
C _{0r}	510,000 N	Basic static load rating, radial
C _{ur}	46,500 N	Fatigue load limit, radial
n _G	4,250 1/min	Limiting speed
n _{gr}	3,400 1/min	Reference speed
	6.265 kg	Weight

Mounting dimensions

d _{a min}	92 mm	Minimum diameter shaft shoulder
D _{a max}	158 mm	Maximum diameter of housing shoulder
r _{a max}	2.1 mm	Maximum recess radius

Dimensions

r _{min}	2.1 mm	Minimum chamfer dimension
D ₁	145.1 mm	Bore diameter outer ring
d ₂	98.3 mm	Raceway diameter of the inner ring
d _s	4.8 mm	Diameter lubrication hole
n _s	9.5 mm	Width of lubricating groove

Temperature range

T _{min}	-30 °C	Operating temperature min.
T _{max}	200 °C	Operating temperature max.

Calculation factors

e	0.34	Limiting value of Fa/Fr for the applicability of diff. Values of factors X and Y
Y ₁	1.99	Dynamic axial load factor
Y ₂	2.96	Dynamic axial load factor
Y ₀	1.94	Static axial load factor