

INSTRUCTION MANUAL



SECURITY ADVICE SYMBOLS



Attention, Danger, Safety Advice!



Danger from electric current or high voltage!



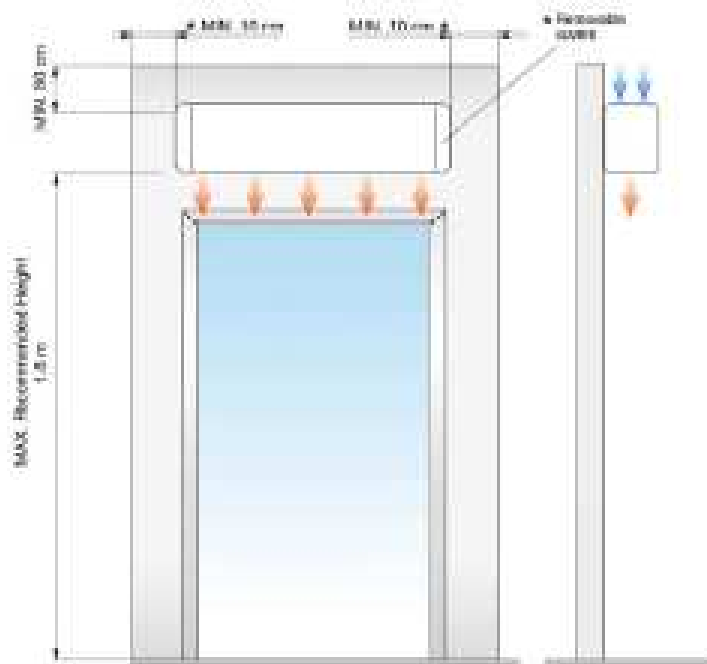
Injuries risk!



Danger! Do not step under hanging load.



Important information



Power Supply

The air curtains are supplied with a hose-cable of 1,5 m length (without plug), Ready to be connected to a connections box. It can be connected to a socket.

Mounting

The air curtain is provided with 8 suspension points: 4 located at the back to be fixed to the wall and 4 on the top to be fixed to the ceiling (see exact situation in the air curtains characteristics page). The anchor should be managed according to each unit weight shown on the technical data page. See available supports on accessories page).

The minimum recommended distance between the inlet grille and any other object is of 80 mm. see the minimum distances according to the diagram above.



Installation work, electrical wiring and mechanical maintenance must be done by qualified persons observing these instructions. Each unit should be able to be disconnected according to the applied norms.



To connect the air curtain there is no need to open the service door. The power supply connector and all necessary fixations are external.

Electrical heating

The air curtains with electrical heating are protected against overheating. If the internal temperature is over 100°C, the heating stops.

Storage and transport



Attention! Heavy load.
Do not step under hanging load during the transport or assembly.

Store in dry place and protected against the open air in its original packaging. In case the box is open, cover it against dust. Do not put heavy loads or step on over the packed unit and avoid distortion of casing or other damages.

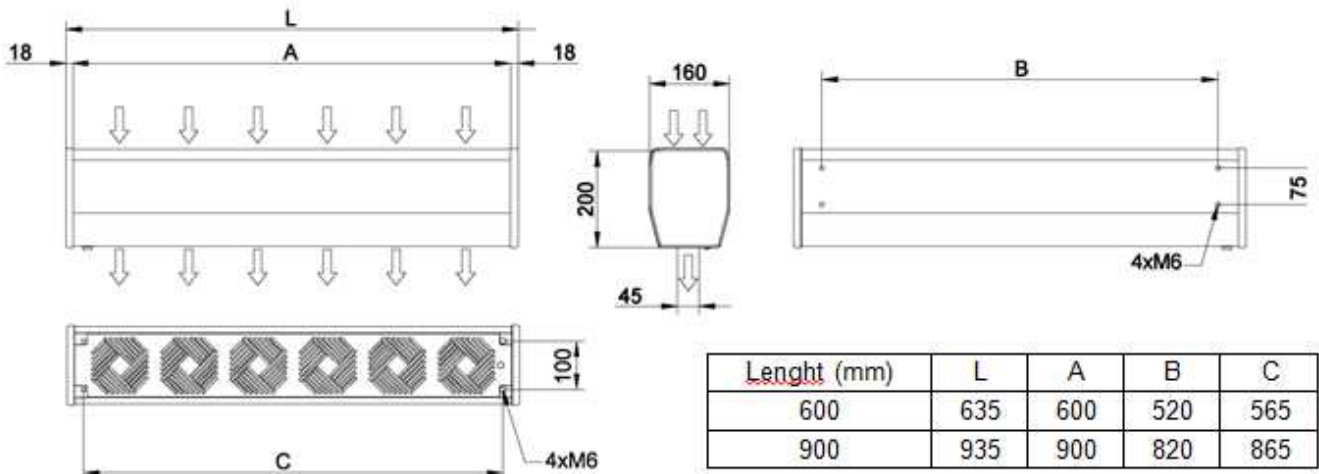
Storage temperatures are between -20°C and +40°C.

When carrying material, make sure it is not damaged by the forklift (fork penetration in the packaging). Please observe the packaging instructions.

CHARACTERISTICS



- Self-supporting case construction made of galvanized steel, painted epoxy-polyester structural grey colour RAL 7047.
- Axial fans of compact construction and flat profile.
- "A" type is without heating, only air. "E" types with heating, include electrical shielded batteries.
- Lineal blow-out jets with anodized aluminium lamellas, airfoil type.
- Integrated switches for ventilation and heating control.
- Connection cable of 1,5m length included.



Lenght (mm)	Voltage (V)	I max (A)	Power (W)	Fan power (W)	Fan current (A)	Airflow (m3/h)	Noise level (dB)	Weight (Kg)
600	230 V mono	11	2500	112	0.8	400	47	9,5
900	230 V mono	14	3200	168	1.2	600	48	14

WORKING INSTRUCTIONS

air curtains have one ventilation speed, and the ones with heating have also one heating stage.

The air curtains have a switch to control the ventilation and heating functions.



1 switch with three positions: OFF, ventilation, ventilation + heating.

MAINTENANCE INSTRUCTIONS

Air curtains don't need any kind of maintenance except the cleaning of the casing and the inlet grille.

The inlet grille prevents the entrance of strange objects in the internal parts.

The casing of the air curtain can be cleaned with a wet cloth and non aggressive detergent. Do not use caustic soap, dissolvent or acids.



Do not use water or steam for cleaning the internal parts and components of the air curtain.



*It is forbidden to open the service door in operation (risk of electrical discharge and being trapped in fans).
Service and maintenance should be done only by skilled and introduced workers.*

	
Model Modelo	M 1500 E
Airflow Caudal	2775 m ³ /h
Blowers Ventiladores	3,57 A 0,804 kW 230 V/50Hz
Heating capacity Capacidad de calentamiento	
Water Coil Bobina de Agua	80/60 °C 60/40 °C
Electric Coil Bobina Eléctrica	40/12 kW 230 V/50Hz
Serial Number Número de Serie	2604 / 29 852

Air curtain identification:

Each air curtain is identified by a unique serial number printed in a label located inside the door service.

There is also indicated the model and their technical characteristics (flow, fans technical characteristics and power heating)

It is indispensable to have this number to facilitate possible replacements or technical information of the air curtain in question

GUARANTEE

Your air curtain is guaranteed for a period of one year from the date of purchase. We will adjust, repair or replace at our discretion from our warehouse any defect, system failure or part found to be defective. The assembly cost out of our warehouse is at buyer expense. The products that, in our eyes, have been inadequately used, incorrectly manipulated, improperly installed, connected to different nominal tensions, modified, repaired by non-authorized workers or that have suffered damages during transport are totally excluded from the guarantee.

To validate the guarantee it should be correctly filled and enclosed with the invoice that vouches for the buying date. If it is manipulated, it will lose all validity.

It is the buyer's responsibility to take the necessary safety measures because in case of a failure or mistake in one of our products, no damages to third parties, sets or installations will occur.

Guarantee draft

Air curtains data:

Model: Series number:

Invoice date: Invoice number:

Buyer data:

Name:

Address:

Country: Phone: Fax:

Seller data:

Name:

Address:

Country: Phone: Fax:

Buyer signature and stamp

Seller signature and stamp