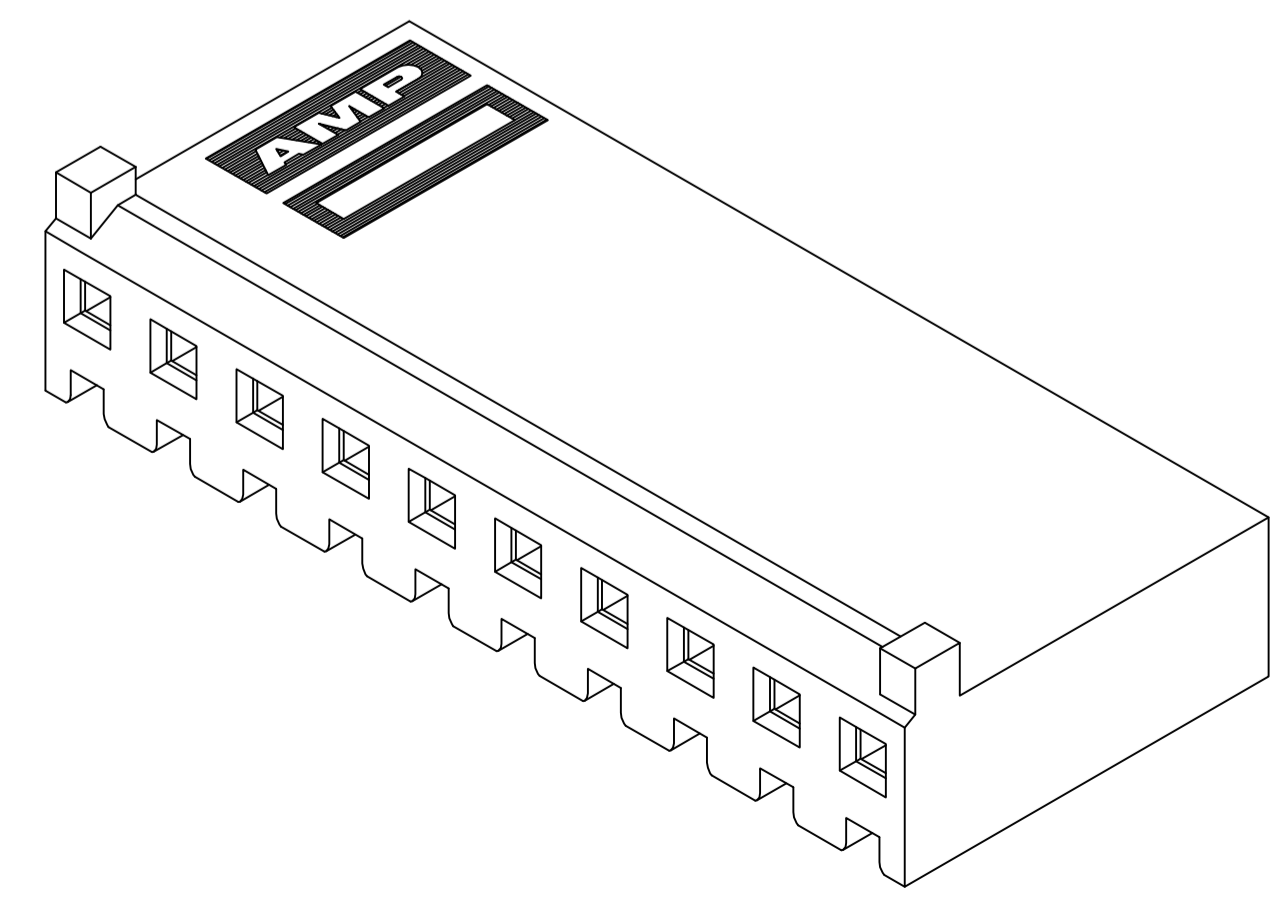
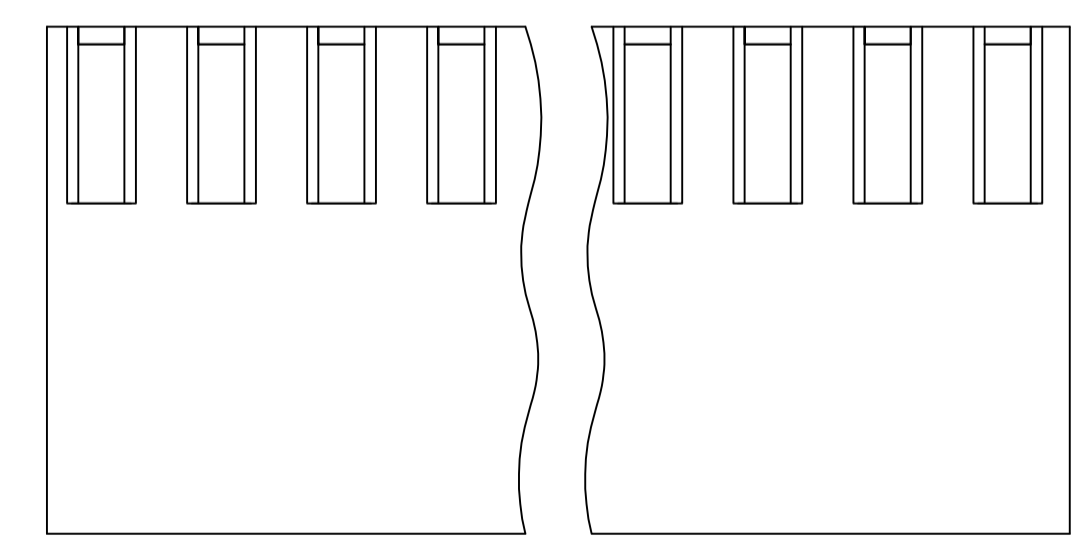
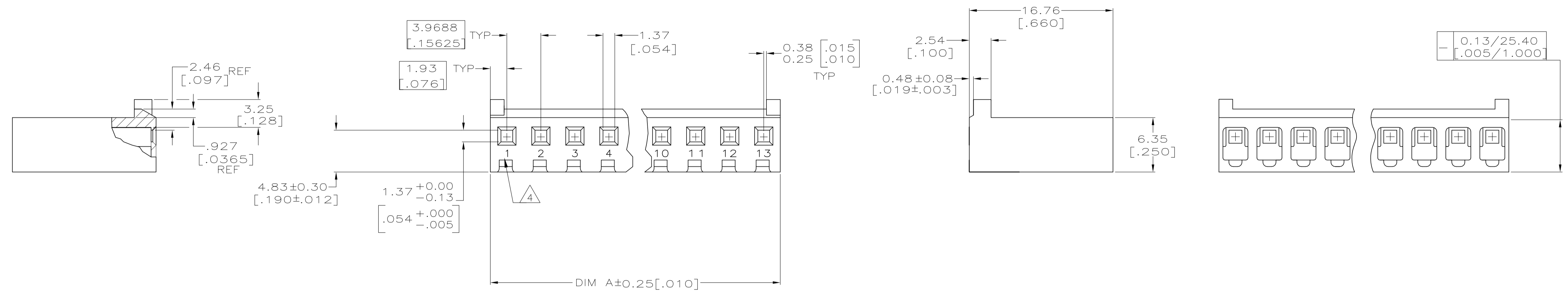
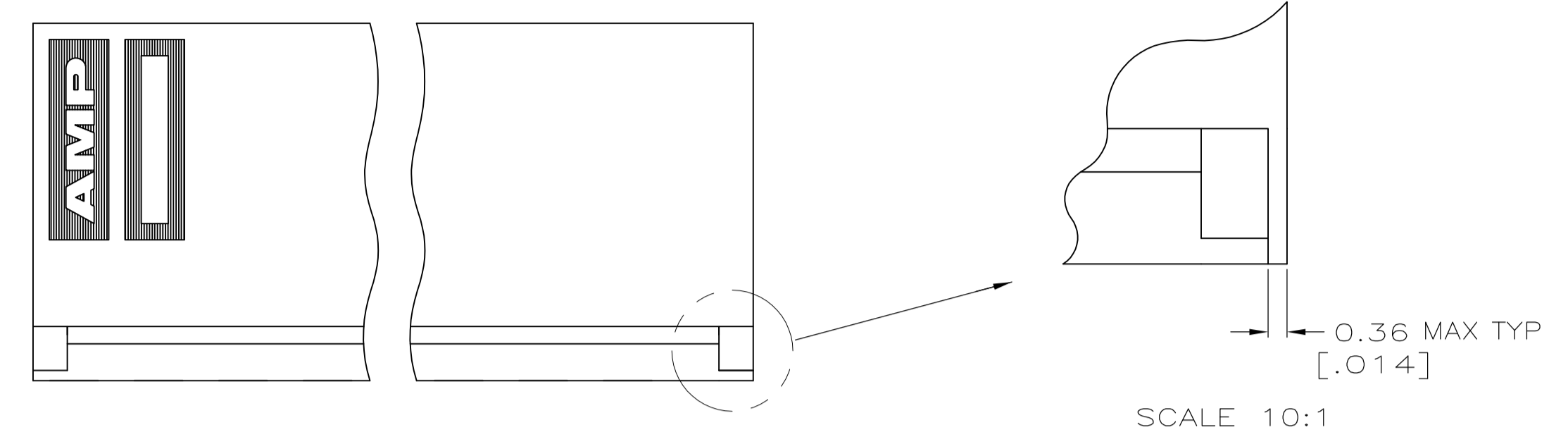


| LOC | | DIST | | REVISIONS | | | |
|-----|-----|---------------------------|-----------|-----------|------|--|--|
| P | LTR | DESCRIPTION | DATE | DMN | APVD | | |
| P2 | | REVISED PER ECR-18-001172 | 26FEB2018 | BDA | SG | | |

- 1 UNIT ACCEPTS 1.14[.045] SQUARE OR ROUND POST.
- 2 UNIT ACCEPTS STANDARD SL-156 CONTACTS.
- 3 UNIT ACCEPTS KEYING PLUG 640254-1 AND KEYING PIN 640255-1.
- 4 IDENTIFICATION NUMBER FOR ALL POSITIONS, OR FOR POSITION 1 ONLY, WILL BE LOCATED AS SHOWN.
- 5 DIMENSIONS IN BRACKETS ARE IN INCHES.
- 6 PARTS UNDERGOING QUALIFICATION TESTING NO CSA/UR LOGO



| 6 | COLOR | DIM A | NO OF POSN | PART NUMBER |
|---|---------|--------------|------------|-------------|
| | YELLOW | 7.82 [.308] | 2 | 8-770849-2 |
| | BROWN | 7.82 [.308] | 2 | 7-770849-2 |
| | BLUE | 7.82 [.308] | 2 | 6-770849-2 |
| | RED | 7.82 [.308] | 2 | 5-770849-2 |
| | GRAY | 7.82 [.308] | 2 | 4-770849-2 |
| | BLACK | 7.82 [.308] | 2 | 3-770849-2 |
| | NATURAL | 95.15[3.746] | 24 | 2-770849-4 |
| | NATURAL | 91.19[3.590] | 23 | 2-770849-3 |
| | NATURAL | 87.20[3.433] | 22 | 2-770849-2 |
| | NATURAL | 83.24[3.277] | 21 | 2-770849-1 |
| | NATURAL | 79.27[3.121] | 20 | 2-770849-0 |
| | NATURAL | 75.31[2.965] | 19 | 1-770849-9 |
| | NATURAL | 71.30[2.807] | 18 | 1-770849-8 |
| | NATURAL | 67.34[2.651] | 17 | 1-770849-7 |
| | NATURAL | 63.40[2.496] | 16 | 1-770849-6 |
| | NATURAL | 59.44[2.340] | 15 | 1-770849-5 |
| | NATURAL | 55.45[2.183] | 14 | 1-770849-4 |
| | NATURAL | 51.49[2.027] | 13 | 1-770849-3 |
| | NATURAL | 47.52[1.871] | 12 | 1-770849-2 |
| | NATURAL | 43.56[1.715] | 11 | 1-770849-1 |
| | NATURAL | 39.57[1.558] | 10 | 1-770849-0 |
| | NATURAL | 35.61[1.402] | 9 | 770849-9 |
| | NATURAL | 31.65[1.246] | 8 | 770849-8 |
| | NATURAL | 27.69[1.090] | 7 | 770849-7 |
| | NATURAL | 23.70[.933] | 6 | 770849-6 |
| | NATURAL | 19.74[.777] | 5 | 770849-5 |
| | NATURAL | 15.77[.621] | 4 | 770849-4 |
| | NATURAL | 11.81[.465] | 3 | 770849-3 |
| | NATURAL | 7.82[.308] | 2 | 770849-2 |

1-770849-3 SHOWN

THIS DRAWING IS A CONTROLLED DOCUMENT.

DIMENSIONS: INCHES

TOLERANCES UNLESS OTHERWISE SPECIFIED:

| | |
|--------|---------------|
| 0. PLC | ± .005 |
| 1. PLC | ± .005 |
| 2. PLC | ± .005 |
| 3. PLC | ± .013 [.005] |
| 4. PLC | ± .005 |
| ANGLES | ± .005 |

MATERIAL: NYLON, UL 94V-0 NATURAL

FINISH: -

STE TE Connectivity

HOUSING WITH LOCKING RAMP AND POLARIZING TABS, SL-156

SIZE: A1

WEIGHT: 00779

DRAWING NO: 770849

SCALE: 4:1

SHEET: 1 OF 1

REV: P2