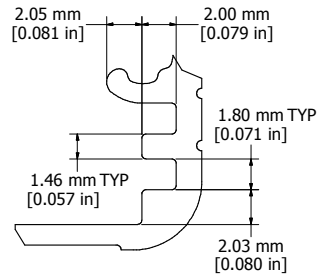
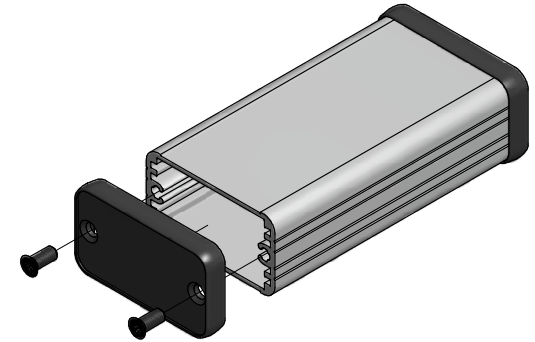


EXTRUSION PROFILE

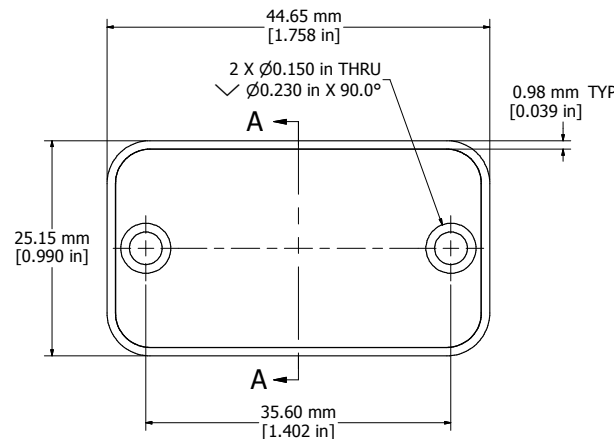
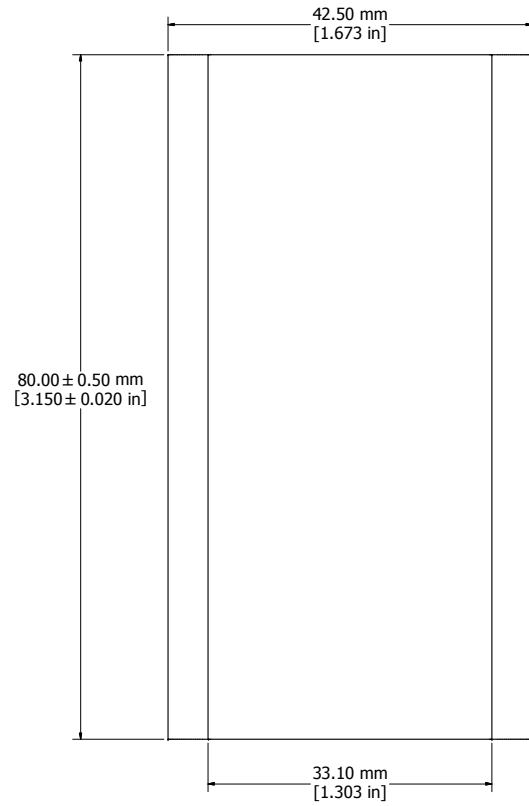


DETAIL A

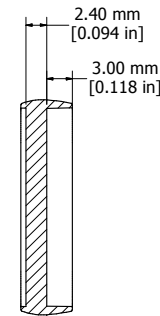


EXPLODED ASSEMBLY VIEW

****DESIGNED FOR 39MM WIDE PC BOARD****



CLOSED BEZEL



SECTION A-A

Enclosures can be Factory Modified (Milling, Drilling, Printing etc.)
 Contact Factory mjm@hammondmfg.com for quotes
 Solid models of this enclosure available in STEP or IGES.

NOTE	
Purchased assembly includes box, plastic bezels, Custom #6 Taptight screws and self adhesive rubber feet	
Box made from Extruded Aluminum 6063-T5	
Bezels made with polycarbonate.	
1455D802	
PART NUMBERS	
Clear Anodized	1455D802
Black Anodized	1455D802BK
ACCESSORIES	
See website for accessories.	

1455D802
www.hammondmfg.com