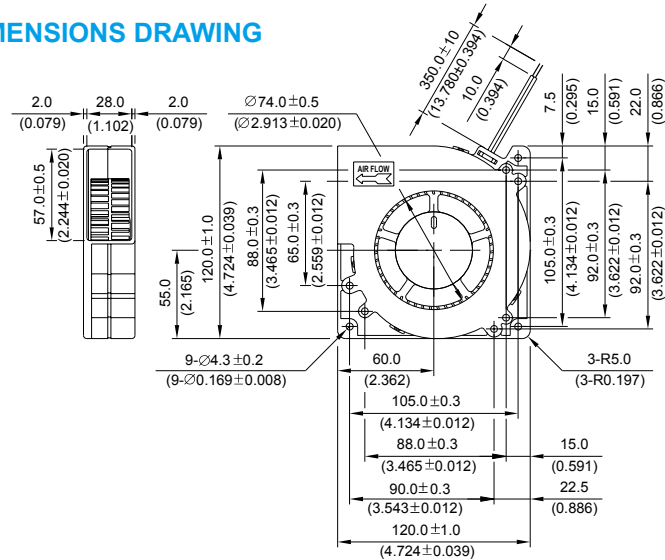
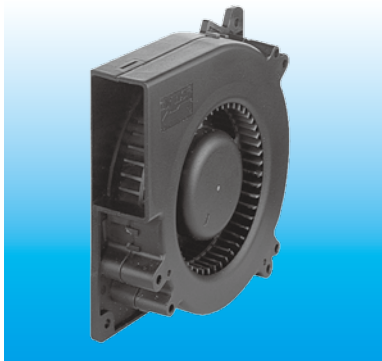


# BFB 120 x 120 x 32 MM SERIES

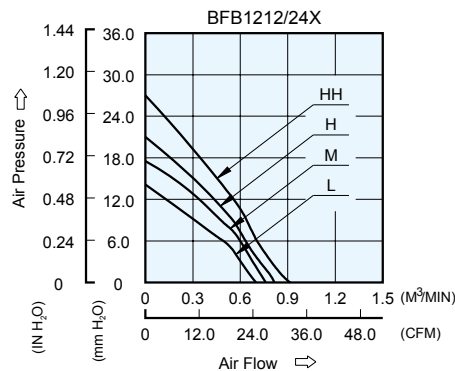
## DIMENSIONS DRAWING



UNIT :  $\frac{\text{mm}}{\text{(INCH)}}$

- \* Bearing Type  
Ball Bearings
- \* Material  
Impeller & Frame : Plastic (UL 94V-0)
- \* Lead Wires :  
UL 1007 AWG #24 OR Equivalent  
Red Wire Positive(+)  
Black Wire Negative(-)
- \* Weight : 230g (8.11 oz)

## P & Q CURVE (AT RATED VOLTAGE)

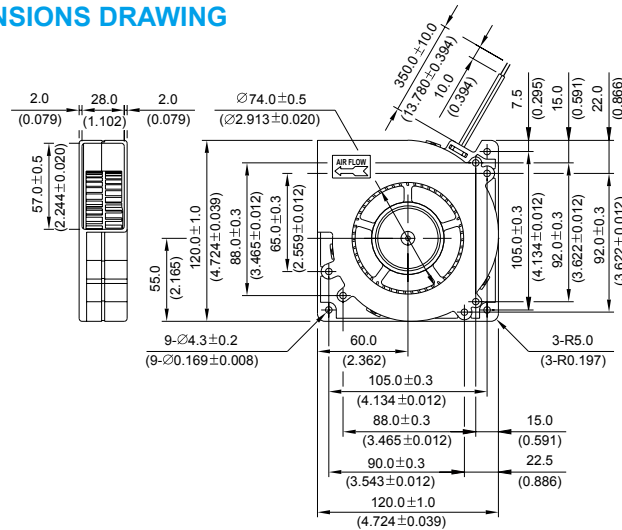
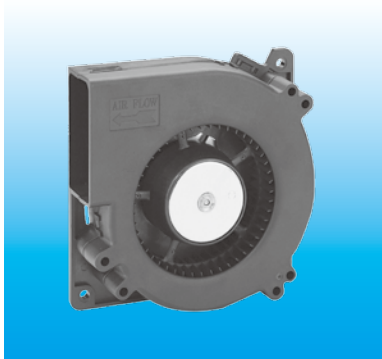


MODEL		Rated Voltage	Operating Voltage Range	Input Current	Input Power	Speed	Maximum Air Flow		Maximum Air Pressure		Noise
PART NO.	FUNCTION	VDC	VDC	Amp	Watt	R.P.M.	m <sup>3</sup> /min	CFM	mmH <sub>2</sub> O	IN H <sub>2</sub> O	dB-A
BFB1212L	-R00 / -F00	12	4.0 to 13.8	0.40	4.80	2100	0.699	24.70	14.00	0.551	47.0
BFB1224L	-R00 / -F00	24	7.0 to 27.6	0.24	5.76						
BFB1212M	-R00 / -F00	12	4.0 to 13.8	0.58	6.96	2300	0.760	26.85	17.50	0.689	48.5
BFB1224M	-R00 / -F00	24	7.0 to 27.6	0.28	6.72						
BFB1212H	-R00 / -F00	12	4.0 to 13.8	0.82	9.84	2500	0.821	29.00	21.00	0.827	51.0
BFB1224H	-R00 / -F00	24	7.0 to 27.6	0.35	8.40						
BFB1212HH	-R00 / -F00	12	4.0 to 13.8	1.10	13.20	2800	0.920	32.49	27.00	1.063	54.0

\* Function type is optional.  
 \* The max. air flow and the speed are measured in free air ; max. air pressure is measured at zero air flow.  
 \* Noise is measured in anechoic chamber in free air, one meter from intake side.  
 \* All readings are typical values at rated voltage.  
 \* Specifications are subject to change without notice.

# BFB 120 x 120 x 32 MM SERIES

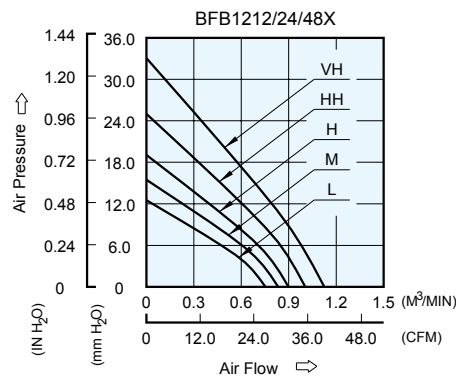
## DIMENSIONS DRAWING



UNIT :  $\frac{\text{mm}}{(\text{INCH})}$

- \* Bearing Type  
Ball Bearings
- \* Material  
Impeller & Frame : Plastic (UL 94V-0)
- \* Lead Wires :  
UL 1007 AWG #24 OR Equivalent  
Red Wire Positive(+)  
Black Wire Negative(-)
- \* Weight : 230g (8.11 oz)

## P & Q CURVE (AT RATED VOLTAGE)

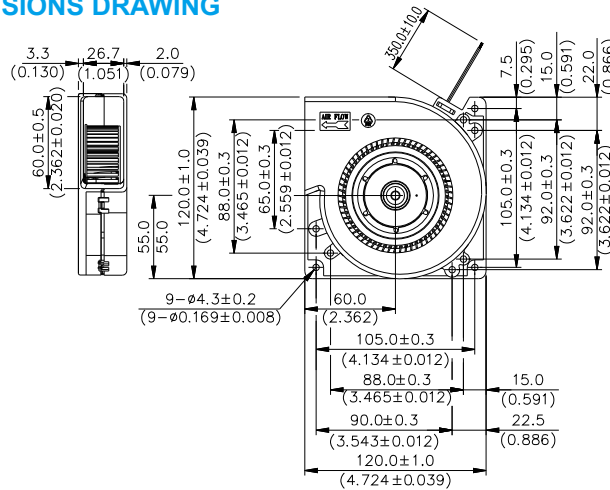
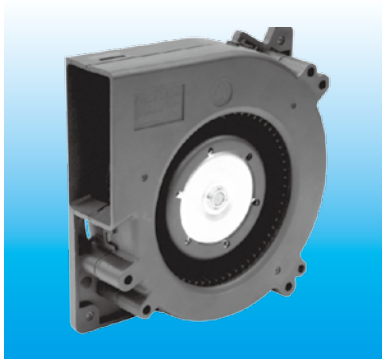


MODEL		Rated Voltage	Operating Voltage Range	Input Current	Input Power	Speed	Maximum Air Flow		Maximum Air Pressure		Noise
PART NO.	FUNCTION	VDC	VDC	Amp	Watt	R.P.M.	m <sup>3</sup> /min	CFM	mmH <sub>2</sub> O	IN H <sub>2</sub> O	dB-A
BFB1248L	-R00 / -F00	48	28.0 to 56.0	0.09	4.32	2100	0.750	26.49	12.50	0.492	47.0
BFB1248M	-R00 / -F00	48	28.0 to 56.0	0.12	5.76	2300	0.830	29.31	15.50	0.610	48.5
BFB1248H	-R00 / -F00	48	28.0 to 56.0	0.15	7.20	2500	0.890	31.43	19.00	0.748	51.0
BFB1224HH	-R00 / -F00	24	7.0 to 27.6	0.54	12.96	2800	1.000	35.31	25.00	0.984	54.0
BFB1248HH	-R00 / -F00	48	28.0 to 56.0	0.22	10.56						
BFB1212VH	-R00 / -F00	12	4.0 to 13.8	1.25	15.00	3100	1.120	39.55	33.00	1.299	56.5
BFB1224VH	-R00 / -F00	24	7.0 to 27.6	0.60	14.40						

\* Function type is optional.  
 \* The max. air flow and the speed are measured in free air ; max. air pressure is measured at zero air flow.  
 \* Noise is measured in anechoic chamber in free air, one meter from intake side.  
 \* All readings are typical values at rated voltage.  
 \* Specifications are subject to change without notice.

# BFB 120 x 120 x 32 MM SERIES

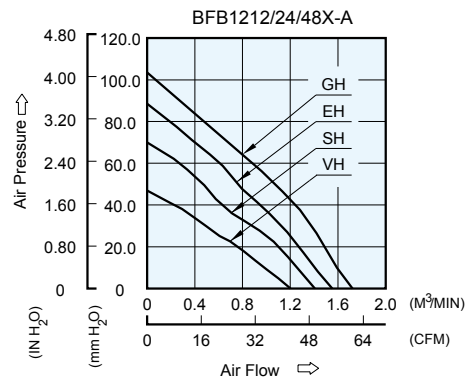
## DIMENSIONS DRAWING



UNIT :  $\frac{\text{mm}}{\text{(INCH)}}$

- \* Bearing Type  
Ball Bearings
- \* Material  
Impeller & Frame : Plastic (UL 94V-0)
- \* Lead Wires :  
UL 1430 AWG #22 OR Equivalent  
Red Wire Positive(+)  
Black Wire Negative(-)
- \* Weight : 295.0g (10.40 oz)

## P & Q CURVE (AT RATED VOLTAGE)



MODEL			Rated Voltage	Operating Voltage Range	Input Current	Input Power	S peed	Maximum Air Flow		Maximum Air Pressure		Noise
PART NO.	REV.	FUNCTION	VDC	VDC	Amp	Watt	R.P.M.	m <sup>3</sup> /min	CFM	mmH <sub>2</sub> O	IN H <sub>2</sub> O	dB-A
BFB1212VH	-A	R00 / F00	12	5.5 to 13.8	1.47	17.64	3100	1.203	42.47	46.94	1.848	57.0
BFB1224VH	-A	R00 / F00	24	14.0 to 27.6	0.70	16.80						
BFB1248VH	-A	R00 / F00	48	24.0 to 56.0	0.37	17.39						
BFB1212SH	-A	R00 / F00	12	5.5 to 13.0	1.75	21.00	3600	1.406	49.67	69.95	2.754	59.5
BFB1224SH	-A	R00 / F00	24	14.0 to 27.6	0.90	21.60						
BFB1248SH	-A	R00 / F00	48	24.0 to 56.0	0.49	23.52						
BFB1212EH	-A	R00 / F00	12	5.5 to 13.0	2.37	28.44	4000	1.553	54.85	88.51	3.485	62.0
BFB1224EH	-A	R00 / F00	24	14.0 to 27.6	1.12	26.88						
BFB1248EH	-A	R00 / F00	48	24.0 to 56.0	0.61	29.28						
BFB1212GH	-A	R00 / F00	12	5.5 to 13.2	3.30	39.60	4400	1.710	60.39	104.00	4.094	65.0
BFB1224GH	-A	R00 / F00	24	14.0 to 27.6	1.60	38.40						
BFB1248GH	-A	R00 / F00	48	24.0 to 53.0	0.80	38.40						

\* Function type is optional.  
 \* The max. air flow and the speed are measured in free air ; max. air pressure is measured at zero air flow.  
 \* Noise is measured in anechoic chamber in free air, one meter from intake side.  
 \* All readings are typical values at rated voltage.  
 \* Specifications are subject to change without notice.

# Mouser Electronics

Authorized Distributor

Click to View Pricing, Inventory, Delivery & Lifecycle Information:

## Delta Electronics:

[BFB1248GH-AF00](#) [BFB1212EH-A](#) [BFB1212GH-A](#) [BFB1248GH-A](#) [BFB1224GH-AF00](#) [BFB1248EH-AR00](#)  
[BFB1224EH-AF00](#) [BFB1224VH-A](#) [BFB1248VH-A](#) [BFB1248EH-AF00](#) [BFB1248SH-AR00](#) [BFB1212GH-AR00](#)  
[BFB1212VH-A](#) [BFB1248SH-A](#) [BFB1212SH-A](#) [BFB1224VH-AR00](#) [BFB1224GH-A](#) [BFB1248EH-A](#) [BFB1248SH-AF00](#)  
[BFB1212GH-AF00](#) [BFB1224EH-AR00](#) [BFB1212EH-AR00](#) [BFB1224SH-A](#) [BFB1224SH-AR00](#) [BFB1248VH-AF00](#)  
[BFB1248GH-AR00](#) [BFB1212SH-AR00](#) [BFB1224VH-AF00](#) [BFB1224GH-AR00](#) [BFB1224SH-AF00](#) [BFB1212EH-AF00](#)  
[BFB1212SH-AF00](#) [BFB1248VH-AR00](#) [BFB1224EH-A](#) [BFB1212VH-AF00](#) [BFB1212VH-AR00](#) [BFB1248HH-R00](#)  
[BFB1248HH](#) [BFB1248HH-F00](#) [BFB1212HH-R00](#) [BFB1224VH](#) [BFB1248H-F00](#) [BFB1212VH](#) [BFB1212VH-R00](#)