

Convenient small case - flexible enough for all your requirements

- To accommodate standardised and non-standardised PCBs
- As desktop enclosure, for bolting (e.g. to a mounting plate) or for mounting on DIN support rail (DIN 43880)
- High level of heat dissipation through large aluminium surface of case
- High stability
- Type of protection: IP 40

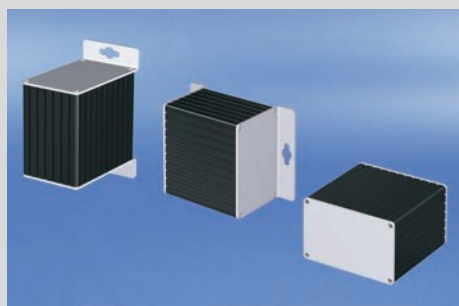


04811014

Trapezium shape

- Accommodates up to 3 PCBs of different heights - 50, 60 or 65 mm and board depth 100 or 160 mm
- As desktop enclosure, for wall mounting or for mounting on DIN support rail (DIN 43880)

Trapezium shape 7.100



04812002

Rectangular shape

- Accommodates up to 4 standardised PCBs in euroboard format, height 100 mm (3 U) or up to 8 non-standardised PCBs, height 60 mm and board depth 160 mm
- Versions as desktop enclosure or for wall mounting

Rectagonal shape 7.101



30407004

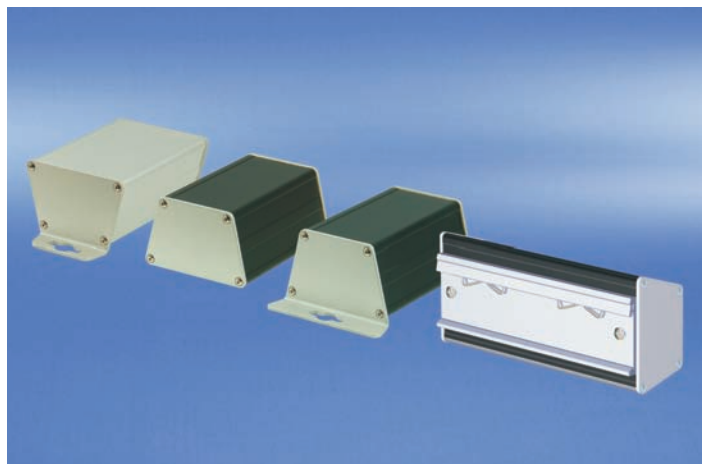
Individual cases in aluminium extrusion - our minipac variety to your specifications

- Other case lengths
- Other case shapes
- Cut-outs for lamps, switches, connectors, cable ducting, etc.
- Individual printing of cover plates
- Surface finish anodised or powder-coated

FRONT PANEL EXPRESS

30402151

Trapezium shape



04812004

- Accommodates 3 non-standardised PCBs (height 50, 60 and 65 mm, depth 100/160 mm)
- PCB thickness 1.6 mm, spacing 15.24 mm (3 HP)
- Different versions
 - Wall mounting
 - For mounting on a DIN support rail (DIN 43880)
 - Desktop version

NEW

Delivery comprises

Item	Qty	Description
1	1	Case, trapeziform, Al extrusion
2	2	Lateral cover plate, 2.5 mm, anodised
3	1	Fixing material kit, user manual

Order Information

Description	Length mm	Part no.
Case, trapeziform, Al extrusion, black anodised; lateral cover plates anodised, thickness 2.5 mm (no mounting option)	100.5	24814-008
Case, trapeziform, Al extrusion, black anodised, lateral cover plates anodised, thickness 2.5 mm (for wall mounting on long side of trapezoid)	100.5	24814-010
Case, trapeziform, Al extrusion, anodised; lateral cover plates anodised, thickness 2.5 mm (for wall mounting on short side of trapezium)	100.5	24814-011
Case, trapeziform, Al extrusion, black anodised; for DIN support rail mounting (DIN 43880); lateral cover plates anodised, thickness 2.5 mm (for mounting on a DIN support rail, DIN 43880)	160.5	24814-014

Accessories

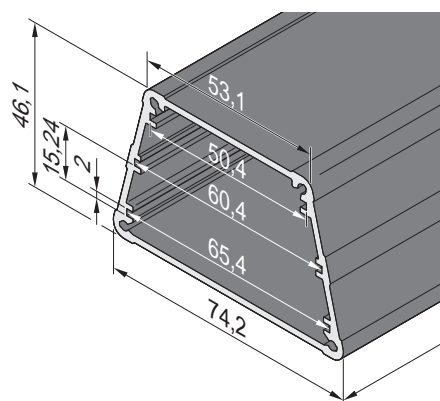
Rubber foot for desktop version, PU 4 pieces	21102-025
--	-----------

Note

- **On request:**
 - Other case lengths
 - Cut-outs for LEDs, switches, connectors or couplings (USB, SUB-D)
 - Individual printing on cover plate

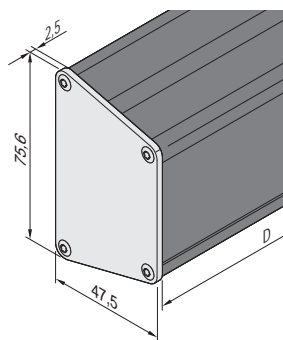


For further information www.schroff.biz/oneclick
oneClick search code = Part no.



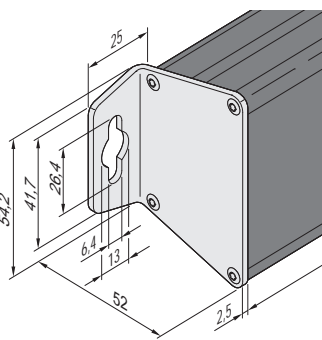
04811053

Dimensions of body tube



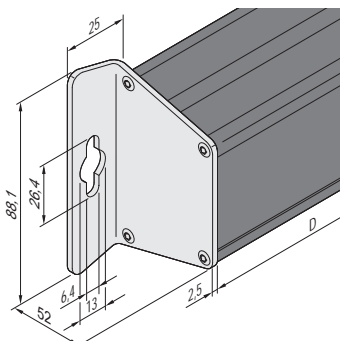
04812053

Desktop version



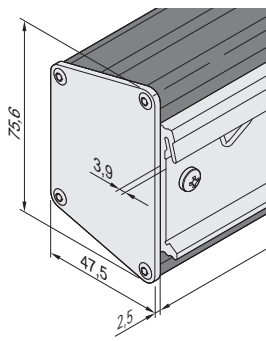
04812052

Wall mounting (on short side of trapezoid)



04812051

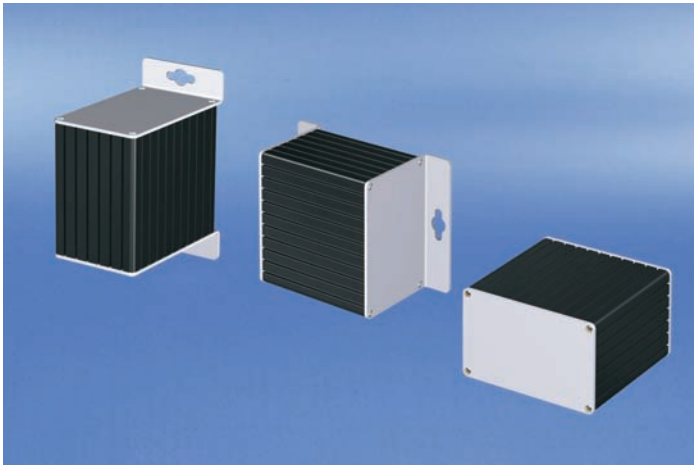
Wall mounting (on long side of trapezoid)



04812057

For mounting on a DIN support rail (DIN 43880)

Rectangular shape



04812002

- Accommodates 4 standardised PCBs (height 100 mm, depth 160 mm) or rotated by 90° to accommodate 8 non-standardised PCBs (height 60 mm, depth 160 mm)
- PCB thickness 1.6 mm, spacing 15.24 mm (2 HP)
- Different versions
 - Wall mounting
 - Desktop version

NEW

Delivery comprises

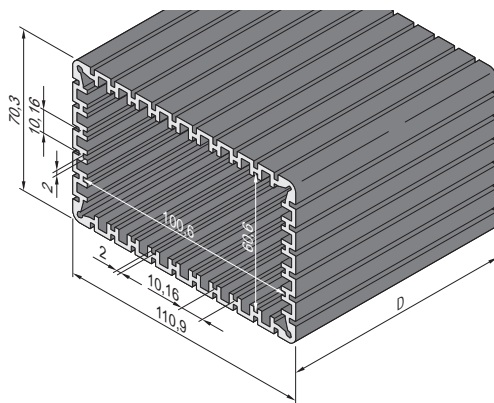
Item	Qty	Description
1	1	Case, rectangular, Al extrusion
2	2	Lateral cover plate, 2.5 mm, anodised
3	1	Fixing material kit, user manual

Order Information

Description	Length mm	Part no.
Case, rectangular, Al extrusion, black anodised; lateral cover plates anodised, thickness 2.5 mm (desktop version)	160.5	24814-024
Case, rectangular, Al extrusion, anodised; lateral cover plates anodised, thickness 2.5 mm (for wall mounting on long side)	160.5	24814-025
Case, rectangular, Al extrusion, anodised; lateral cover plates anodised, thickness 2.5 mm (for wall mounting on short side)	160.5	24814-027

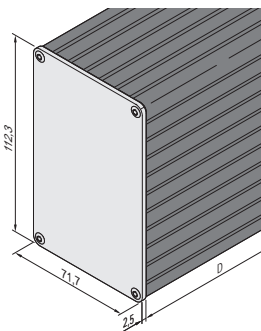
Accessories

Rubber foot for desktop version, PU 4 pieces	21102-025
--	-----------



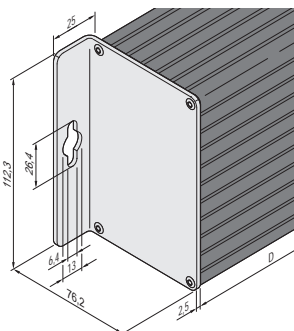
04812050

Dimensions of body tube



04812056

Desktop version



04812055

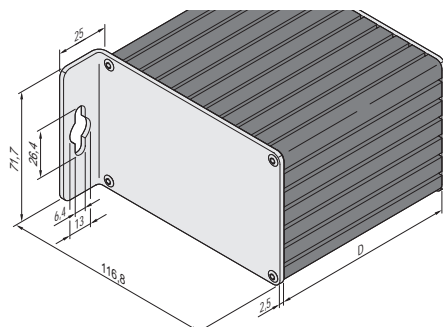
Wall mounting (on long side of rectangle)

Note

- On request:
 - Other case lengths
 - Cut-outs for LEDs, switches, connectors or couplings (USB, SUB-D)
 - Individual printing on cover plate



For further information www.schroff.biz/oneclick
oneClick search code = Part no.



04812054

Wall mounting (on short side of rectangle)