

**Mini, 7/8"-Round-Plug Connector, Double-Ended Cordsets, Automotive Color Code**

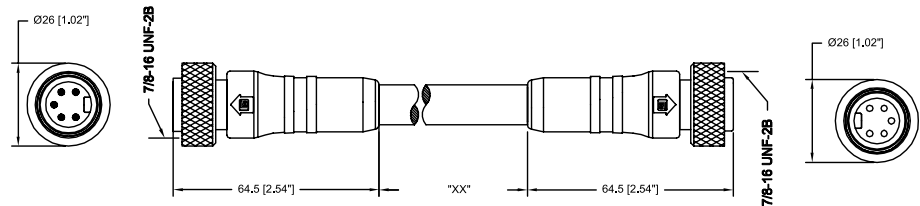
RSRK 301...501 | RSRKW 301...501



**3- and 5-Poles**

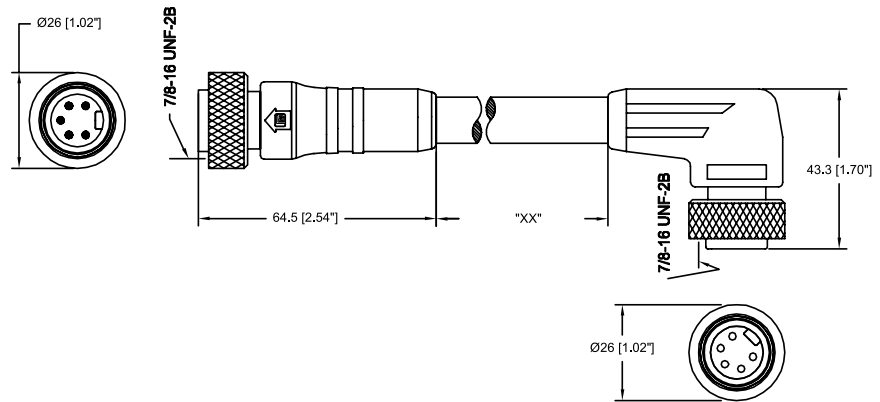
Mini, 7/8" double-ended cordsets, male to female straight, 3- and 5-poles with molded cable, Automotive color code.

**RSRK**



Mini, 7/8" double-ended cordsets, male straight to female 90°, 3- and 5-poles with molded cable, Automotive color code.

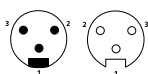
**RSRKW**



**Pin Assignments**

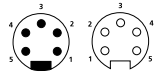
**Mini, 7/8" - Male / Female**

**3 poles**



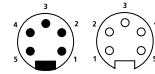
- 1 = green
- 2 = red w/black tr.
- 3 = red w/white tr.

**5 poles (742)**



- 1 = red w/white tr.
- 2 = red
- 3 = green
- 4 = red w/orange tr.
- 5 = red w/black tr.

**5 poles (755)**



- 1 = red w/white tr.
- 2 = red
- 3 = green
- 4 = red w/yellow tr.
- 5 = red w/black tr.



# Be Certain with Belden

## Mini, 7/8"-Round-Plug Connector, Double-Ended Cordsets, Automotive Color Code RSRK 301...501 | RSRKW 30...50

### Technical Data

**Environmental**  
 Degree of protection IP 67 / NEMA 6P  
 Operating temperature range -40°C (-40°F) / +90°C (194°F)

**Mechanical**  
 Housing / Molded body TPU, yellow  
 Insert TPU, yellow  
 Contact CuZn, gold over silver plated  
 Coupling nut Aluminum, anodized black

**Electrical**  
 Current rating 688/741/742: 8 A  
 755: 5.6 A  
 Voltage rating 741/742: 600 V  
 688/755: 300 V

### Cable Specifications - Automotive Color Code

Cable No.	Outer Jacket	Gauge	Jacket Color	OD	Temperature Rating	Agency Approvals
688	PVC	18AWG	Yellow	.290" (7.4 mm)	-40°C (-40°F) to +105°C (221°F)	UL: AWM2661
741	TPE	16AWG	Yellow	.390" (9.9 mm)	-40°C (-40°F) to +105°C (221°F)	UL: SEOOW / CSA: STOOW
742	TPE	16AWG	Yellow	.495" (12.6 mm)	-40°C (-40°F) to +105°C (221°F)	UL: SEOOW / CSA: STOOW
755	TPE	18AWG	Yellow	.333" (8.5 mm)	-40°C (-40°F) to +90°C (194°F)	UL: PLTC / CSA: AWM I/II, A/B

Part Number	Pins	Outer Jacket	Standard Cable Lengths	Characteristics
RSRK 301-688/...F RSRKW 301-688/...F	3	PVC	6 F / 12 F / 15 F / 20 F / 30 F	
RSRK 301-741/...F RSRKW 301-741/...F	3	TPE	6 F / 12 F / 15 F / 20 F / 30 F	
RSRK 501-742/...F RSRKW 501-742/...F	5	TPE	6 F / 12 F / 15 F / 20 F / 30 F	
RSRK 501-755/...F RSRKW 501-755/...F	5	TPE	6 F / 12 F / 15 F / 20 F / 30 F	

Cordsets Double-Ended

# Mouser Electronics

Authorized Distributor

Click to View Pricing, Inventory, Delivery & Lifecycle Information:

## Lumberg Automation:

[RSRK 501-742/148F](#) [RSRK 301-741/120F](#) [RSRKW 301-741/3F](#) [RSRK 501-755/12F](#) [RSRK 501-742/180F](#) [RSRKW](#)  
[501-742/15F](#) [RSRK 501-755/3F](#) [RSRK 501-755/6F](#) [RSRK 301-741/30F](#) [RSRKW 301-741/20F](#) [RSRKW 501-742/30F](#)  
[RSRKW 301-741/12F](#) [RSRKW 501-742/6F](#) [RSRKW 301-741/30F](#) [RSRK 501-742/164F](#) [RSRK 501-742/20F](#) [RSRK](#)  
[301-741/70F](#) [RSRK 301-741/80F](#) [RSRK 501-742/8M](#) [RSRKW 501-742/12F](#) [RSRK 301-741/15F](#) [RSRKW 501-742/3F](#)  
[RSRK 501-755/125F](#) [RSRK 501-755/35F](#) [RSRKW 501-742/20F](#) [RSRK 501-742/15F](#) [RSRK 501-755/30F](#) [RSRK](#)  
[501-755/50F](#) [RSRK 501-742/115F](#) [RSRK 501-755/40F](#) [RSRK 301-741/100F](#) [RSRK 501-755/60F](#) [RSRK 501-742/30F](#)  
[RSRK 301-741/40F](#) [RSRK 501-755/75F](#) [RSRKW 301-741/1.5F](#) [RSRK 501-742/12F](#) [RSRKW 301-741/6F](#) [RSRK](#)  
[301-741/3F](#) [RSRK 301-741/50F](#) [RSRK 301-688/6F](#) [RSRK 501-742/3F](#) [RSRK 501-742/82F](#) [RSRK 501-742/132F](#)  
[RSRK 501-742/50F](#) [RSRK 501-742/60F](#) [RSRK 301-741/6F](#) [RSRK 501-742/40F](#) [RSRK 501-755/15F](#) [RSRK 501-](#)  
[742/6F](#) [RSRK 501-755/20F](#) [RSRK 501-742/9F](#) [RSRK 301-741/12F](#) [RSRK 301-741/20F](#) [RSRK 301-741/60F](#) [RSRK](#)  
[501-742/4M](#) [RSRKW 301-741/15F](#) [RSRK 501-755/9F](#) [RSRK 301-688/12F](#)