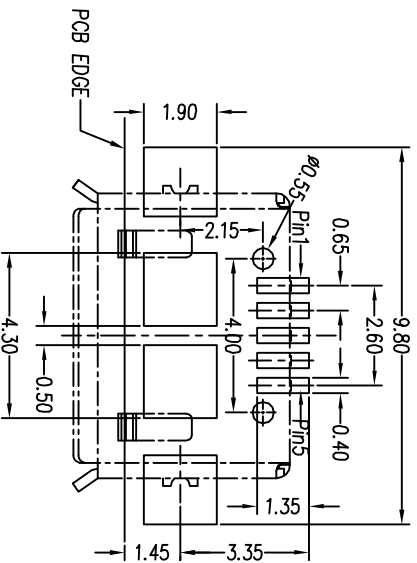
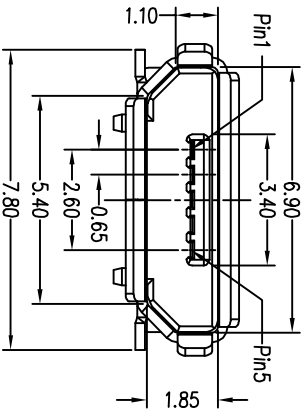
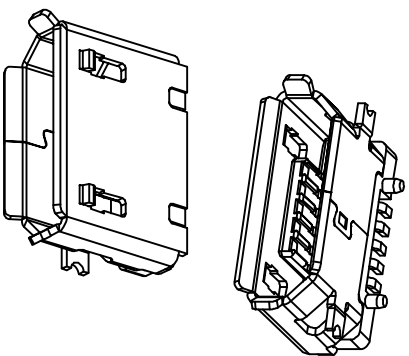
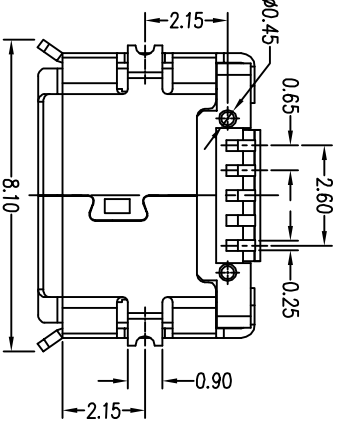
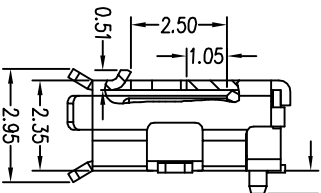
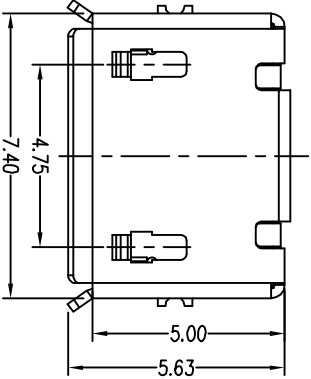
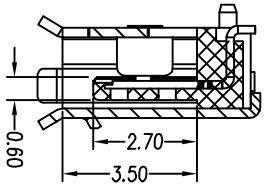
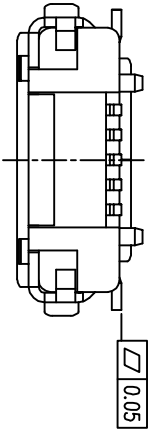


REV.	EQN NO	LOCATIONS	DESCRIPTION	DATE	REVISER	APPD



RECOMMENDED PCB LAYOUT

- Note:
1. Material:
- 1.1 Housing: High temperature thermoplastic with g.f; UL94V-0
  - 1.2 Contact: copper alloy, t=0.20mm
  - 1.3 Shell: copper alloy, t=0.25mm
2. Specification:
- 2.1 Current rating: 1 A Max.
  - 2.2 Dielectric withstanding voltage: 100 V(ac) for 1 min.
  - 2.3 Contact resistance: 50 mΩ Max.
  - 2.4 Insulation resistance: 100 MΩ Min.
  - 2.5 Total mating force: 3.57 Kgf Max.
  - 2.6 Total unmating force: 1.0 Kgf Min. 0.81~2.05 Kgf Min. after 10000 insertion/extraction cycles
  - 2.7 Temperature range: -30°C~80°C

Order Information:

1-MD055MXXX-01

① ② ③ ④ ⑤ ⑥ ⑦ ⑧ ⑨

- |                |           |                    |                  |
|----------------|-----------|--------------------|------------------|
| 1: Assy.       | 5: Style  | 7: Contact plating | 8: Shell plating |
| 2: Series No.  | M: Smt    | 1: 1u"             | T: Tin           |
| 3: Contact No. | 6: Color  | 2: 3u"             | N: Nickel        |
| 4: P: Plug     | B: Black  | 3: 5u"             | A: Au plated all |
| 5: Socket      | W: White  | 4: 15u"            | B: None          |
|                | N: Nature | 5: 30u"            | ...              |

No.	Nome	Q'ty	Finish
3	Shell	1	N/A
2	Contact	5	N/A
1	Housing	1	N/A

PART NO: 1-MD055MXXX-01	MATERIAL: SEE NOTE
MODEL NO:	FINSH: SEE NOTE
UNIT: mm	SIZE: A4
TOLERANCE UNSPECIFIED	
.x	±0.38
.xx	±0.25
.xxx	±0.13
ANG.	±2°
DR: ???	APP: ???
TITLE: Micro usb 5s B Type Smt有標註 CUSTOMER DRAWING	
DWG NO: A055	REV: A
SCALE: 1:1	SHEET: 2009/04/21

F

1

2

3

4

5

6

7

8

E

D

C

B

A

1

2

3

4

5

6

7

8