



## GYE55-XL-KRR-B

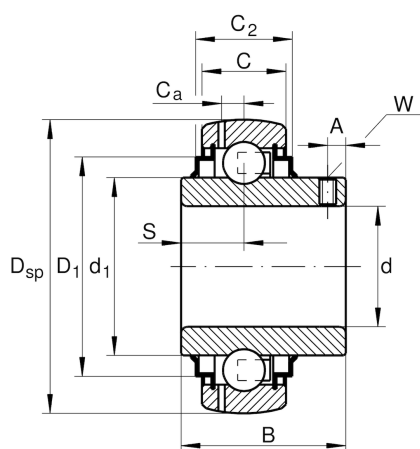
Radial insert ball bearing

Schaeffler ID:  
0009351310000

Radial insert ball bearings GYE..-KRR-B, spherical outer ring, location by grub screws, R seals on both sides

X-life

### Technical information



#### Main Dimensions & Performance Data

|                 |          |                                   |
|-----------------|----------|-----------------------------------|
| d               | 55 mm    | Bore diameter                     |
| D <sub>SP</sub> | 100 mm   | Outside diameter                  |
| B               | 55.6 mm  | Width                             |
| C <sub>r</sub>  | 43,500 N | Basic dynamic load rating, radial |
| C <sub>0r</sub> | 29,000 N | Basic static load rating, radial  |
| C <sub>ur</sub> | 1,240 N  | Fatigue load limit, radial        |
|                 | 1.03 kg  | Weight                            |

#### Dimensions

|                |         |                              |
|----------------|---------|------------------------------|
| C              | 25 mm   | Width, outer ring            |
| C <sub>2</sub> | 29 mm   | Sealing total width          |
| S              | 22.2 mm | Distance raceway             |
| d <sub>1</sub> | 69.8 mm | Rib diameter inner ring      |
| D <sub>1</sub> | 85.9 mm | Outside diameter seal        |
| C <sub>a</sub> | 7 mm    | Distance to lubrication hole |
| A              | 9 mm    | Distance thread              |
| W              | 4 mm    | Width of flats               |

#### Calculation factors

|                |      |                    |
|----------------|------|--------------------|
| f <sub>0</sub> | 14.2 | Calculation factor |
|----------------|------|--------------------|