



RCJY30-XL-N

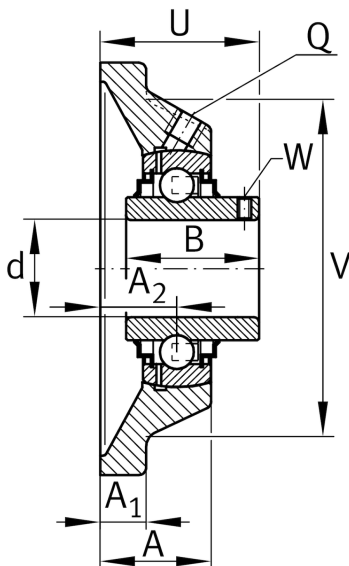
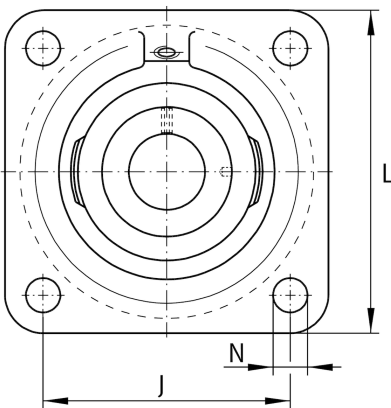
Flanged housing unit

Schaeffler ID:
0008645520000

Housing units RCJY, four-bolt flanged housing units, cast iron, grub screws in inner ring, R seals

X-life

Technical information



Main Dimensions & Performance Data

d	30 mm	Bore diameter
L	108 mm	Flange width
U	42,2 mm	Total height unit
C_r	19.500 N	Basic dynamic load rating, radial
C_{0r}	11.300 N	Basic static load rating, radial
C_{ur}	480 N	Fatigue load limit, radial
	1,1 kg	Weight

Mounting dimensions

J	82,5 mm	Distance fixing bore
N	11,5 mm	Fixing bore
n	4	Number of screwing holes

Dimensions

A_1	12 mm	Thickness of flange
A_2	20 mm	Distance raceway
B	38,1 mm	Width
Q	M6	Connection thread lubrication

Additional information

	GYE30-XL-KRR-B	Bearing designation
	KASK06	Protecting cap