



RCJTY40-XL-N

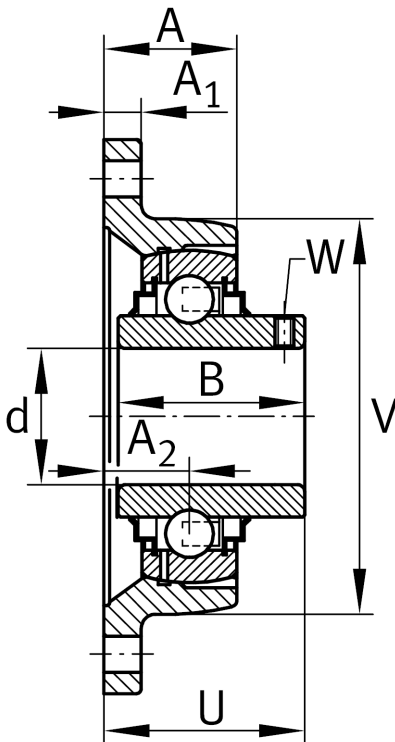
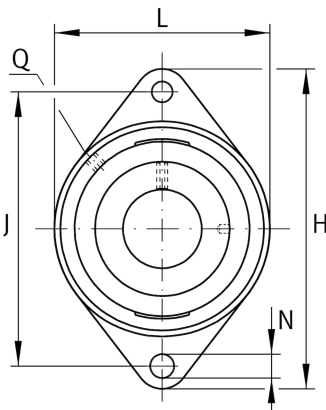
Flanged housing unit

Schaeffler ID:
0008645440000

Housing units RCJTY, two-bolt flanged housing units, cast iron, grub screws in inner ring, R seals

X-life

Technical information



Main Dimensions & Performance Data

| | | |
|----------|----------|-----------------------------------|
| d | 40 mm | Bore diameter |
| L | 105 mm | Flange width |
| H | 172 mm | Height flange |
| U | 54,2 mm | Total height unit |
| C_r | 34.500 N | Basic dynamic load rating, radial |
| C_{0r} | 19.800 N | Basic static load rating, radial |
| C_{ur} | 840 N | Fatigue load limit, radial |
| | 1,57 kg | Weight |

Mounting dimensions

| | | |
|---|----------|--------------------------|
| J | 143,5 mm | Distance fixing bore |
| N | 14 mm | Fixing bore |
| n | 2 | Number of screwing holes |

Dimensions

| | | |
|-------|---------|-------------------------------|
| A_1 | 13 mm | Thickness of flange |
| A_2 | 24 mm | Distance raceway |
| B | 49,2 mm | Width |
| Q | Rp1/8 | Connection thread lubrication |

Additional information

| | |
|----------------|---------------------|
| GYE40-XL-KRR-B | Bearing designation |
| KASK08 | Protecting cap |