



RATY25-XL

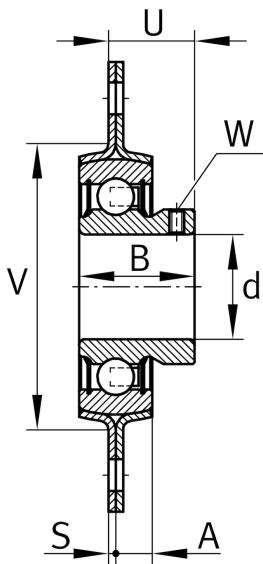
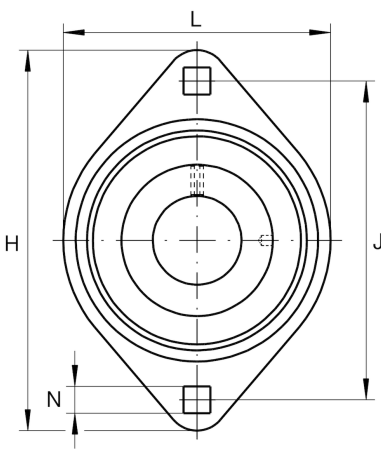
Flanged housing unit

Schaeffler ID:
0008640130000

Housing units RATY, two-bolt flanged housing units, sheet steel, grub screws in inner ring, P seals

X-life

Technical information



Main Dimensions & Performance Data

d	25 mm	Bore diameter
L	71 mm	Flange width
H	95,2 mm	Height flange
H	95,2 mm	Flange width
U	21,5 mm	Total height unit
C_r	14.000 N	Basic dynamic load rating, radial
C_{0r}	7.800 N	Basic static load rating, radial
C_{ur}	335 N	Fatigue load limit, radial
	0,25 kg	Weight

Mounting dimensions

J	76,2 mm	Distance fixing bore
N	8,7 mm	Fixing bore
N	8,7 mm	Fixing square
n	2	Number of screwing holes

Dimensions

B	27 mm	Width
S_1	2 mm	Thickness of flange
S	2 mm	Thickness of flange

Additional information

AY25-XL-NPP-B	Bearing designation
---------------	---------------------