



RCJTY20-XL-N

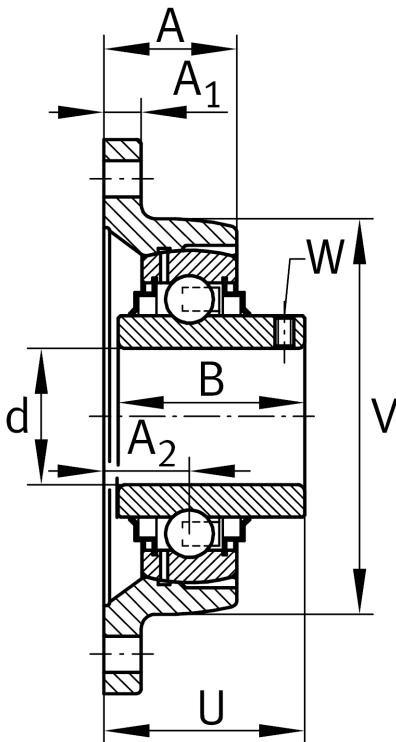
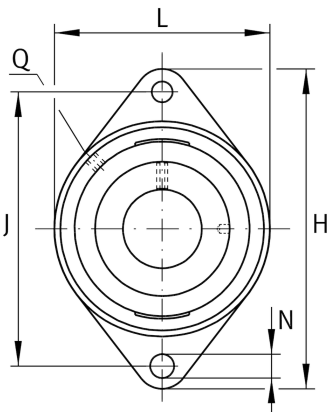
Flanged housing unit

Schaeffler ID:
0008585790000

Housing units RCJTY, two-bolt flanged housing units, cast iron, grub screws in inner ring, R seals

X-life

Technical information



Main Dimensions & Performance Data

d	20 mm	Bore diameter
L	61 mm	Flange width
H	112 mm	Height flange
U	37,3 mm	Total height unit
C_r	13.600 N	Basic dynamic load rating, radial
C_{0r}	6.600 N	Basic static load rating, radial
C_{ur}	345 N	Fatigue load limit, radial
	0,42 kg	Weight

Mounting dimensions

J	90 mm	Distance fixing bore
N	11,5 mm	Fixing bore
n	2	Number of screwing holes

Dimensions

A_1	10 mm	Thickness of flange
A_2	19 mm	Distance raceway
B	31 mm	Width
Q	M6	Connection thread lubrication

Additional information

GYE20-XL-KRR-B	Bearing designation
KASK04	Protecting cap